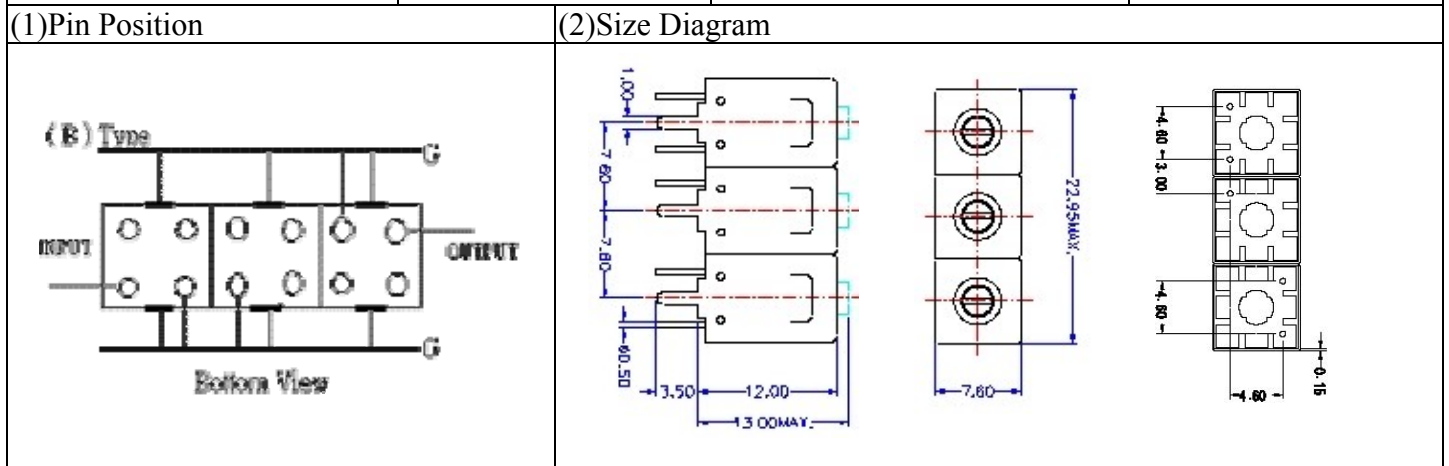


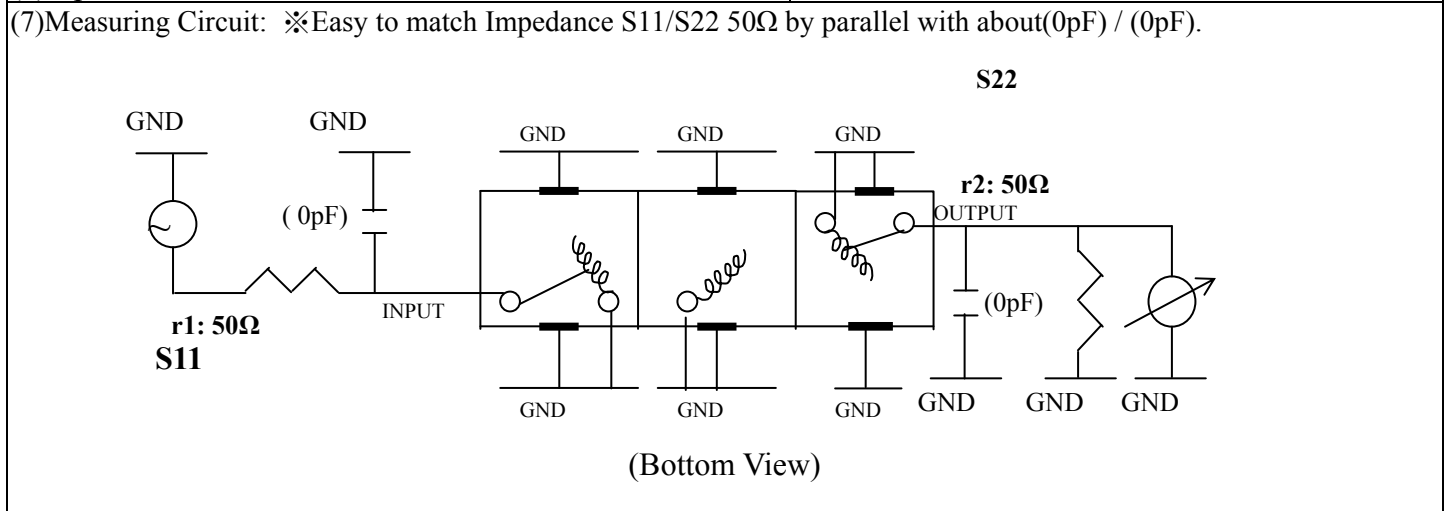
# VHF UHF Helical Filter Specification Sheet

Customer Name		Temwell's Part No.	TT67676B1-130M
Approval No. /dated	0806080CD	Customer's Print Name.	126~145M
Work Instruction No.	0806080CD	Date	Jul.07.2008



(3) Electric Characteristic		Item	Specify	Performance
Center Freq.(Fo ) +/- 0.5 %			130 MHz	130 MHz
Tunable Range:			130±2 MHz	130±2 MHz
Insertion Loss		Typ.	3.5 dB	2.26 dB
-3 dB Bandwidth		Typ.	8 MHz	9.5 MHz
Sensitivity (Attenuation)	Fo - (15) MHz	Typ.	27 dBc	30 dBc
	Fo + (15) MHz	Typ.	26 dBc	29 dBc
	Fo - ( ) MHz	Typ.	dBc	dBc
	Fo + ( ) MHz	Typ.	dBc	dBc
Return Loss		Min.	12 dB	22.1 dB
Ripple			< 1 dB	dB
Impedance			In / Out : 50 Ω	In / Out : 50 Ω

(4) Torque for Tuning Screw	> 100gf · cm
(5) Temperature Condition:	
Operating Temperature	0°C ~ +60°C
Storage Temperature	-20°C ~ +70°C
(6) Input Power	> 1Watt



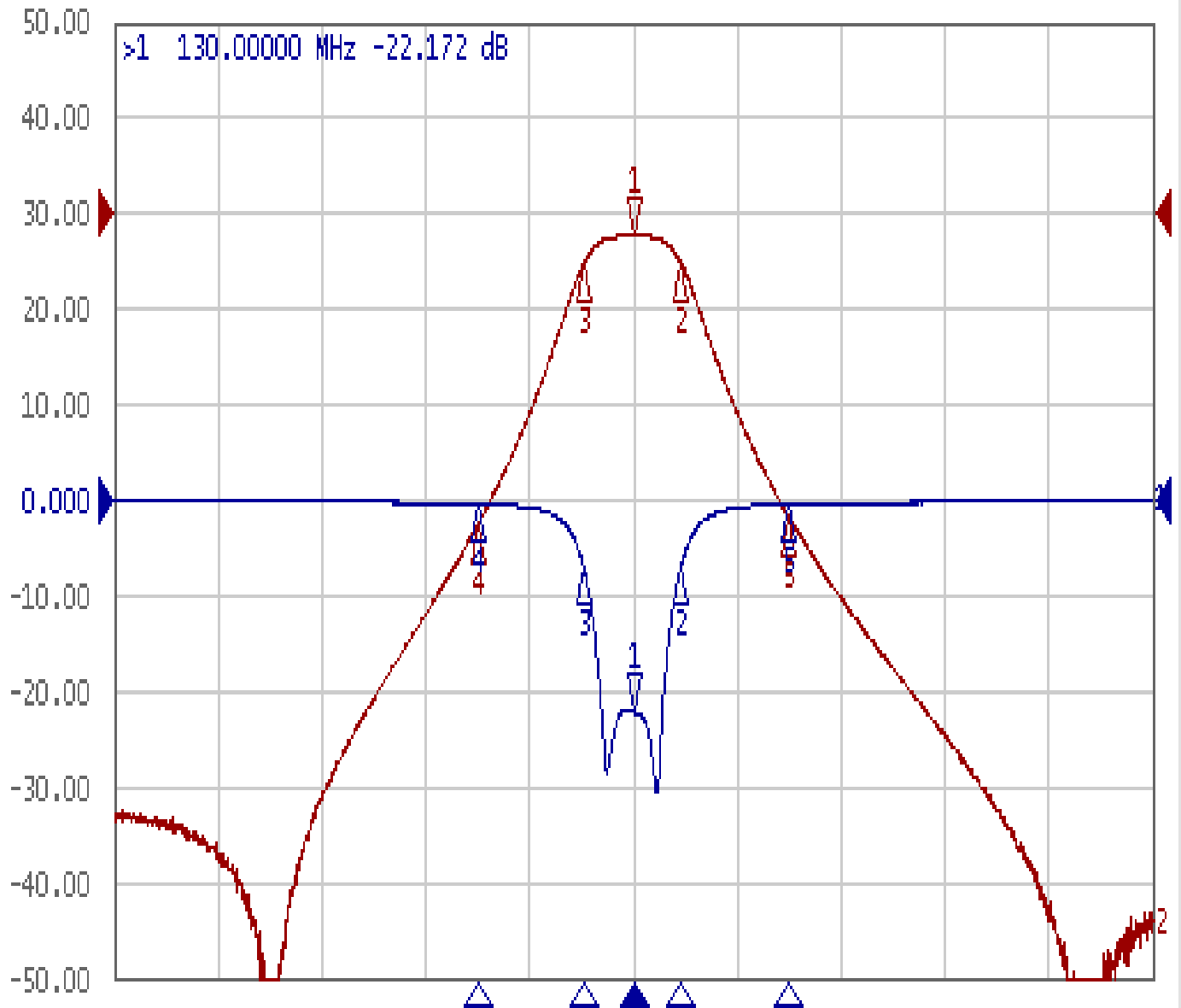
Approval	Supervisor	Designer	Aperture size
C.Y.Chang	C.S.Chang	C.S.Chang	7H3(4*4.65F) (7H024RB6.5)

TEMWELL CORPORATION

# Performance – TT67676B1-130M

## 0806080CD

Tr1 S11 Log Mag 10.00dB/ Ref 0.000dB [F3]  
Tr2 S21 Log Mag 10.00dB/ Ref 0.000dB [F3]



1 Center 130 MHz

IFBW 10 kHz

Span 100 MHz

Ch1	Tr1	S11	>1	130.00000	MHz	-22.172	dB
Ch1	Tr1	S11	2	134.60288	MHz	-6.7669	dB
Ch1	Tr1	S11	3	125.16300	MHz	-6.8910	dB
Ch1	Tr1	S11	4	115.00000	MHz	-0.3350	dB
Ch1	Tr1	S11	5	145.00000	MHz	-0.3606	dB
Ch1	Tr2	S21	1	130.00000	MHz	-2.2624	dB
Ch1	Tr2	S21	2	134.60288	MHz	-5.2033	dB
Ch1	Tr2	S21	3	125.16300	MHz	-5.2659	dB
Ch1	Tr2	S21	4	115.00000	MHz	-32.544	dB
Ch1	Tr2	S21	5	145.00000	MHz	-31.830	dB