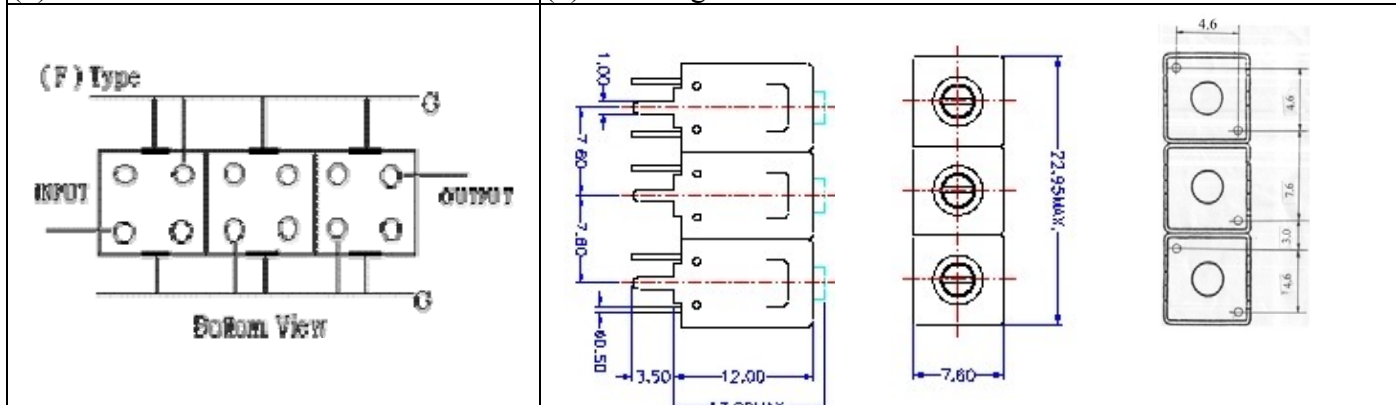


VHF UHF Helical Filter Specification Sheet

Customer Name		Temwell's Part No.	TT67671F-200M
Approval No. /dated	20412035DB	Temwell's print name.	196~220M
Work Instruction No.	20412035DB	Date	Dec.21.2004

(1) Pin Position (2) Size Diagram



(3) Electric Characteristic

Item	Specify	Performance
Center Freq.(Fo) +/- 0.5 %	200 MHz	200 MHz
Tunable Range: <input type="checkbox"/> Fo±5MHz <input type="checkbox"/> Fo±10MHz <input type="checkbox"/> Fo±15MHz	200±4 MHz	200±4 MHz
Insertion Loss	Typ. 3.0 dB	1.86 dB
-1 dB Bandwidth	Typ. 20 MHz	23 MHz
-3 dB Bandwidth	Typ. 27 MHz	28 MHz
Sensitivity (Attenuation)	Fo - 100 MHz	Typ. 53 dBc
	Fo + 100 MHz	Typ. 67 dBc
	Fo - ()MHz	Typ. dBc
	Fo +()MHz	Typ. dBc
Return Loss	Min. 12 dB	26 dB
Ripple	< 1 dB	dB
Impedance	In / Out : 50 Ω	In / Out : 50 Ω

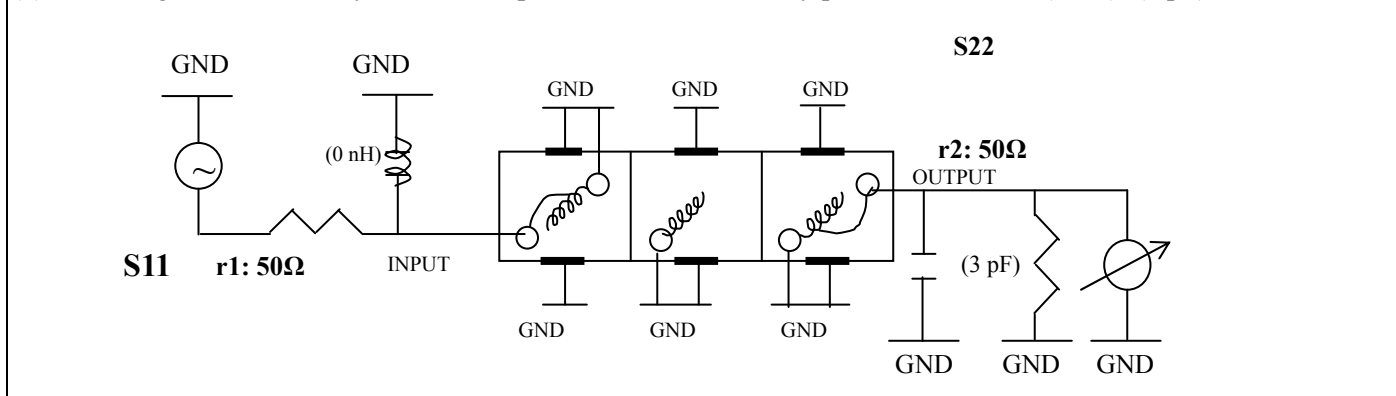
(4) Torque for Tuning Screw > 100gf · cm

(5) Temperature Condition:

Operating Temperature	0°C ~ +60°C
Storage Temperature	-20°C ~ +70°C

(6) Input Power > 1 Watt

(7) Measuring Circuit: ※Easy to match Impedance S11/S22 50Ω by parallel with about(0 nH)/(3 pF).



(Bottom View)

Approval	Supervisor	Designer	Aperture size
	C.S.Chang	C.S.Chang	7H3S(4*5.5)(4*5.60) 7H00LB6

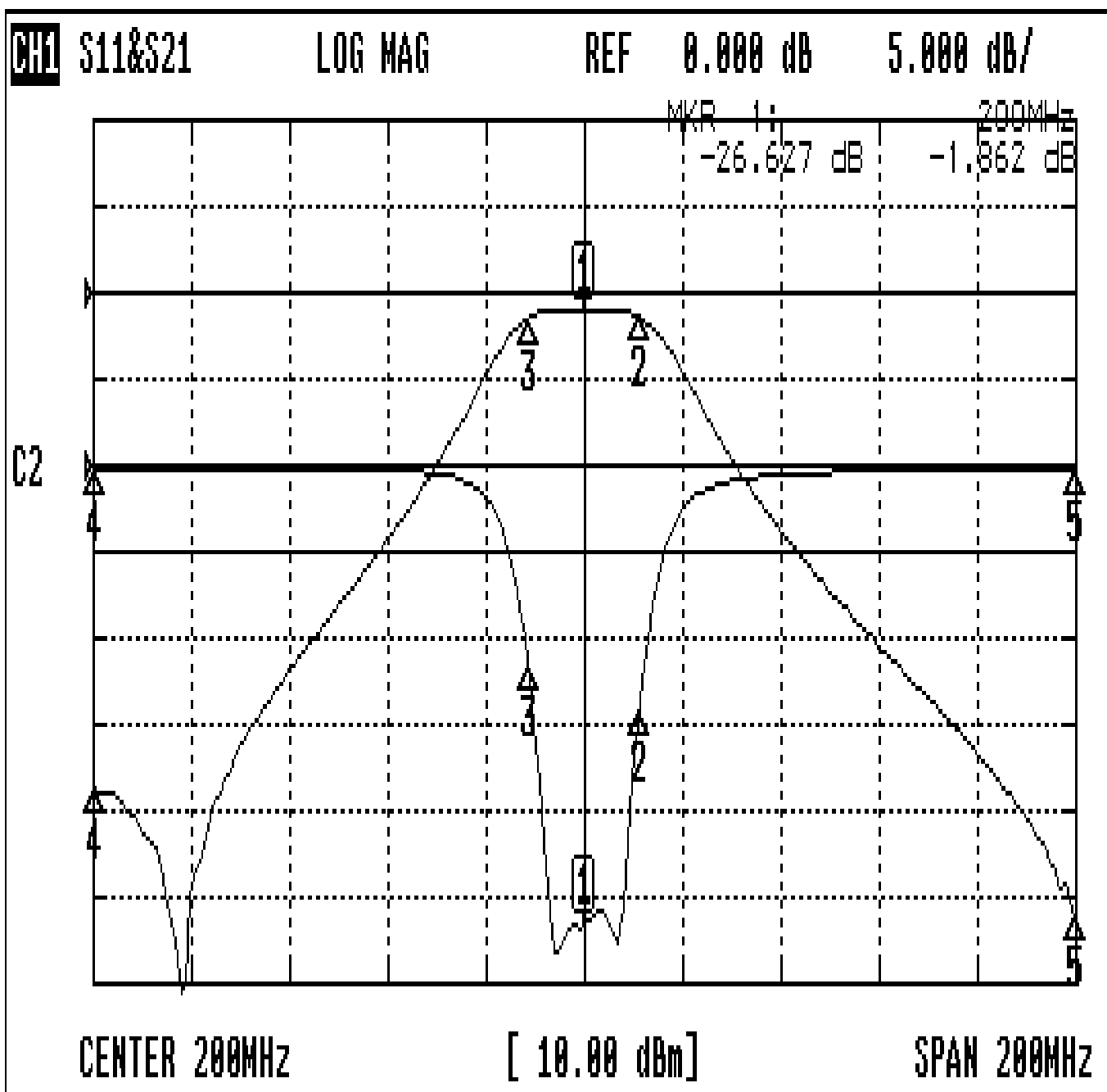
TEMWELL CORPORATION

TEMWELL

Form10-7H3F Vision D

Performance-TT67671F-200M

20412035DB



CH1 MARKER LIST

1:	200.000MHz	-26.627 dB	-1.862 dB
2:	211.333MHz	-14.101 dB	-2.844 dB
3:	188.666MHz	-11.522 dB	-2.875 dB
4:	100.000MHz	-0.150 dB	-57.868 dB
5:	300.000MHz	-0.247 dB	-71.981 dB