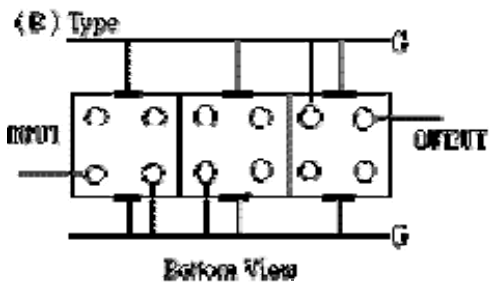
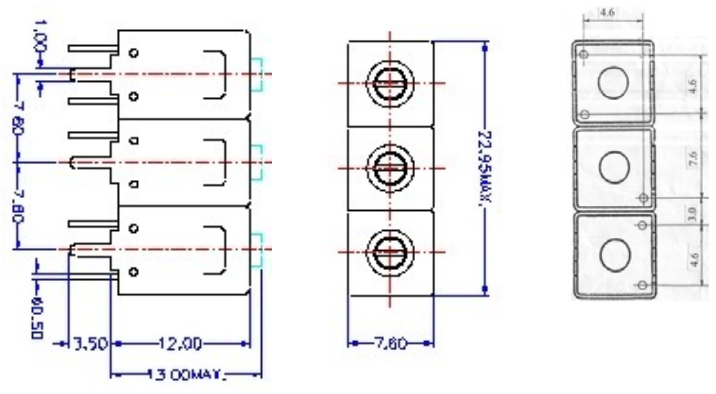


VHF UHF Helical Filter Specification Sheet

Customer Name		Temwell's Part No.	TT67641B-113.5M
Approval No. /dated	20410028DB	Acceptable Specify Fo. Range	108~125MHz
Work Instruction No.	20410028DB	Date	Oct.19.2004

(1)Pin Position	(2)Size Diagram
	

(3)Electric Character

Item	Specify	Performance	
Center Freq.(Fo) +/- 0.5 %	113.5 MHz	113.5 MHz	
Tunable Range	113.5±2 MHz	113.5±2 MHz	
Insertion Loss	Typ. 3.0 dB	2.1 dB	
-2 dB Bandwidth	Typ. 12 MHz	13 MHz	
-3 dB Bandwidth	Typ. 14 MHz	15 MHz	
Sensitivity (Attenuation)	Fo - 40 MHz	Typ. 54 dBc	57 dBc
	Fo + 40 MHz	Typ. 51 dBc	54 dBc
	Fo - ()MHz	Typ. dBc	dBc
	Fo +()MHz	Typ. dBc	dBc
Return Loss	Min. 12 dB	37 dB	
Ripple	< 1 dB	dB	
Impedance	In / Out : 50 Ω	In / Out : 50 Ω	

(4)Torque for Tuning Screw > 100gf • cm

(5)Temperature Condition:

Operating Temperature	0°C ~ +60°C
Storage Temperature	-20°C ~ +70°C

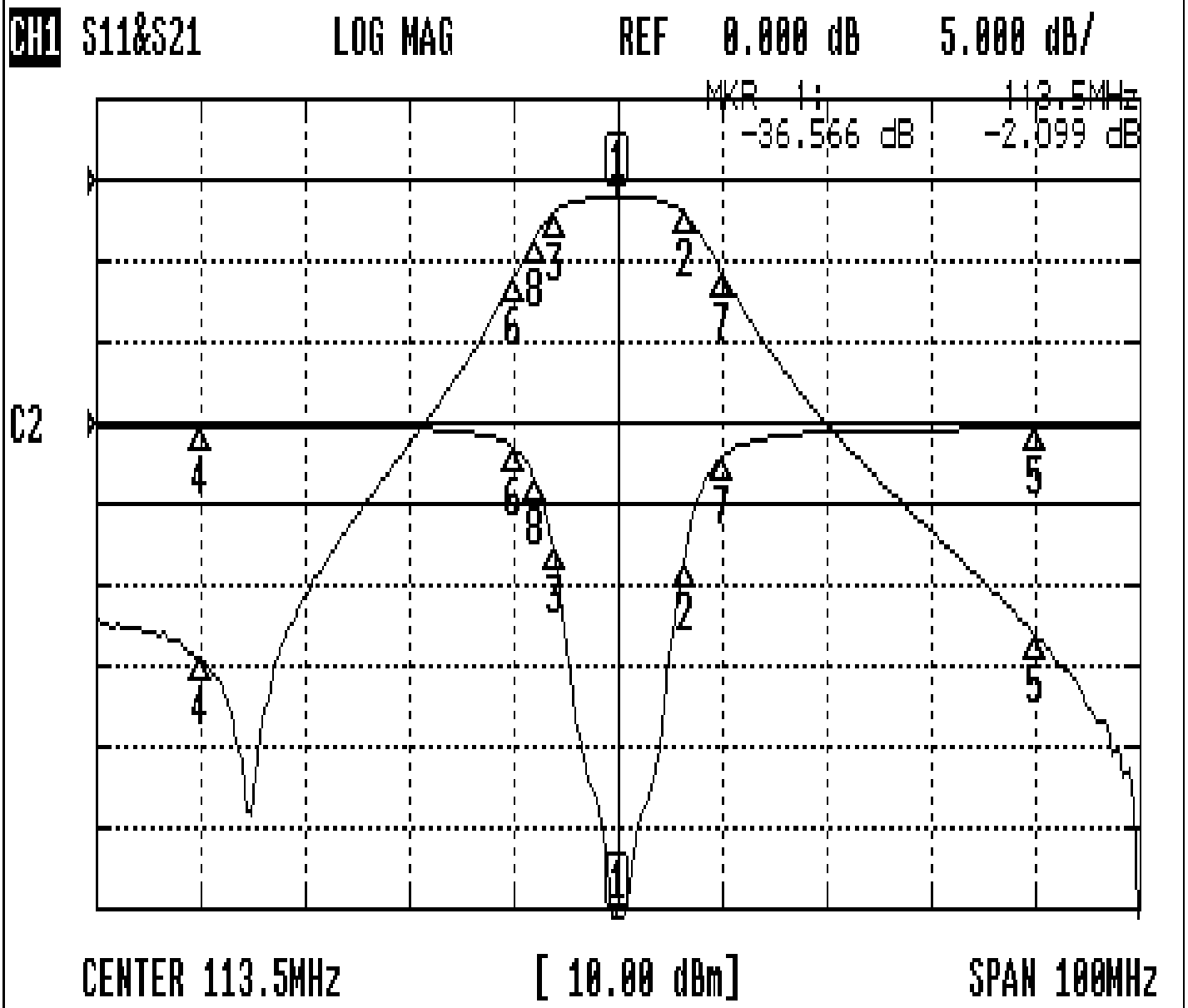
(6)Input Power > 1Watt

Approval	Supervisor	Designer	Aperture size
C.Y.Chang	C.S.Chang	C.S.Chang	7H3S(4*5.5)(5.67) 7H00LB6

TEMWELL CORPORATION

Performance-TT67641B-113.5M

20410028DB



CH1 MARKER LIST

1:	113.500MHz	-36.566 dB	-2.099 dB
2:	119.833MHz	-8.481 dB	-4.183 dB
3:	107.333MHz	-7.797 dB	-4.168 dB
4:	73.500MHz	-0.198 dB	-58.988 dB
5:	153.500MHz	-0.358 dB	-56.387 dB
6:	103.500MHz	-1.531 dB	-12.291 dB
7:	123.500MHz	-2.085 dB	-11.341 dB
8:	105.500MHz	-3.323 dB	-7.497 dB