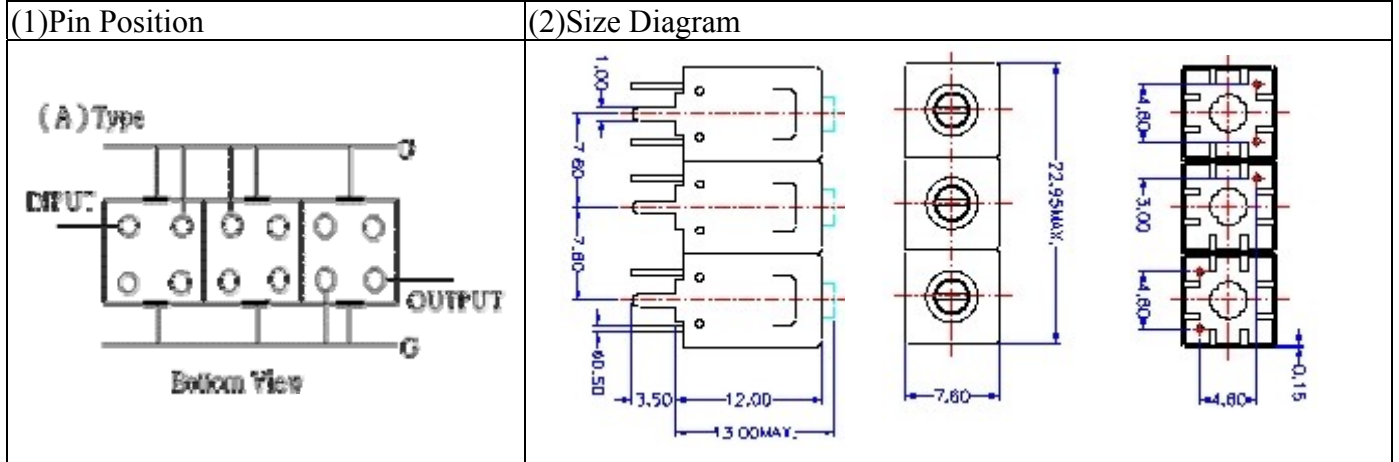


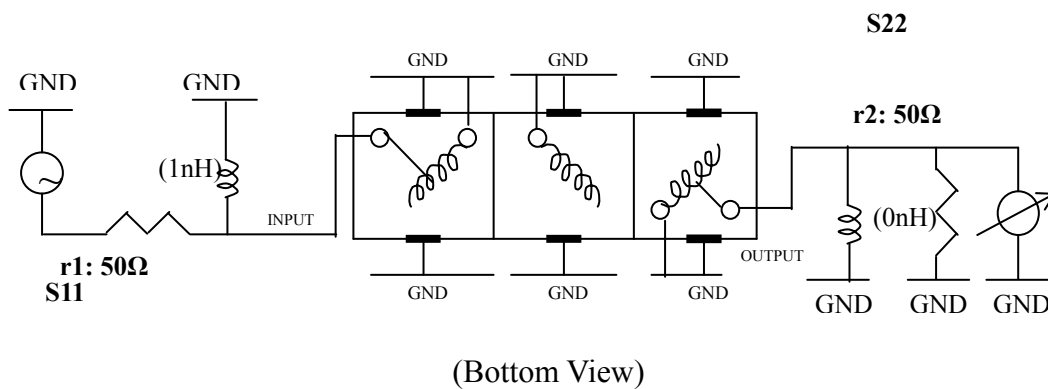
VHF UHF Helical Filter Specification Sheet

Customer Name		Temwell's Part No.	TT67637A-1236M
Approval No. /dated	20405015DC	Acceptable Specify Fo Range	1251~1300MHz
Work Instruction No.	20405015DC	Date	May.17.2004



(3) Electric Characteristic		Item	Specify	Performance
		Center Freq.(Fo) +/- 0.5 %	1236 MHz	1236 MHz
		Tunable Range:	1236±10 MHz	1236±10 MHz
		Insertion Loss	Typ. 4.0 dB	2.99 dB
		-3 dB Bandwidth	Typ. 22 MHz	31 MHz
Sensitivity (Attenuation)	Fo - 50 MHz	Typ. 23 dBc	26 dBc	
	Fo + 50 MHz	Typ. 16 dBc	19 dBc	
	Fo - ()MHz	Typ. dBc	dBc	
	Fo + ()MHz	Typ. dBc	dBc	
		Return Loss	Min. 12 dB	18.2 dB
		Ripple	< 1 dB	dB
		Impedance	In / Out : 50 Ω	In / Out : 50 Ω
(4) Torque for Tuning Screw		> 100gf · cm		
(5) Temperature Condition:				
Operating Temperature		0°C ~ +60°C		
Storage Temperature		-20°C ~ +70°C		
(6) Input Power		> 1Watt		

(7) Measuring Circuit: ※Easy to match Impedance S11/S22 50Ω by parallel with about(1 nH) / (0 nH).

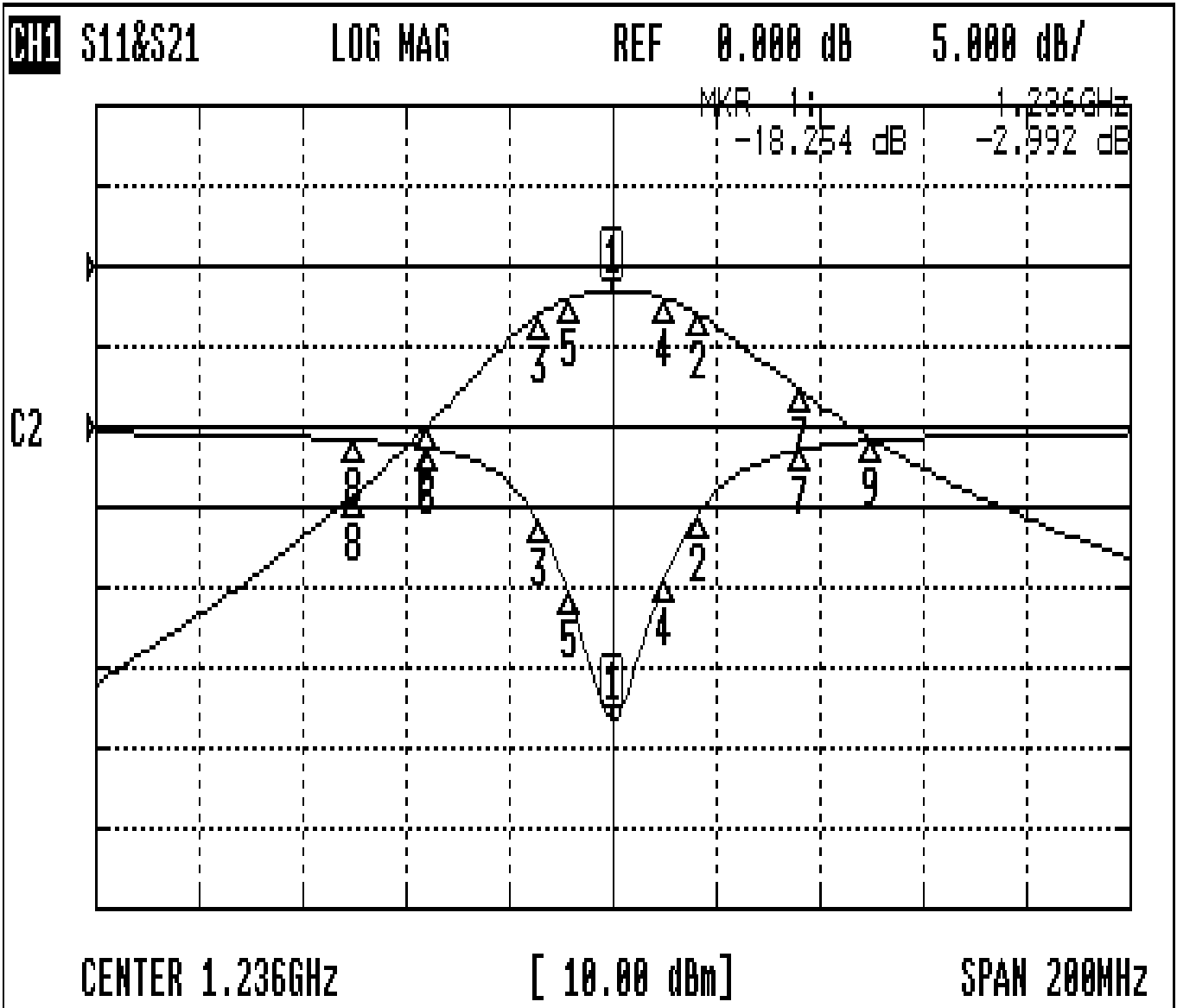


Approval C.Y.Chang	Supervisor C.S.Chang	Designer C.S.Chang	Aperture size 7H3S(4*5.5)(4*5.5) 7H046LB4 聚 3
-----------------------	-------------------------	-----------------------	---

TEMWELL CORPORATION

Performance-TT67637A-1236M

20405015DC



CH1 MARKER LIST

1:	1.236 000GHz	-18.254 dB	-2.992 dB
2:	1.252 500GHz	-5.452 dB	-5.953 dB
3:	1.221 833GHz	-6.005 dB	-5.931 dB
4:	1.246 000GHz	-9.586 dB	-3.947 dB
5:	1.227 500GHz	-10.289 dB	-3.954 dB
6:	1.200 000GHz	-1.283 dB	-19.990 dB
7:	1.272 000GHz	-1.433 dB	-15.315 dB
8:	1.186 000GHz	-0.817 dB	-28.506 dB
9:	1.286 000GHz	-0.860 dB	-21.473 dB