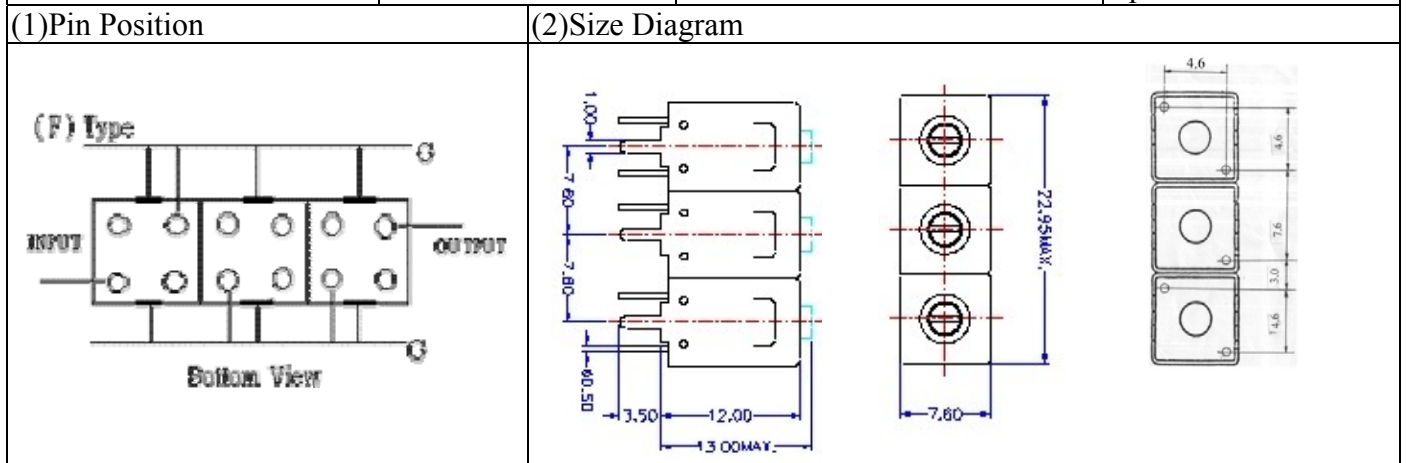


VHF UHF Helical Filter Specification Sheet

Customer Name		Temwell's Part No.	TT67635F-1490M
Approval No. /dated	20403077DB	Acceptable Specify Fo Range	1301~1500MHz
Work Instruction No.	20403077DB	Date	Apr.13.2004



Item		Specify	Performance
Center Freq.(Fo) +/- 0.5 %		1490 MHz	1490 MHz
Tunable Range:		1490±5 MHz	1490±5 MHz
Insertion Loss		Typ. 3.5 dB	2.7 dB
-3 dB Bandwidth		Typ. 35 MHz	44 MHz
Sensitivity (Attenuation)	Fo - 50 MHz	Typ. 18 dB	21 dB
	Fo + 50 MHz	Typ. 13 dB	16 dB
	Fo - ()MHz	Typ. dB	dB
	Fo + ()MHz	Typ. dB	dB
Return Loss		Min. 15 dB	17.7 dB
Ripple		< 1 dB	dB
Impedance		In / Out : 50 Ω	In / Out : 50 Ω

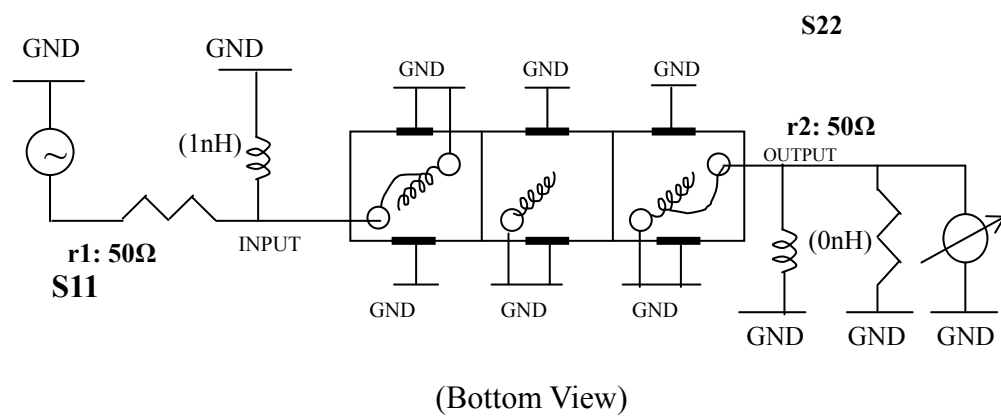
(4) Torque for Tuning Screw > 100gf · cm

(5) Temperature Condition:

Operating Temperature	0°C ~ +60°C
Storage Temperature	-20°C ~ +70°C

(6) Input Power > 1Watt

(7) Measuring Circuit: ※Easy to match Impedance S11/S22 50Ω by parallel with about(0-1 nH) / (0-1nH).

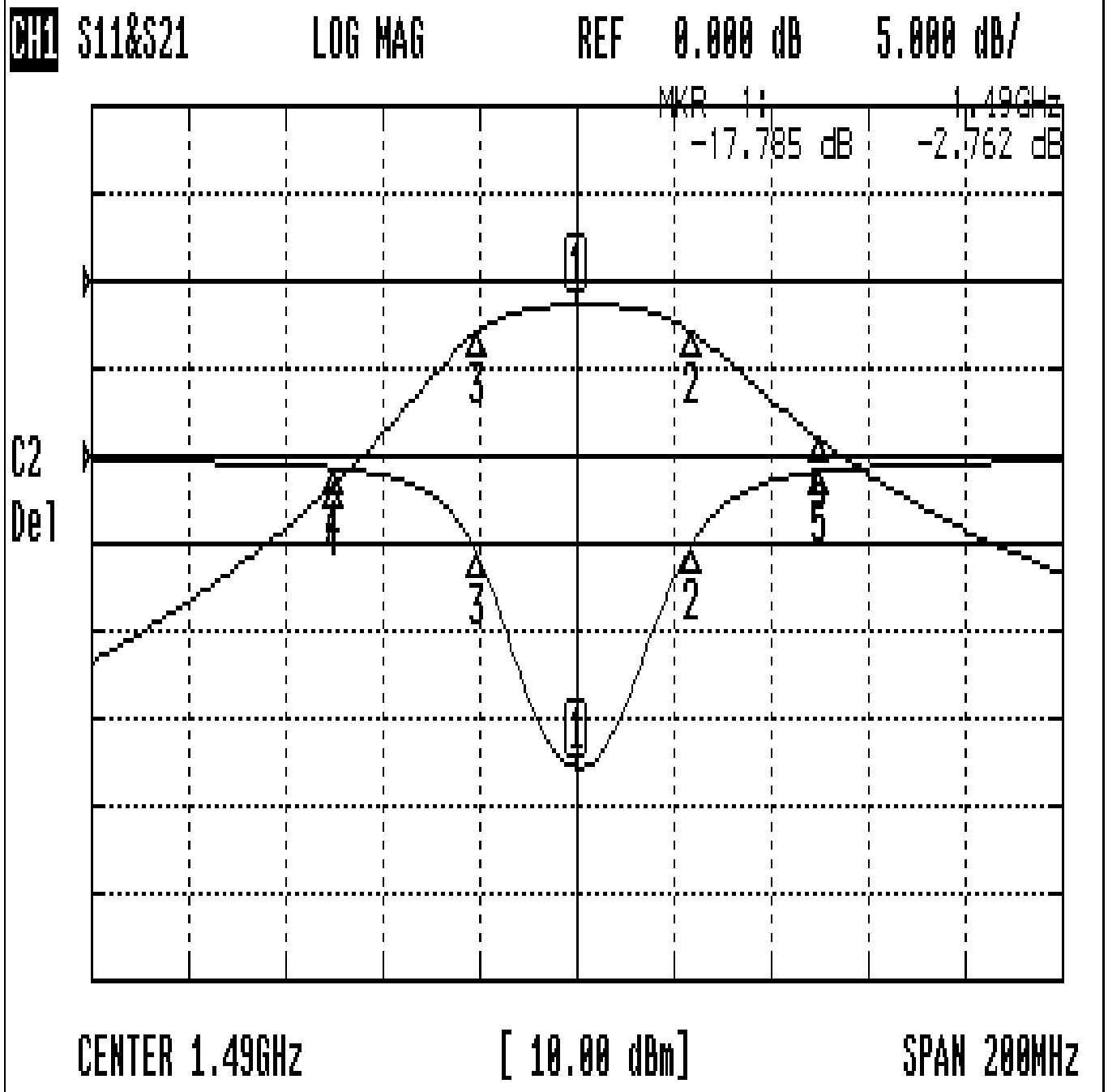


Approval C.Y.Chang	Supervisor C.S.Chang	Designer C.S.Chang	Aperture size 7H3(4*5.5)(4*5.64) 7H046LB4 聚 3
-----------------------	-------------------------	-----------------------	---

TEMWELL CORPORATION

Performance-TT67635F-1490M

20403077DB



CH1 MARKER LIST

1:	1.490 000GHz	-17.785 dB	-2.762 dB
2:	1.513 500GHz	-5.185 dB	-5.774 dB
3:	1.469 666GHz	-5.681 dB	-5.746 dB
4:	1.440 000GHz	-0.688 dB	-23.159 dB
5:	1.540 000GHz	-0.898 dB	-18.085 dB