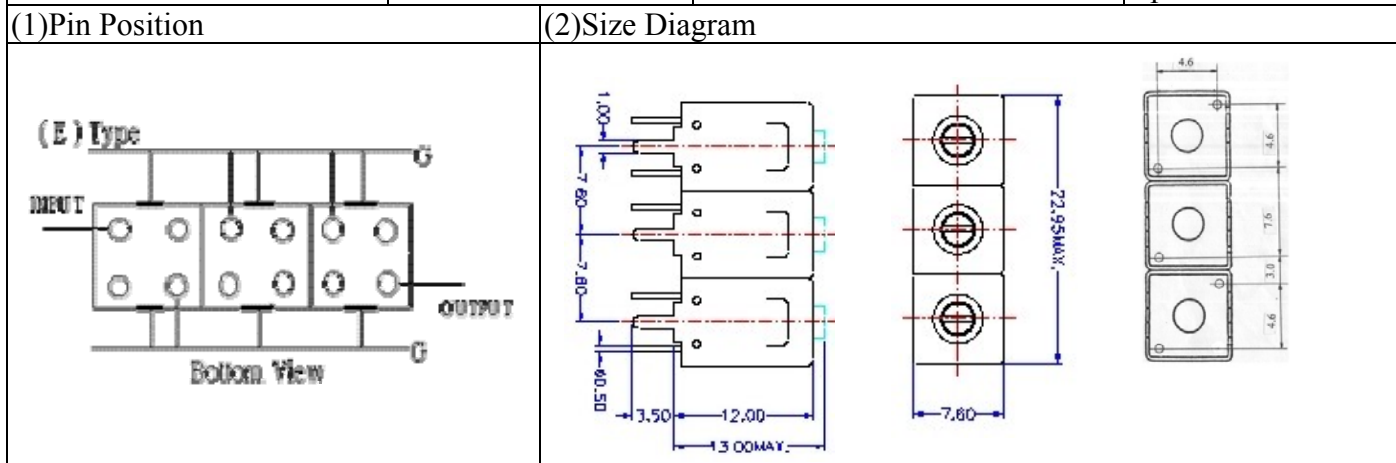


VHF UHF Helical Filter Specification Sheet

Customer Name		Temwell's Part No.	TT67633E-1440M
Approval No. /dated	20403075DB	Acceptable Specify Fo Range	1301~1500MHz
Work Instruction No.	20403075DB	Date	Apr.13.2004



(3) Electric Charasteric

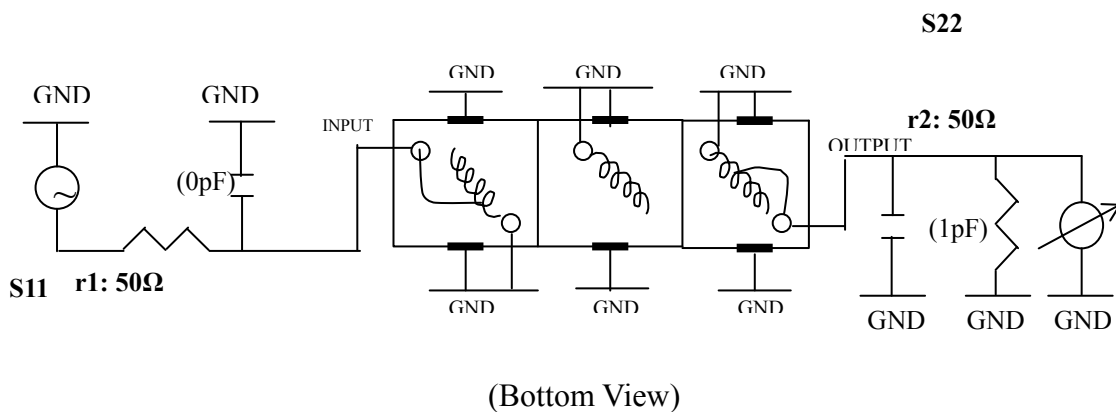
Item	Specify	Performance
Center Freq.(Fo) +/- 0.5 %	1440 MHz	1440 MHz
Tunable Range:	1440±10 MHz	1440±10 MHz
Insertion Loss	Typ. 3.5 dB	2.76 dB
-3 dB Bandwidth	Typ. 30 MHz	38 MHz
Sensitivity (Attenuation)	Fo - 50 MHz	Typ. 12 dB
	Fo + 50 MHz	Typ. 18 dB
	Fo - ()MHz	Typ. dBc
	Fo +()MHz	Typ. dBc
Return Loss	Min. 15 dB	33.6 dB
Ripple	< 1 dB	
Impedance	In / Out : 50 Ω	In / Out : 50 Ω
(4) Torque for Tuning Screw	> 100gf · cm	

(5) Temperature Condition:

Operating Temperature	0°C ~ +60°C
Storage Temperature	-20°C ~ +70°C

(6) Input Power > 1Watt

(7) Measuring Circuit: ※Easy to match Impedance S11/S22 50Ω by parallel with about(0-2 pF) / (0-2 pF).



Approval	Supervisor	Designer	Aperture size
C.Y.Chang	C.S.Chang	C.S.Chang	7H3(4*5.5)(4*6.2) 7H046LB4 聚 3

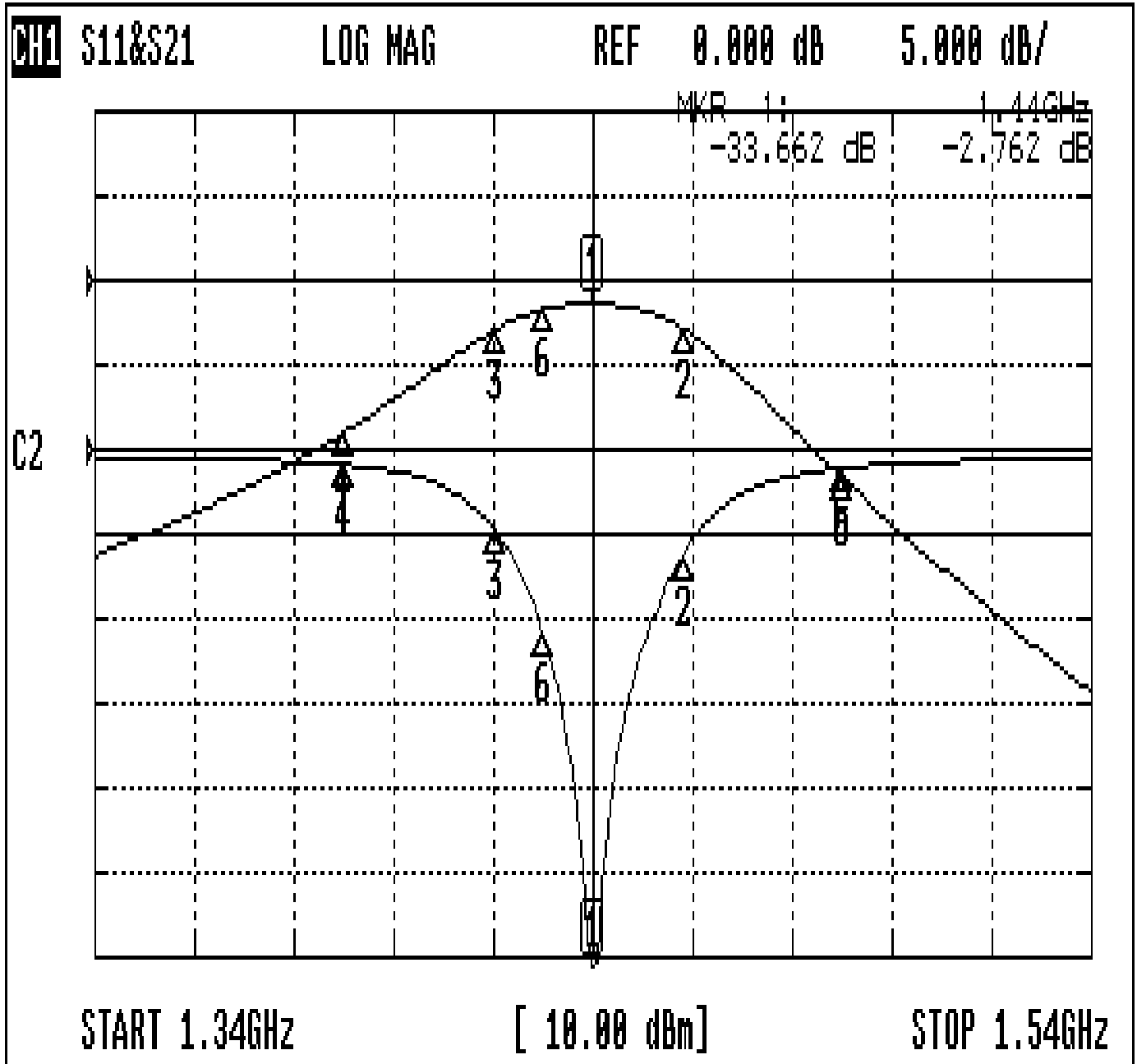
TEMWELL CORPORATION

TEMWELL

Form10-7H3E Vision D

Performance-TT67633E-1440M

20403075DB



CH1 MARKER LIST

1:	1.440 000GHz	-33.662 dB	-2.762 dB
2:	1.458 333GHz	-6.134 dB	-5.737 dB
3:	1.420 500GHz	-4.780 dB	-5.792 dB
4:	1.390 000GHz	-0.885 dB	-17.974 dB
5:	1.490 000GHz	-1.072 dB	-23.268 dB
6:	1.430 000GHz	-10.703 dB	-3.418 dB