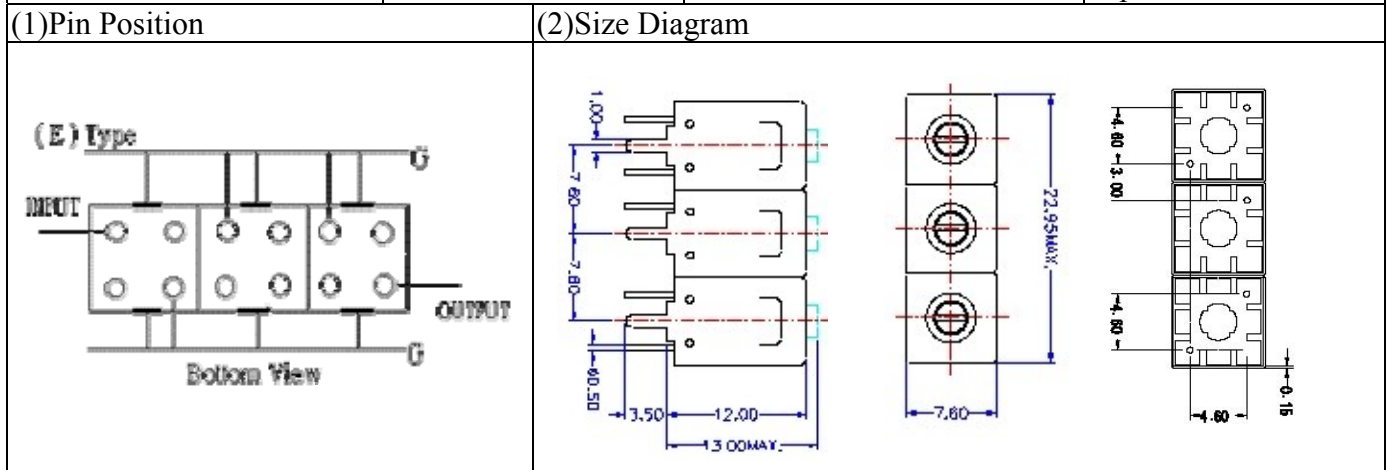


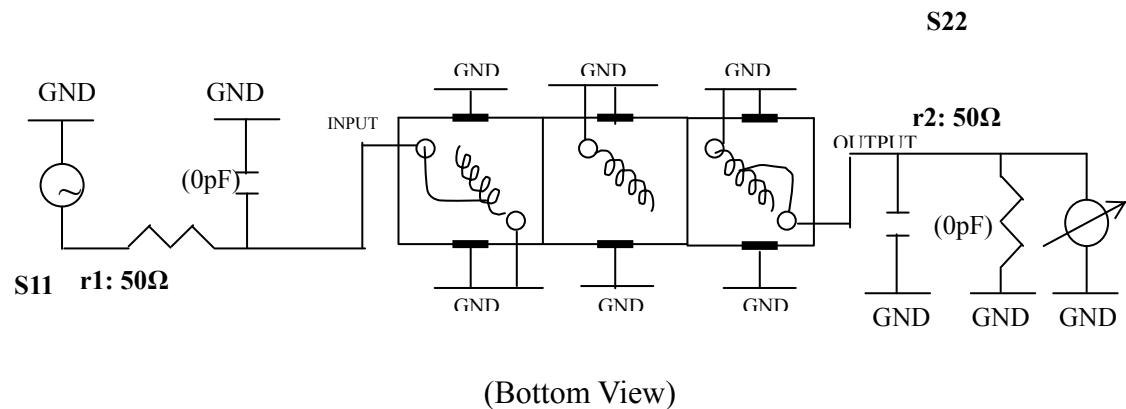
VHF UHF Helical Filter Specification Sheet

Customer Name		Temwell's Part No.	TT67630E-800M
Approval No. /dated		Temwell's Print name.	67630E 800M
Work Instruction No.	200909122BD	Date	Sep.30.2009



Item		Specify	Performance
Center Freq.(Fo) +/- 0.5 %		800 MHz	800 MHz
Insertion Loss		Typ. 3.5 dB	2.05 dB
-3 dB Bandwidth		Typ. 20 MHz	24.8 MHz
Sensitivity (Attenuation)	Fo - 120 MHz	Typ. 55 dBc	62 dBc
	Fo + 120 MHz	Typ. 55 dBc	64 dBc
	Fo - ()MHz	Typ. dBc	dBc
	Fo +()MHz	Typ. dBc	dBc
Return Loss		Min. 12 dB	33.1 dB
Ripple		< 1 dB	dB
Impedance		In / Out : 50 Ω	In / Out : 50 Ω
(4) Torque for Tuning Screw		> 100gf · cm	
(5) Temperature Condition:			
Operating Temperature		0°C ~ +60°C	
Storage Temperature		-20°C ~ +70°C	
(6) Input Power		> 1Watt	

(7) Measuring Circuit: ※ Easy to match Impedance S11/S22 50Ω by parallel with about(0 pF) / (0 pF).

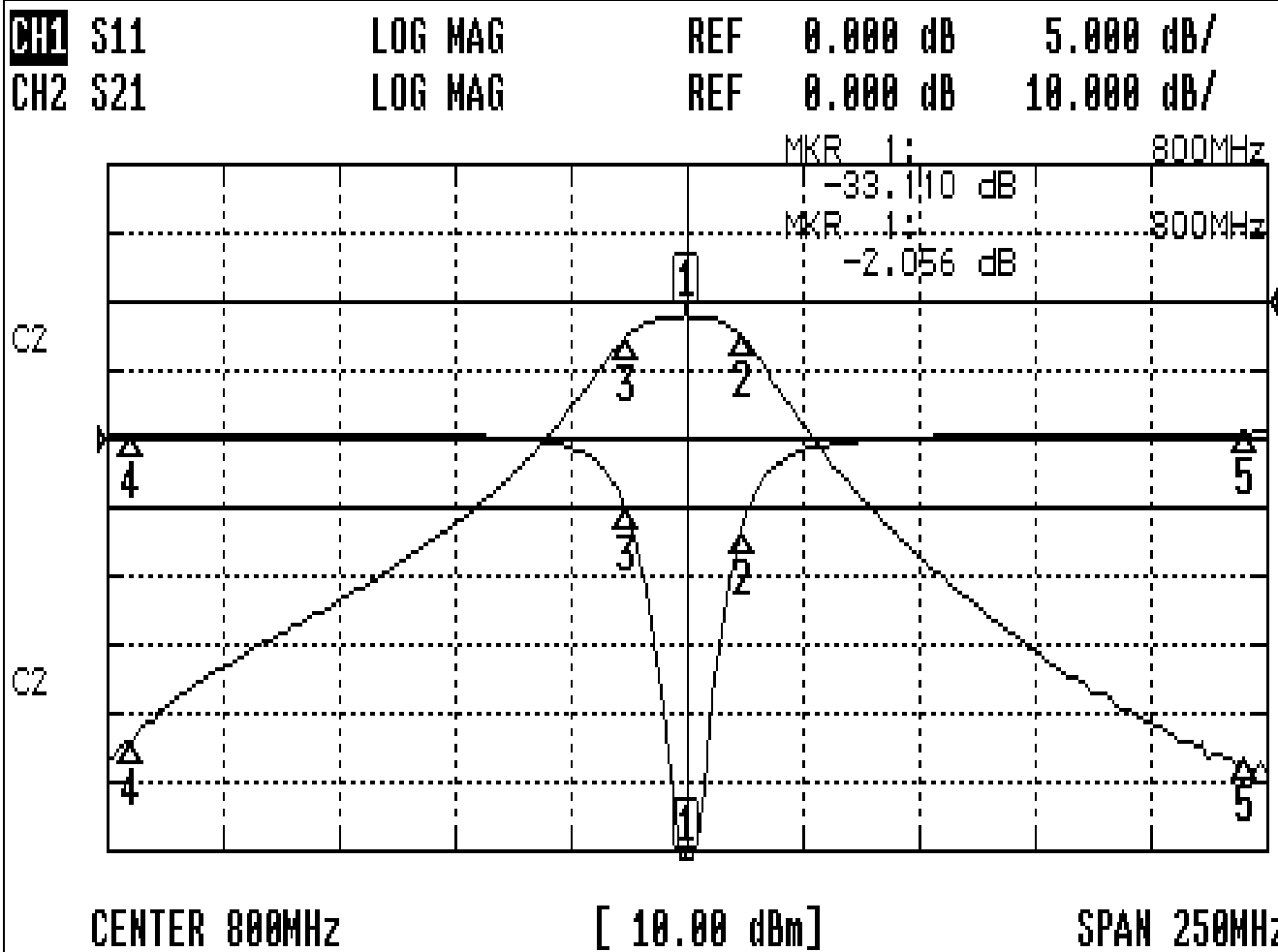


Approval	Supervisor	Designer	Aperture size
C.Y.Chang	C.K.Chang	C.H.Yeh	7H3S(4*5.5)(5.59) 7H046LB4.3 聚 3

TEMWELL CORPORATION

Performance-TT67630E-800M

200909122BD



CH1 MARKER LIST

Marker	Frequency (MHz)	Magnitude (dB)
1:	800.000MHz	-33.110 dB
2:	811.875MHz	-16.599 dB
3:	787.083MHz	-5.260 dB
4:	680.000MHz	0.333 dB
5:	920.000MHz	0.438 dB

CH2 MARKER LIST

Marker	Frequency (MHz)	Magnitude (dB)
1:	800.000MHz	-2.056 dB
2:	811.875MHz	-1.125 dB
3:	787.083MHz	-1.125 dB
4:	680.000MHz	-4.065 dB
5:	920.000MHz	-66.266 dB