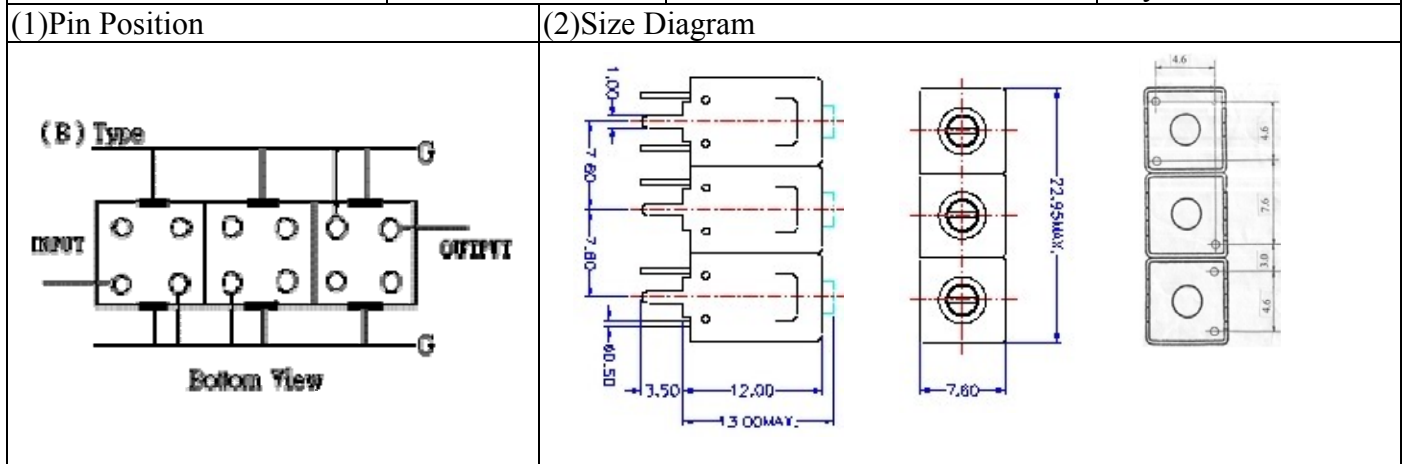
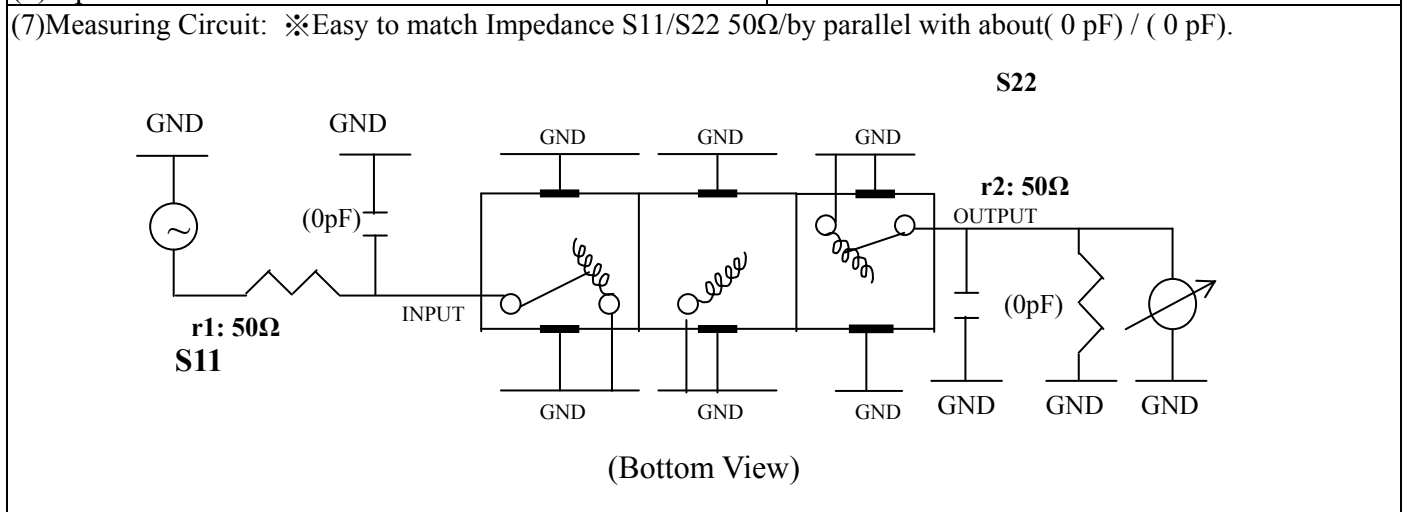


# VHF UHF Helical Filter Specification Sheet

Customer Name		Temwell's Part No.	TT67629B-425M
Approval No. /dated	20505023B	Acceptable Specify Fo. Range	401~455MHz
Work Instruction No.	20505023B	Date	May.24.2005



(3) Electric Characteristic		Item	Specify	Performance
		Center Freq.(Fo) +/- 0.5 %	425 MHz	425 MHz
		Tunable Range	425±3 MHz	425±3 MHz
		Insertion Loss	Typ. 2.0 dB	1.08 dB
		-3 dB Bandwidth	Typ. 35 MHz	38 MHz
Sensitivity (Attenuation)	Fo - 100 MHz	Typ. 48 dBc		52 dBc
	Fo + 100 MHz	Typ. 37 dBc		41 dBc
	Fo - ( )MHz	Typ. dBc		dBc
	Fo +( )MHz	Typ. dBc		dBc
		Return Loss	Min. 12 dB	32.4 dB
		Ripple	< 1 dB	dB
		Impedance	In / Out : 50 Ω	In / Out : 50 Ω
(4) Torque for Tuning Screw		> 100gf · cm		
(5) Temperature Condition:				
Operating Temperature		0°C ~ +60°C		
Storage Temperature		-20°C ~ +70°C		
(6) Input Power		> 1Watt		

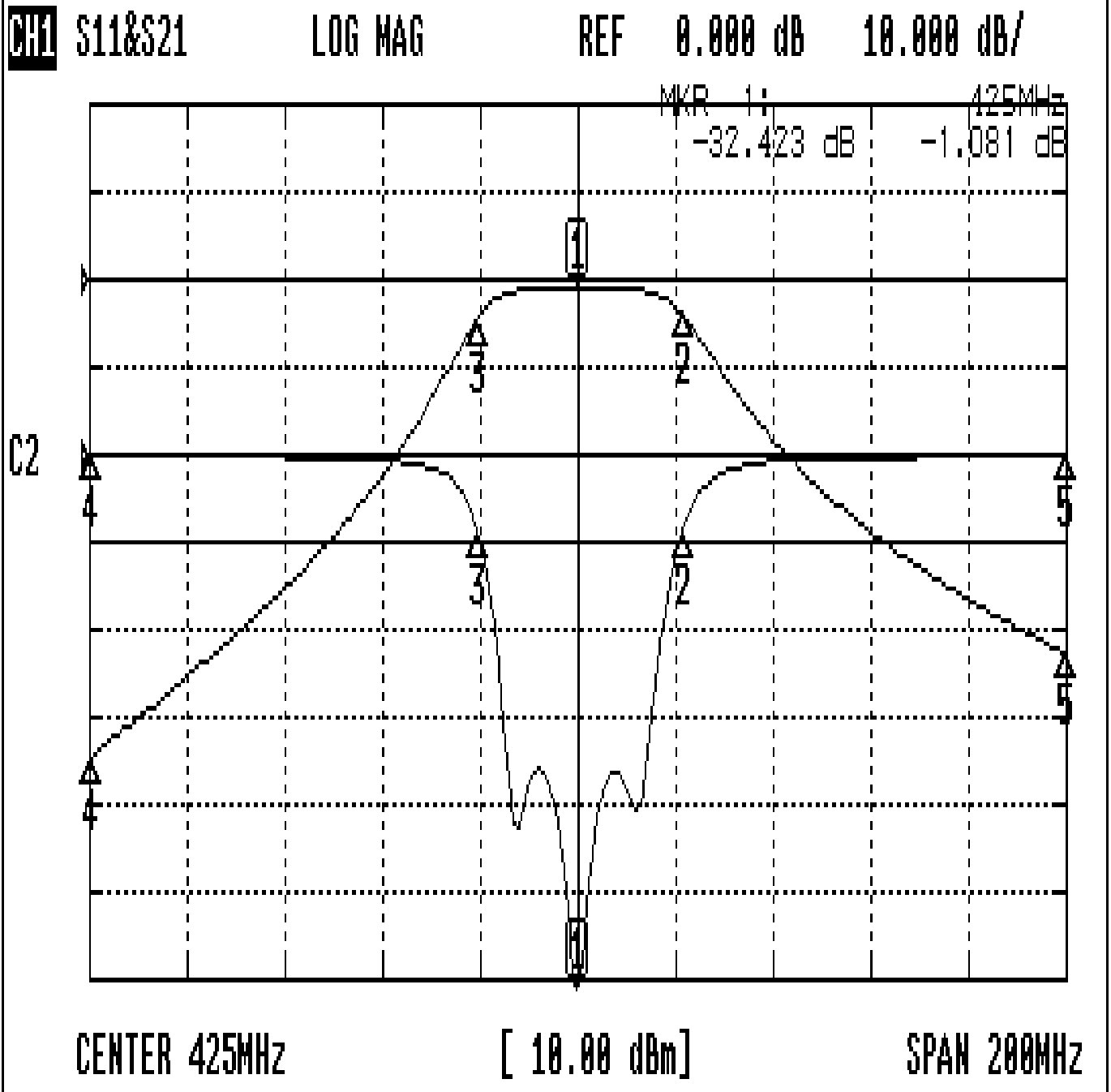


Approval	Supervisor	Designer	Aperture size
C. Y. Chang	C.S.Chang	P.H.Chiang	7H3(4*6.5)(6.57)F 7H046LB5

TEMWELL CORPORATION

# Performance-TT67629B-425M

## 20505023B



### CH1 MARKER LIST

1:	425.000MHz	-32.423 dB	-1.081 dB
2:	446.666MHz	-4.280 dB	-4.108 dB
3:	404.833MHz	-4.654 dB	-4.108 dB
4:	325.000MHz	-0.064 dB	-54.506 dB
5:	525.000MHz	-0.105 dB	-42.813 dB