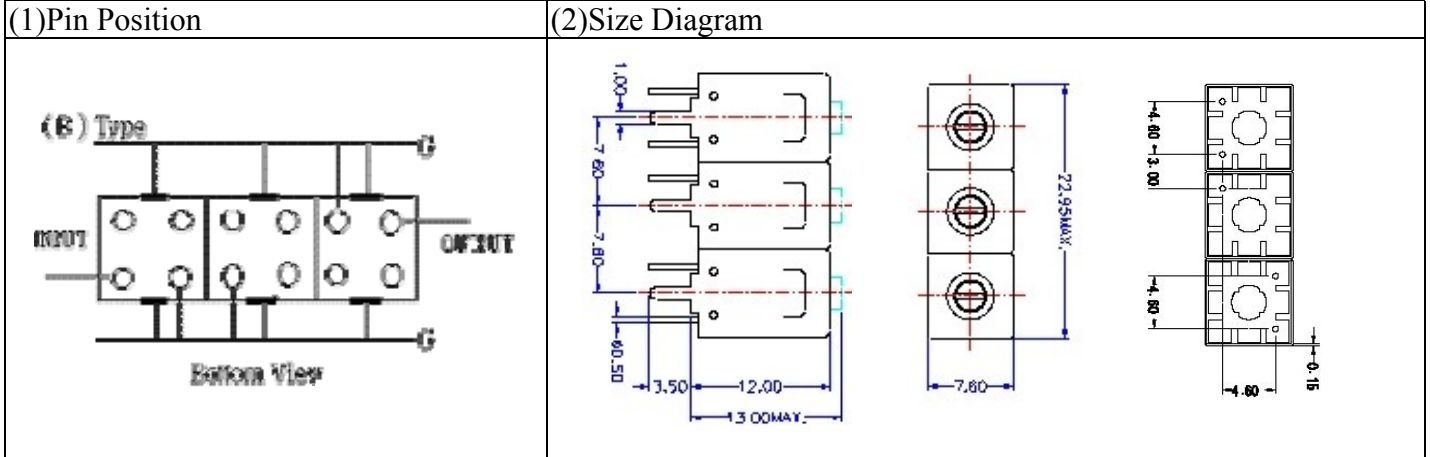


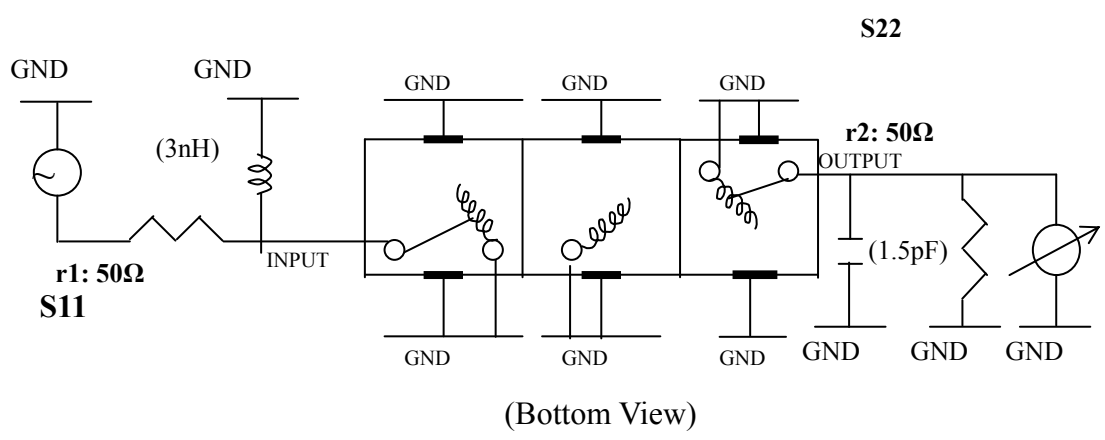
VHF UHF Helical Filter Specification Sheet

Customer Name		Temwell's Part No.	TT67627B02-465M
Approval No. /dated	20307049DB	Acceptable Specify Fo Range	456~515MHz
Work Instruction No.	20307049DB	Date	Jul.7.2003



(3) Electric Characteristic			
Item	Specify	Performance	
Center Freq.(Fo) +/- 0.5 %	465 MHz	465 MHz	
Tunable Range:	465±5 MHz	465±5 MHz	
Insertion Loss	Typ. 4.0 dB	2.8 dB	
-3 dB Bandwidth	Typ. 12 MHz	16 MHz	
Sensitivity (Attenuation)	Fo - 16 MHz	Typ. 18 dBc	21 dBc
	Fo + 16 MHz	Typ. 16 dBc	19 dBc
	Fo - ()MHz	Typ. dBc	dBc
	Fo +()MHz	Typ. dBc	dBc
Return Loss	Min. 12 dB	16.9 dB	
Ripple	< 1 dB	dB	
Impedance	In / Out : 50 Ω	In / Out : 50 Ω	
(4) Torque for Tuning Screw	> 100gf · cm		
(5) Temperature Condition:			
Operating Temperature	0°C ~ +60°C		
Storage Temperature	-20°C ~ +70°C		
(6) Input Power	> 1 Watt		

(7) Measuring Circuit: ※Easy to match Impedance S11/S22 50Ω by parallel with about(3nH) / (1.5pF).



Approval	Supervisor	Designer	Aperture size
C.Y.Chang	C.S.Chang	C.S.Chang	7H3S(4*5.5)F 7H046LB4 聚 3

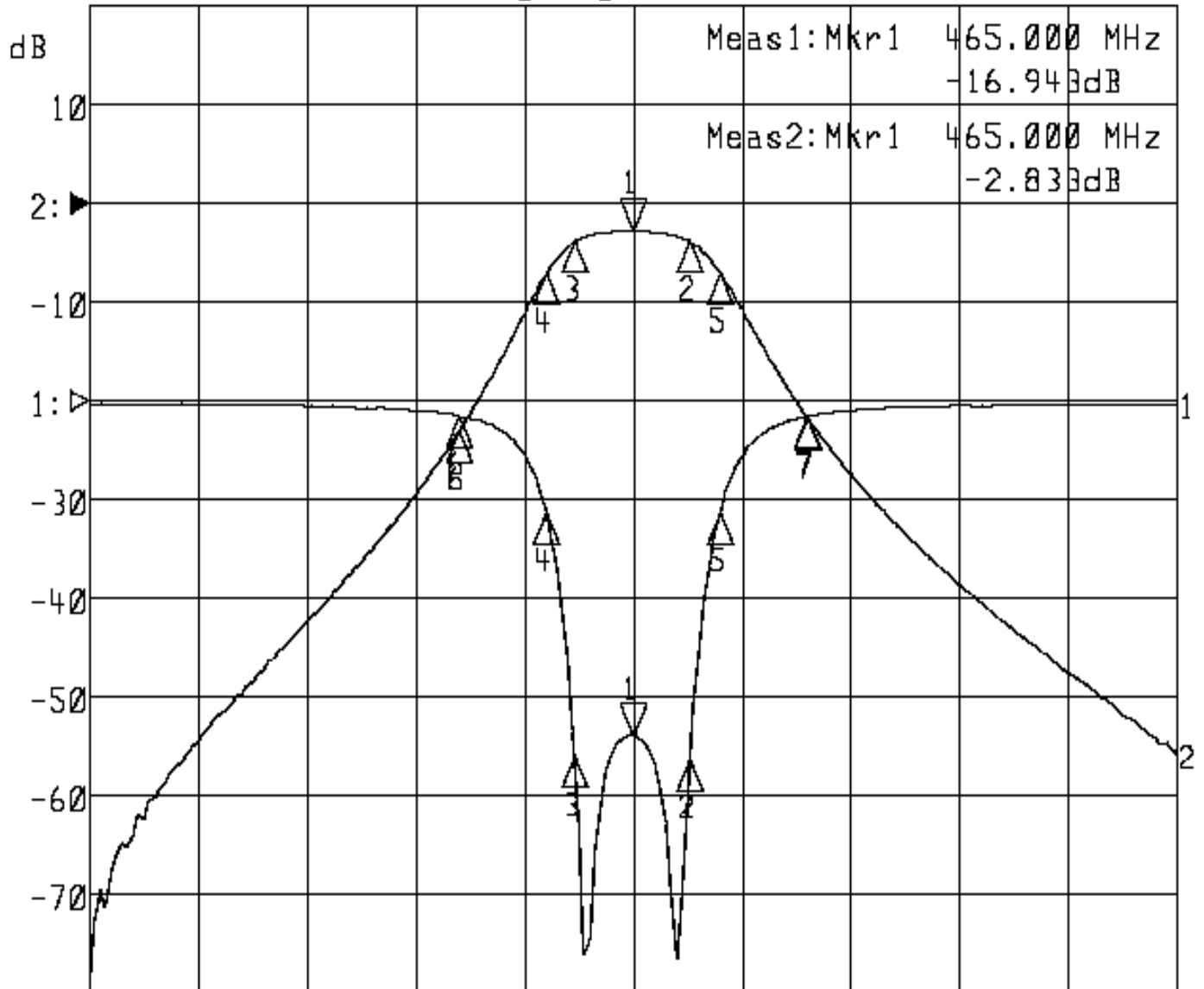
TEMWELL CORPORATION

Performance-TT67627B02-465M

20307049DB

▷1:S11 Refl Port1 Log Mag 5.0 dB/ Ref 0.00 dB C

▶2:S21 Fwd Trans Log Mag 10.0 dB/ Ref 0.00 dB C



Center 465.000 MHz

Span 100.000 MHz

1: Mkr (MHz)	dB	2: Mkr (MHz)	dB
1> 465.0000	-16.943	1> 465.0000	-2.833
2: 470.2000	-18.096	2: 470.2000	-3.853
3: 459.6333	-17.996	3: 459.6333	-3.869
4: 457.0000	-5.565	4: 457.0000	-7.099
5: 473.0000	-5.591	5: 473.0000	-7.052
6: 449.0000	-0.771	6: 449.0000	-23.076
7: 481.0000	-0.767	7: 481.0000	-21.645