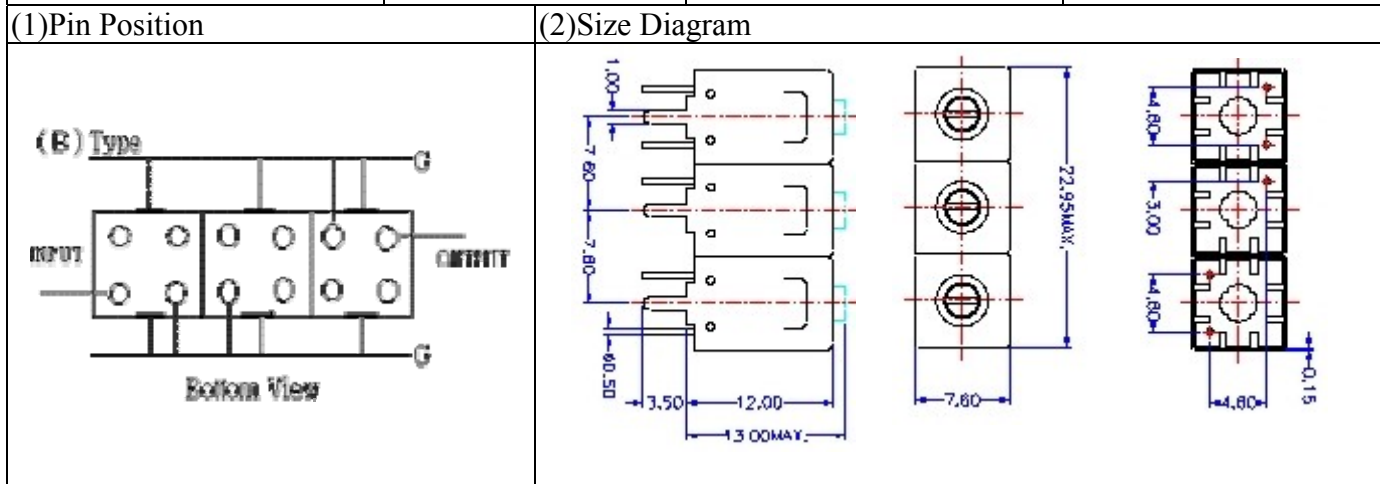


VHF UHF Helical Filter Specification Sheet

| | | | |
|----------------------|------------|----------------------|-----------------|
| Customer Name | | Temwell's Part No. | TT67626B04-415M |
| Approval No. /dated | 20307048DB | Temwell's print name | |
| Work Instruction No. | 20307048DB | Date | Jul.08.2003 |



(3) Electric Character

| Item | Specify | Performance | |
|----------------------------|-----------------|-----------------|--------|
| Center Freq.(Fo) +/- 0.5 % | 415 MHz | 415 MHz | |
| Tunable Range | 415±5 MHz | 415±5 MHz | |
| Insertion Loss | Typ. 4.0 dB | 2.7 dB | |
| -3dB Bandwidth | Typ. 10 MHz | 13 MHz | |
| Sensitivity (Attenuation) | Fo - 16 MHz | Typ. 21 dBc | 23 dBc |
| | Fo + 16 MHz | Typ. 20 dBc | 22 dBc |
| | Fo - ()MHz | Typ. dBc | dBc |
| | Fo +()MHz | Typ. dBc | dBc |
| Return Loss | Min. 12 dB | 27.6 dB | |
| Ripple | < 1 dB | dB | |
| Impedance | In / Out : 50 Ω | In / Out : 50 Ω | |

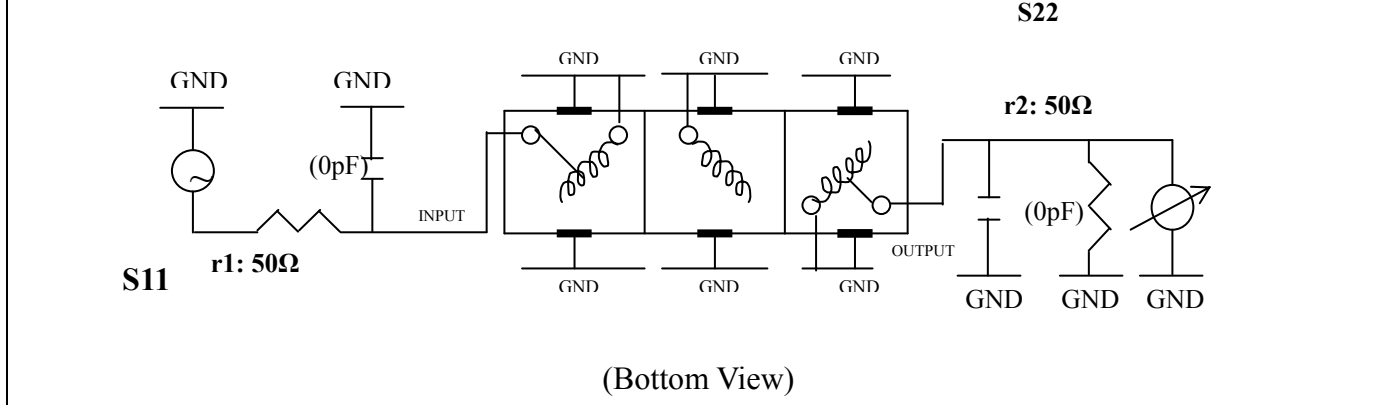
(4) Torque for Tuning Screw > 100gf · cm

(5) Temperature Condition:

| | |
|-----------------------|---------------|
| Operating Temperature | 0°C ~ +60°C |
| Storage Temperature | -20°C ~ +70°C |

(6) Input Power > 1Watt

(7) Measuring Circuit: ※Easy to match Impedance S11/S22 50Ω by parallel with about(0 pF) / (0 pF).



| | | | |
|-----------|------------|-----------|---------------------------|
| Approval | Supervisor | Designer | Aperture size |
| C.Y.Chang | C.S.Chang | C.S.Chang | 7H3S4*4.5 7H046LB4 聚 3 |

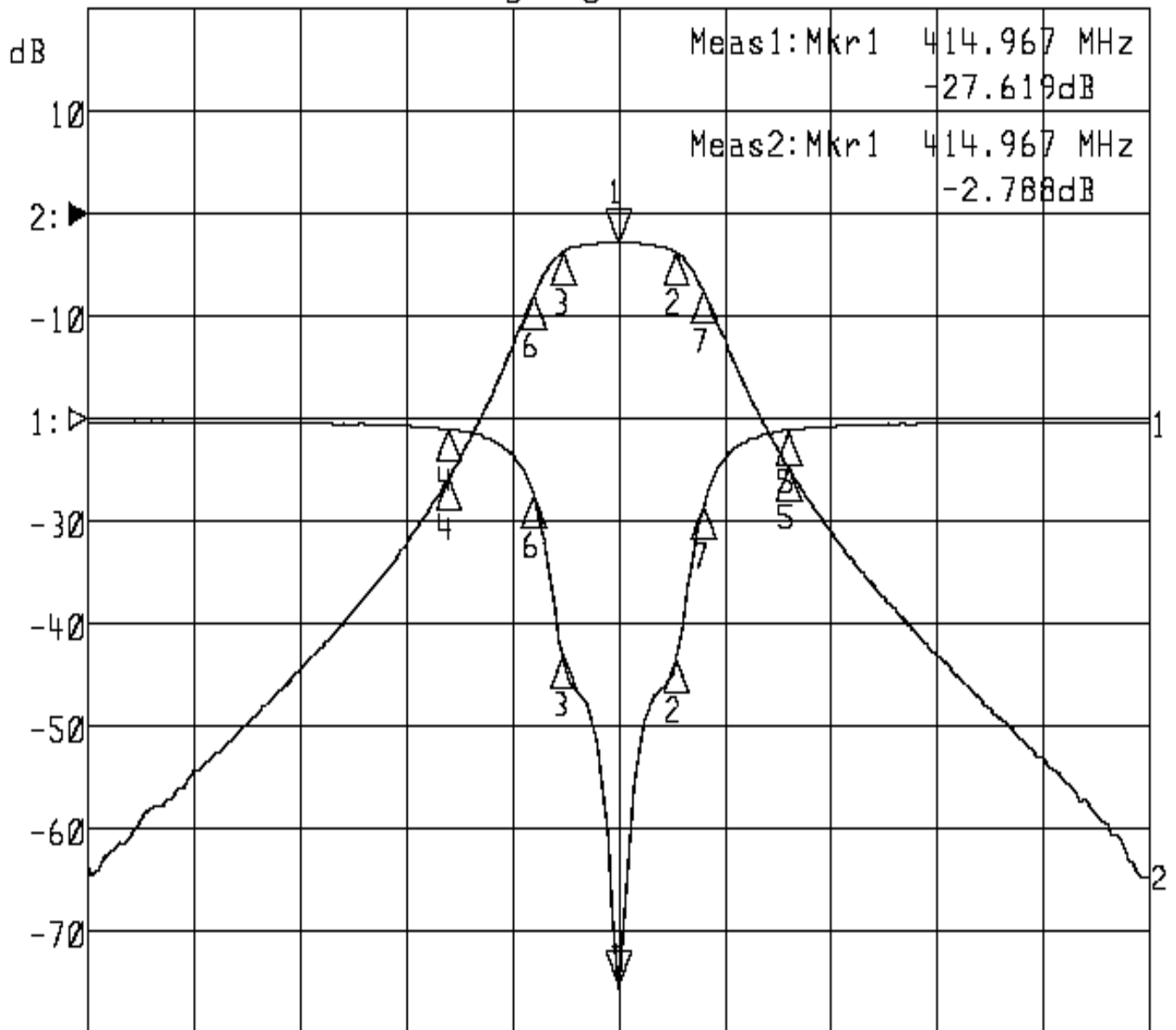
TEMWELL CORPORATION

Performance-TT67626B04-415M

20307048DB

▷1:S11 Refl Port1 Log Mag 5.0 dB/ Ref 0.00 dB C

▶2:S21 Fwd Trans Log Mag 10.0 dB/ Ref 0.00 dB C



Center 415.000 MHz

Span 100.000 MHz

| 1:Mkr (MHz) | dB | 2:Mkr (MHz) | dB |
|-------------|---------|-------------|---------|
| 1> 414.9667 | -27.619 | 1> 414.9667 | -2.788 |
| 2: 420.4000 | -11.756 | 2: 420.4000 | -3.740 |
| 3: 409.7667 | -11.537 | 3: 409.7667 | -3.736 |
| 4: 399.0000 | -0.556 | 4: 399.0000 | -25.824 |
| 5: 431.0000 | -0.568 | 5: 431.0000 | -24.777 |
| 6: 407.0000 | -3.700 | 6: 407.0000 | -7.991 |
| 7: 423.0000 | -4.279 | 7: 423.0000 | -7.449 |