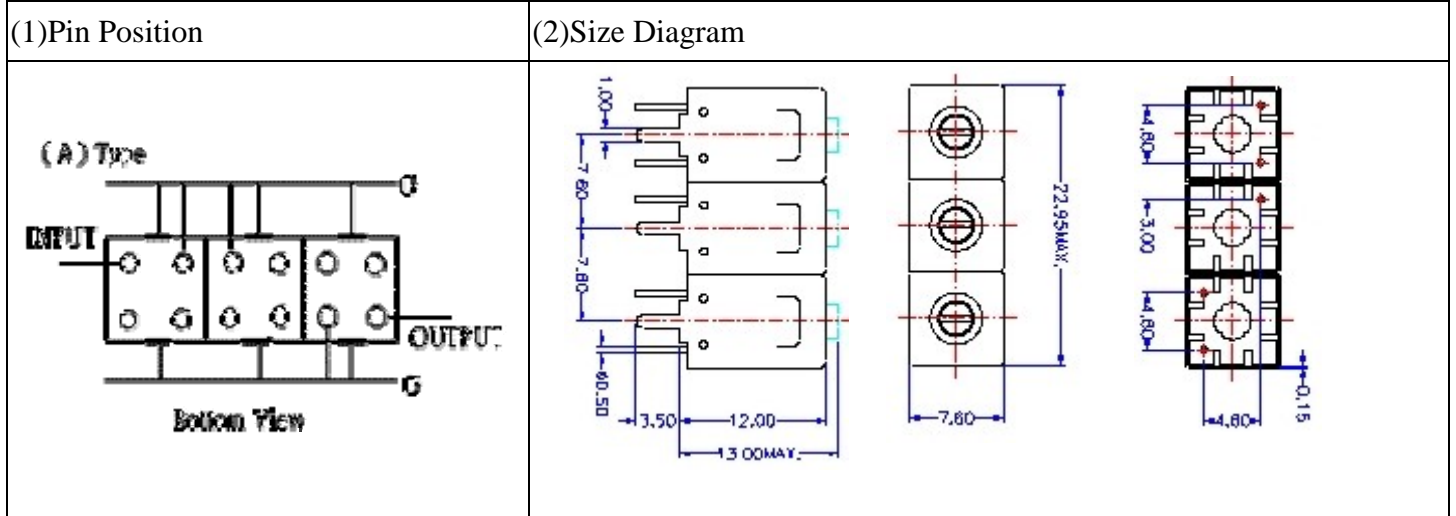


# VHF UHF Helical Filter Specification Sheet

Customer Name		Temwell's Part No.	TT67609A-927M
Approval No. /dated	20208105DC	Acceptable Specify Fo. Range	901~930MHz
Work Instruction No.	20208105DC	Date	



(3) Electric Character			
Item	Specify	Performance	
Center Freq.(Fo ) +/- 0.5 %	927 MHz	927	MHz
Tunable Range	927±5 MHz	927±5	MHz
Insertion Loss	Typ. 2.5 dB	1.5	dB
-3 dB Bandwidth	Typ. 63 MHz	72	MHz
Sensitivity (Attenuation)	Fo -150 MHz	Typ. 49	dBc
	Fo +150 MHz	Typ. 31	dBc
	Fo - ( )MHz	Typ.	dBc
	Fo +( )MHz	Typ.	dBc
Return Loss	Min. 12 dB	15.2	dB
Ripple	< 1 dB		dB
Impedance	In / Out : 50 Ω	In / Out : 50 Ω	

(4) Torque for Tuning Screw > 100gf • cm

(5) Temperature Condition:	
Operating Temperature	0°C ~ +60°C
Storage Temperature	-20°C ~ +70°C

(6) Input Power > 1Watt

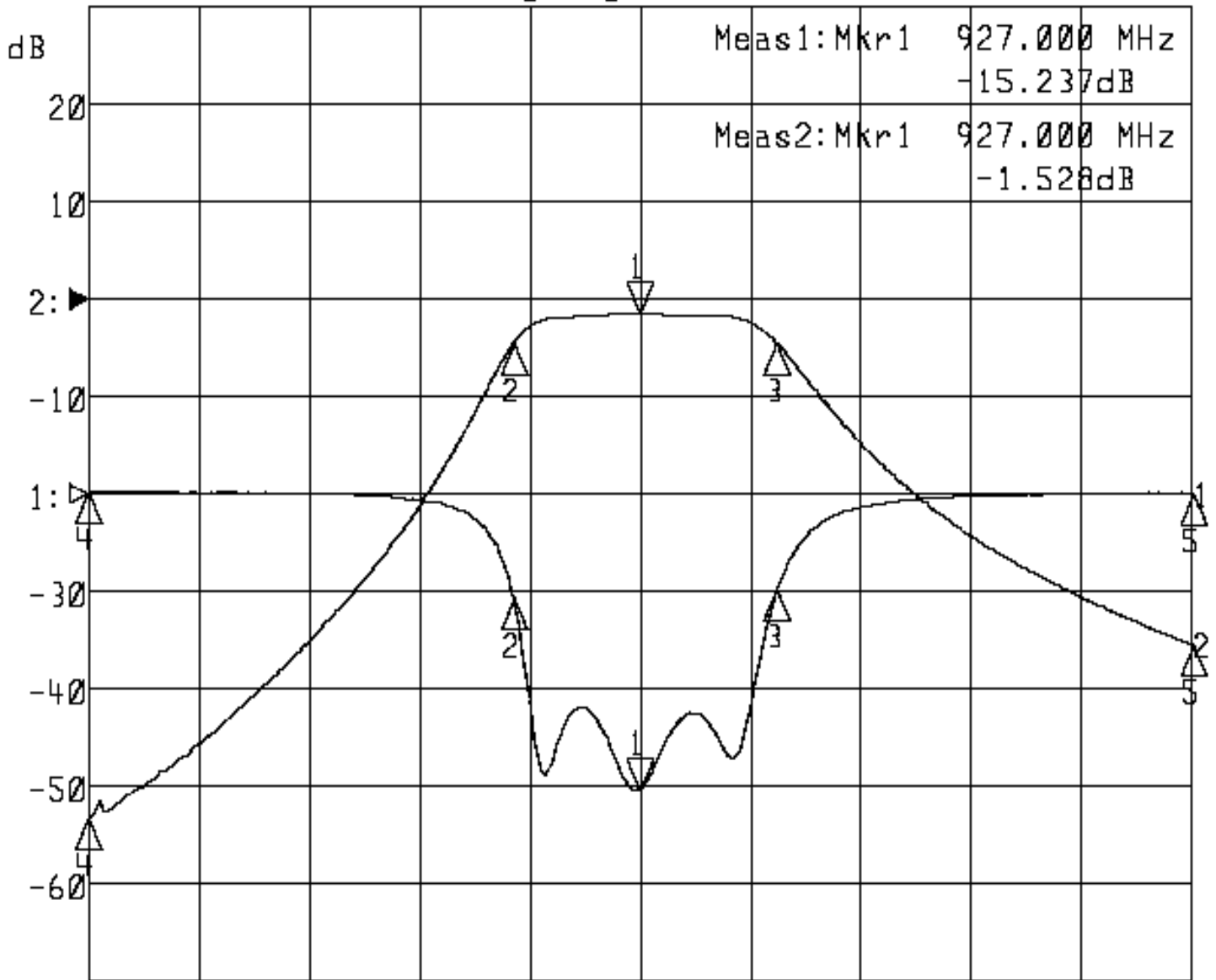
Approval	Supervisor	Designer	Aperture size
C.Y. Chang	C.S. Chang	C.S. Chang	7H3S(4*6.5)F 7H046LB5

TEMWELL CORPORATION

# Performance-TT67609A-927M

## 20208105DC

►1:S22 Ref1 Port2 Log Mag 5.0 dB/ Ref 0.00 dB C  
►2:S21 Fwd Trans Log Mag 10.0 dB/ Ref 0.00 dB C



Center 927.000 MHz

Span 300.000 MHz

1:Mkr (MHz)	dB	2:Mkr (MHz)	dB
1> 927.0000	-15.237	1> 927.0000	-1.528
2: 892.6000	-5.348	2: 892.6000	-4.521
3: 964.4000	-4.912	3: 964.4000	-4.505
4: 777.0000	0.138	4: 777.0000	-53.215
5: 1077.0000	0.054	5: 1077.0000	-35.491