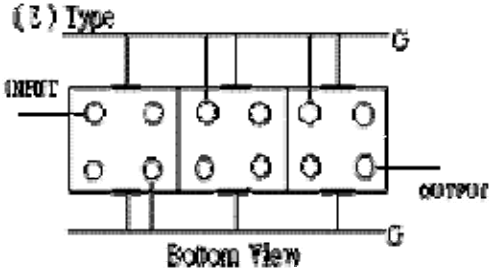
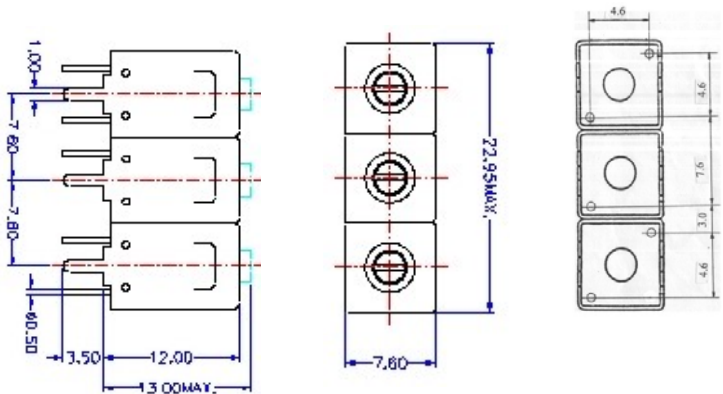


VHF UHF Helical Filter Specification Sheet

Customer Name		Temwell's Part No.	TT67601E-700M
Approval No. /dated	20204022DC	Acceptable Specify Fo. Range	661~700MHz
Work Instruction No.	20204022DC	Date	

(1) Pin Position	(2) Size Diagram
 <p style="text-align: center;">(3) Type Bottom View</p>	

(3) Electric Character		
Item	Specify	Performance
Center Freq.(Fo) +/- 0.5 %	700 MHz	700 MHz
Tunable Range	700±3 MHz	700±3 MHz
Insertion Loss	Typ. 2.5 dB	1.6 dB
-3 dB Bandwidth	Typ. 93 MHz	100 MHz
Sensitivity (Attenuation)	Fo -200 MHz	Typ. 40 dBc
	Fo +200 MHz	Typ. 40 dBc
	Fo - ()MHz	Typ. dBc
	Fo +()MHz	Typ. dBc
Return Loss	Min. 12 dB	18 dB
Ripple	< 1 dB	dB
Impedance	In / Out : 50 Ω	In / Out : 50 Ω
(4) Torque for Tuning Screw	> 100gf · cm	

(5) Temperature Condition:	
Operating Temperature	0°C ~ +60°C
Storage Temperature	-20°C ~ +70°C
(6) Input Power	> 1Watt

Approval	Supervisor	Designer	Aperture size
C.Y.Chang	C.S.Chang	C.S.Chang	7H3S(4*6.5)F 7H046LB6

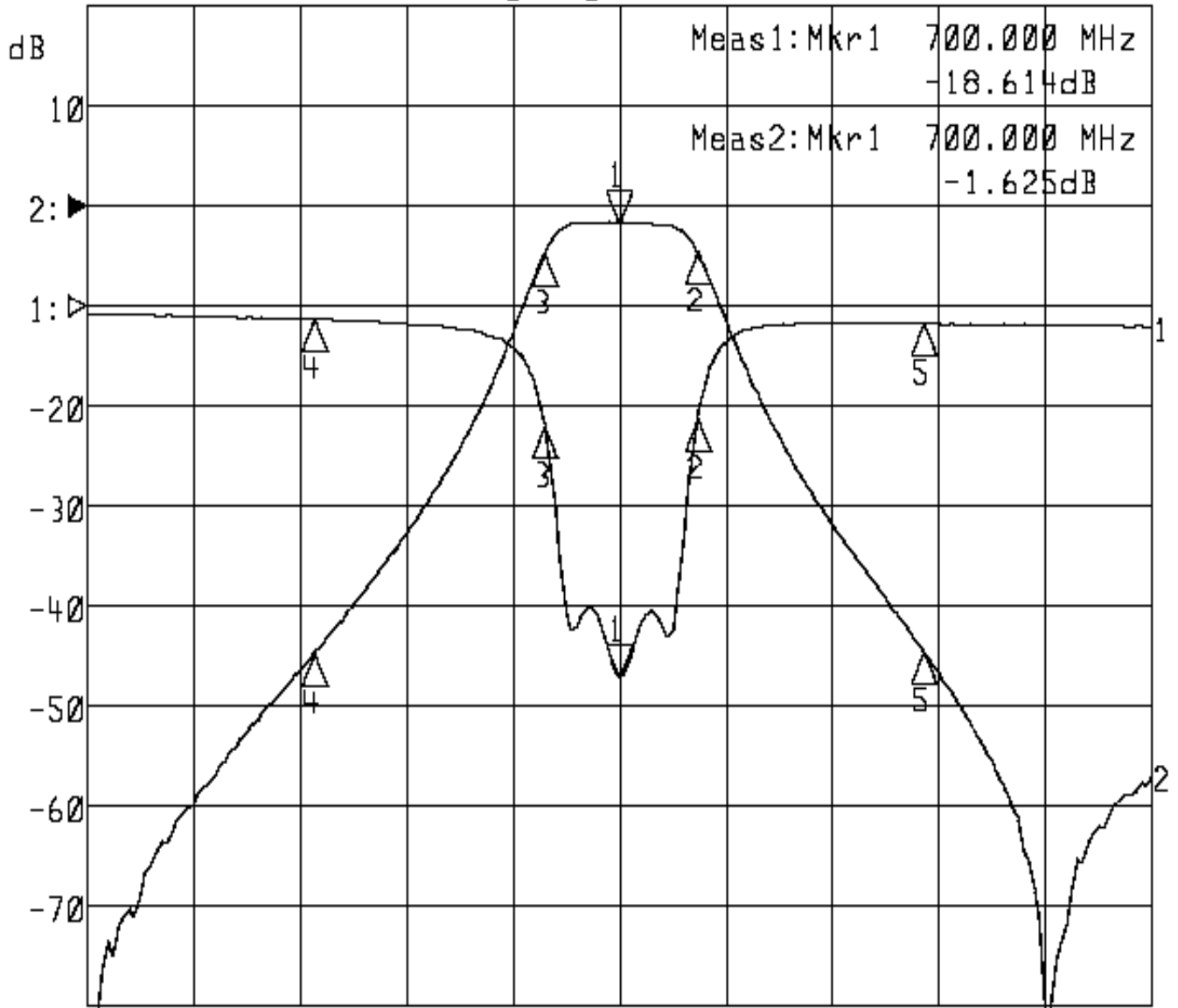
TEMWELL CORPORATION

Performance-TT67601E-700M

20204022DC

▶1:S11 Refl Port1 Log Mag 5.0 dB/ Ref 0.00 dB C

▶2:S21 Fwd Trans Log Mag 10.0 dB/ Ref 0.00 dB C



Center 700.000 MHz

Span 700.000 MHz

1: Mkr (MHz)	dB	2: Mkr (MHz)	dB
1> 700.0000	-18.614	1> 700.0000	-1.625
2: 751.6667	-5.582	2: 751.6667	-4.611
3: 651.0667	-5.960	3: 651.0667	-4.670
4: 500.0000	-0.679	4: 500.0000	-44.628
5: 900.0000	-0.903	5: 900.0000	-44.488