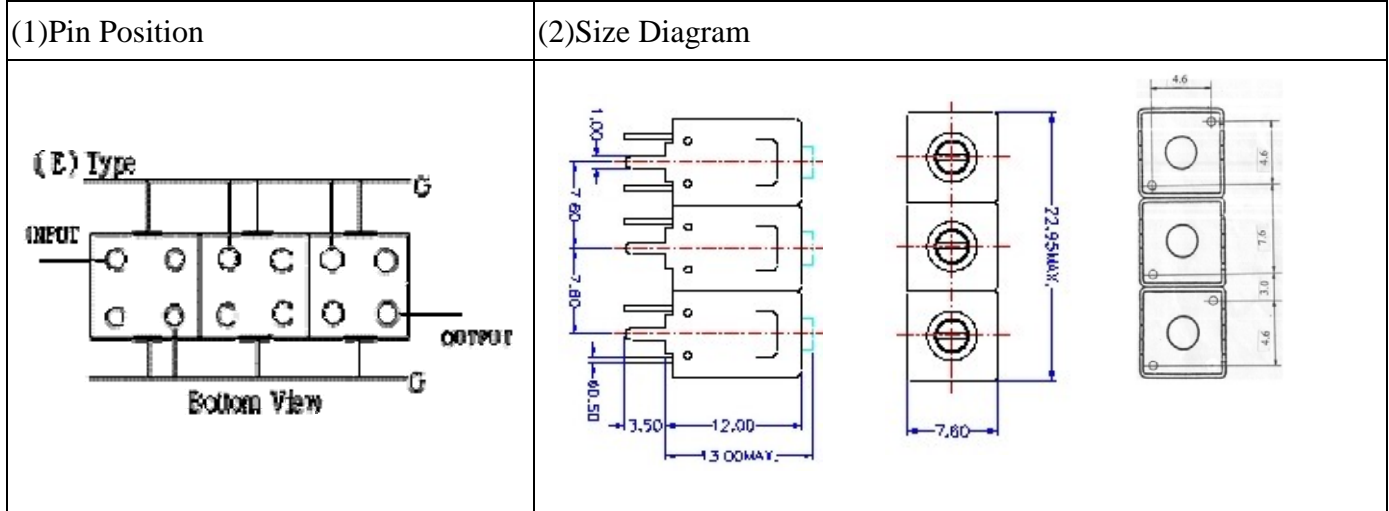


VHF UHF Helical Filter Specification Sheet

Customer Name		Temwell's Part No.	TT67600E-700M
Approval No. /dated	20204021DC	Acceptable Specify Fo. Range	661~700MHz
Work Instruction No.	20204021DC	Date	



(3) Electric Character

Item	Specify	Performance
Center Freq.(Fo) +/- 0.5 %	700 MHz	700 MHz
Tunable Range	700±3 MHz	700±3 MHz
Insertion Loss	Typ. 2.5 dB	1.5 dB
-3 dB Bandwidth	Typ. 85 MHz	92 MHz
Sensitivity (Attenuation)	Fo -200 MHz	Typ. 48 dBc
	Fo +200 MHz	Typ. 44 dBc
	Fo - ()MHz	Typ. dBc
	Fo +()MHz	Typ. dBc
Return Loss	Min. 12 dB	37 dB
Ripple	< 1 dB	dB
Impedance	In / Out : 50 Ω	In / Out : 50 Ω
(4) Torque for Tuning Screw	> 100gf · cm	

(5) Temperature Condition:

Operating Temperature	0°C ~ +60°C
Storage Temperature	-20°C ~ +70°C

(6) Input Power

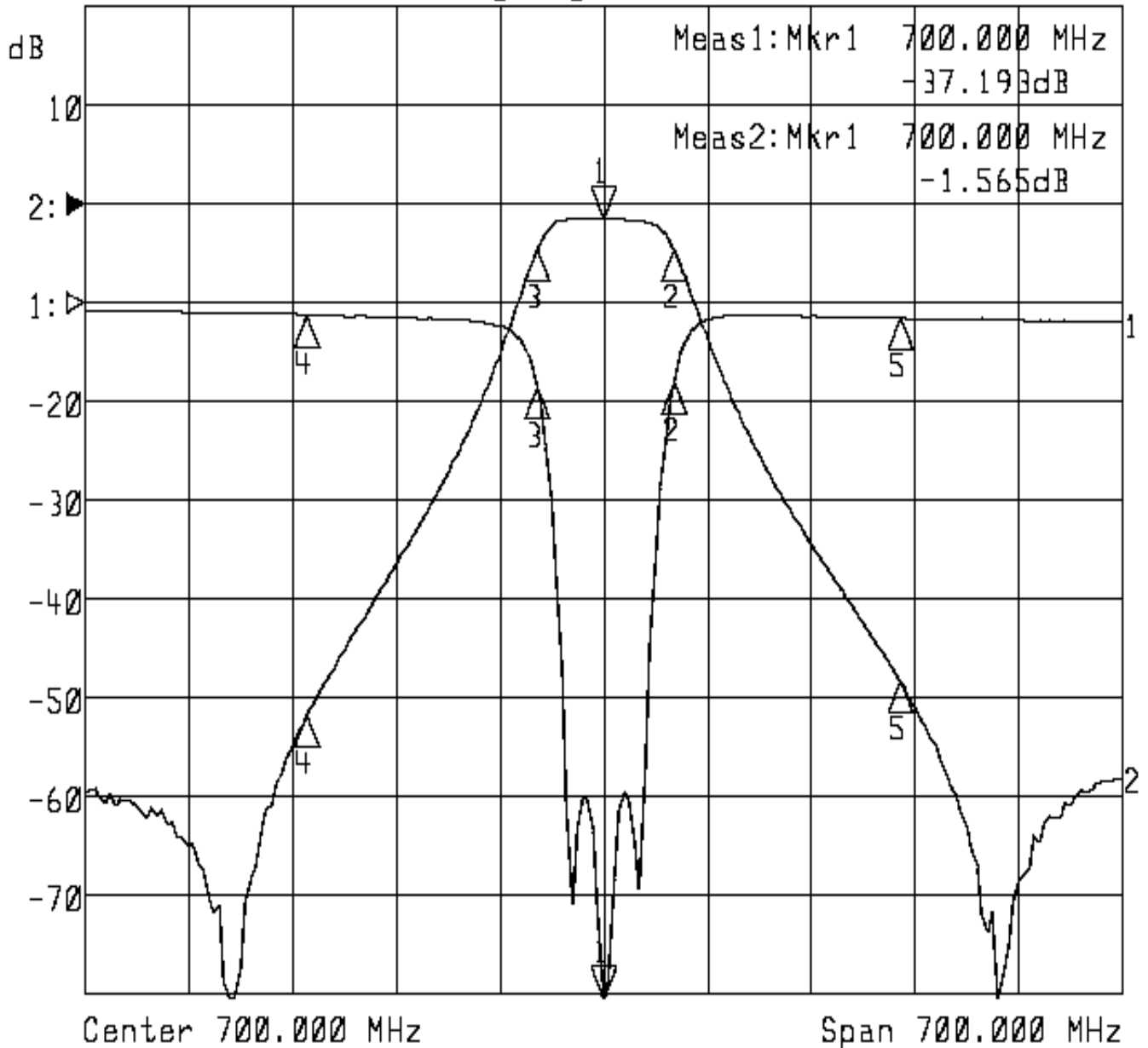
	> 1Watt		
Approval	Supervisor	Designer	Aperture size
C.Y.Chang	C.S.Chang	C.S.Chang	7H3S(4*6.5)F 7H046LB6

TEMWELL CORPORATION

Performance-TT67600E-700M

20204021DC

▶1:S11 Refl Port1 Log Mag 5.0 dB/ Ref 0.00 dB C
▶2:S21 Fwd Trans Log Mag 10.0 dB/ Ref 0.00 dB C



1: Mkr (MHz)	dB	2: Mkr (MHz)	dB
1> 700.0000	-37.193	1> 700.0000	-1.565
2: 747.5333	-4.028	2: 747.5333	-4.579
3: 655.6000	-4.281	3: 655.6000	-4.560
4: 500.0000	-0.639	4: 500.0000	-51.808
5: 900.0000	-0.799	5: 900.0000	-48.230