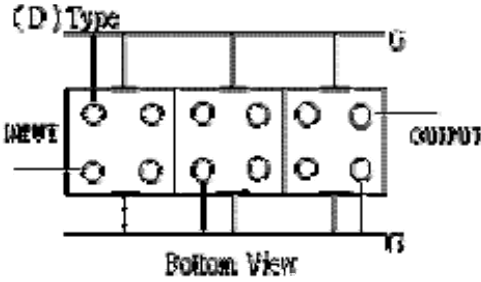
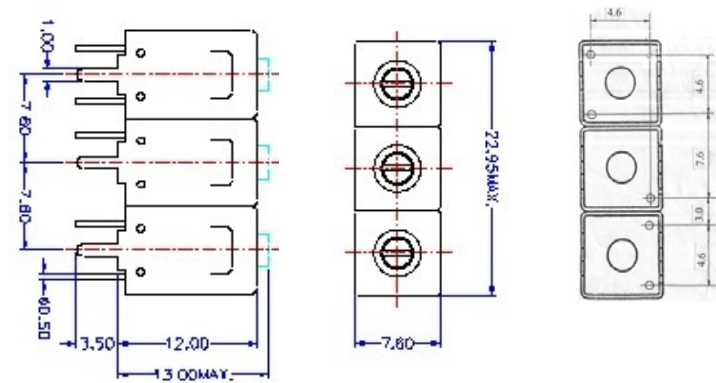


VHF UHF Helical Filter Specification Sheet

Customer Name		Temwell's Part No.	TT6759D-180M
Approval No. /dated	2007076B	Acceptable Specify Fo. Range	166~195M
Work Instruction No.	2007076B	Date	Aug.01.2000

<p>(1) Pin Position</p> 	<p>(2) Size Diagram</p> 
---	--

(3) Electric Character			
Item	Specify	Performance	
Center Freq.(Fo) +/- 0.75 %	180 MHz	180	MHz
Tunable Range	180±2 MHz	180±2	MHz
Insertion Loss	Typ. 3.0 dB	2.0	dB
-3 dB Bandwidth	Typ. 7 MHz	9	MHz
Sensitivity (Attenuation)	Fo - 20 MHz	Typ. 38 dBc	41 dBc
	Fo + 20 MHz	Typ. 29 dBc	32 dBc
	Fo - ()MHz	Typ. dBc	dBc
	Fo +()MHz	Typ. dBc	dBc
Return Loss	Min. 12 dB	47	dB
Ripple	< 1 dB		dB
Impedance	In / Out : 50 Ω	In / Out : 50 Ω	

(4) Torque for Tuning Screw > 100gf · cm

(5) Temperature Condition:	
Operating Temperature	-30°C ~ +70°C
Storage Temperature	-30°C ~ +80°C

(6) Input Power > 1 Watt

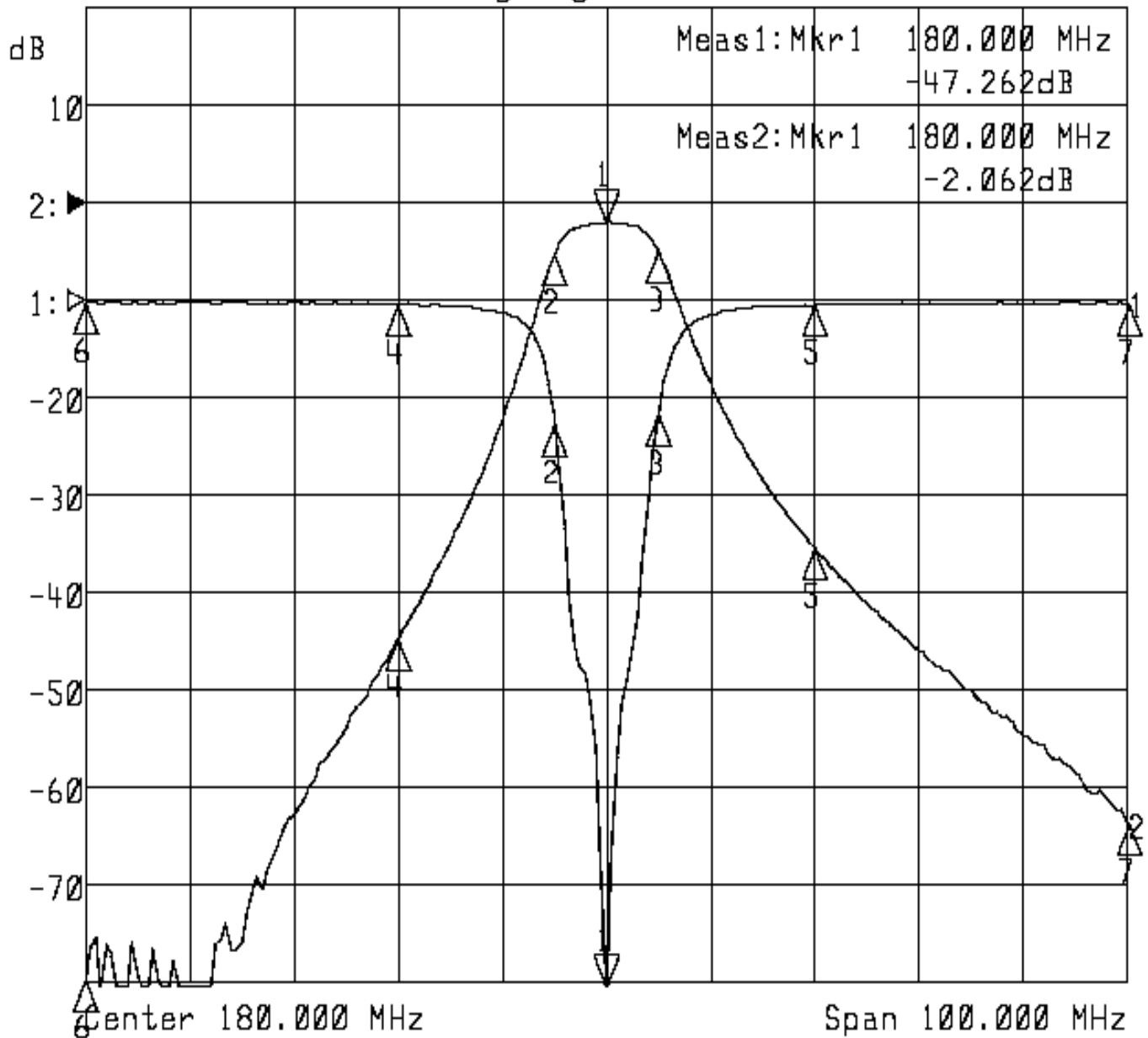
Approval	Supervisor	Designer	Aperture size
C.Y. Chang	C.S. Chang	W.W. Wang	7H3S, (4*6.5) 7H024LB4

TEMWELL CORPORATION

Performance-TT6759D-180M

2007076B

▷1:S11 Refl Port1 Log Mag 5.0 dB/ Ref 0.00 dB C
▼2:S21 Fwd Trans Log Mag 10.0 dB/ Ref 0.00 dB C



1:Mkr (MHz)	dB	2:Mkr (MHz)	dB
1> 180.0000	-47.262	1> 180.0000	-2.062
2: 175.1000	-6.395	2: 175.1000	-5.141
3: 184.9667	-5.922	3: 184.9667	-4.934
4: 160.0000	-0.218	4: 160.0000	-44.731
5: 200.0000	-0.243	5: 200.0000	-35.421
6: 130.0000	-0.163	6: 130.0000	-79.705
7: 230.0000	-0.202	7: 230.0000	-63.804