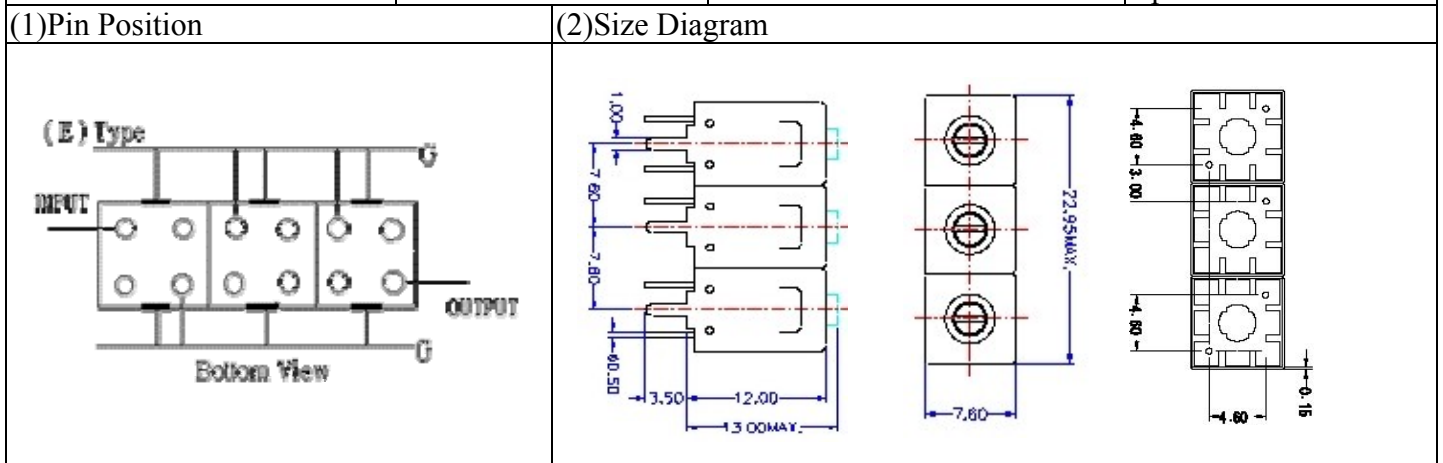


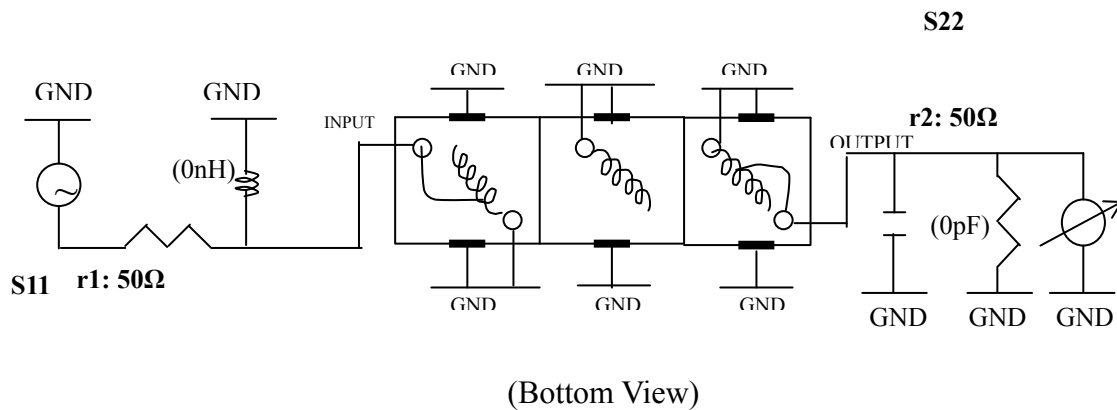
# VHF UHF Helical Filter Specification Sheet

Customer Name		Temwell's Part No.	TT6757E-135M
Approval No. /dated	0804041APR	Customer's Part No.	126~145M
Work Instruction No.	0804041CD	Date	Apr.23.2008



(3) Electric Characteristic			
Item		Specify	Performance
Center Freq.(Fo) +/- 0.5 %		135 MHz	135 MHz
Tunable Range:		135±2 MHz	135±2 MHz
Insertion Loss		Typ. 4.5 dB	4.35 dB
-3 dB Bandwidth		Typ. 4.0 MHz	5.5 MHz
Sensitivity (Attenuation)	Fo - 30 MHz	Typ. 69 dB	72 dB
	Fo + 30 MHz	Typ. 59 dB	62 dB
	Fo - ( )MHz	Typ. dB	dB
	Fo +( )MHz	Typ. dB	dB
Return Loss		Min. 12 dB	26.4 dB
Ripple		< 1 dB	dB
Impedance		In / Out : 50 Ω	In / Out : 50 Ω
(4) Torque for Tuning Screw		> 100gf · cm	
(5) Temperature Condition:			
Operating Temperature		0°C ~ +60°C	
Storage Temperature		-20°C ~ +70°C	
(6) Input Power		> 1Watt	

(7) Measuring Circuit: ※Easy to match Impedance S11/S22 50Ω by parallel with about( 0nH) / ( 0pF).



Approval	Supervisor	Designer	Aperture size
C.Y.Chang	C.S.Chang	P.H.Chiang	7H3(4*4.5F) (7H024LB6.5)

TEMWELL CORPORATION

TEMWELL

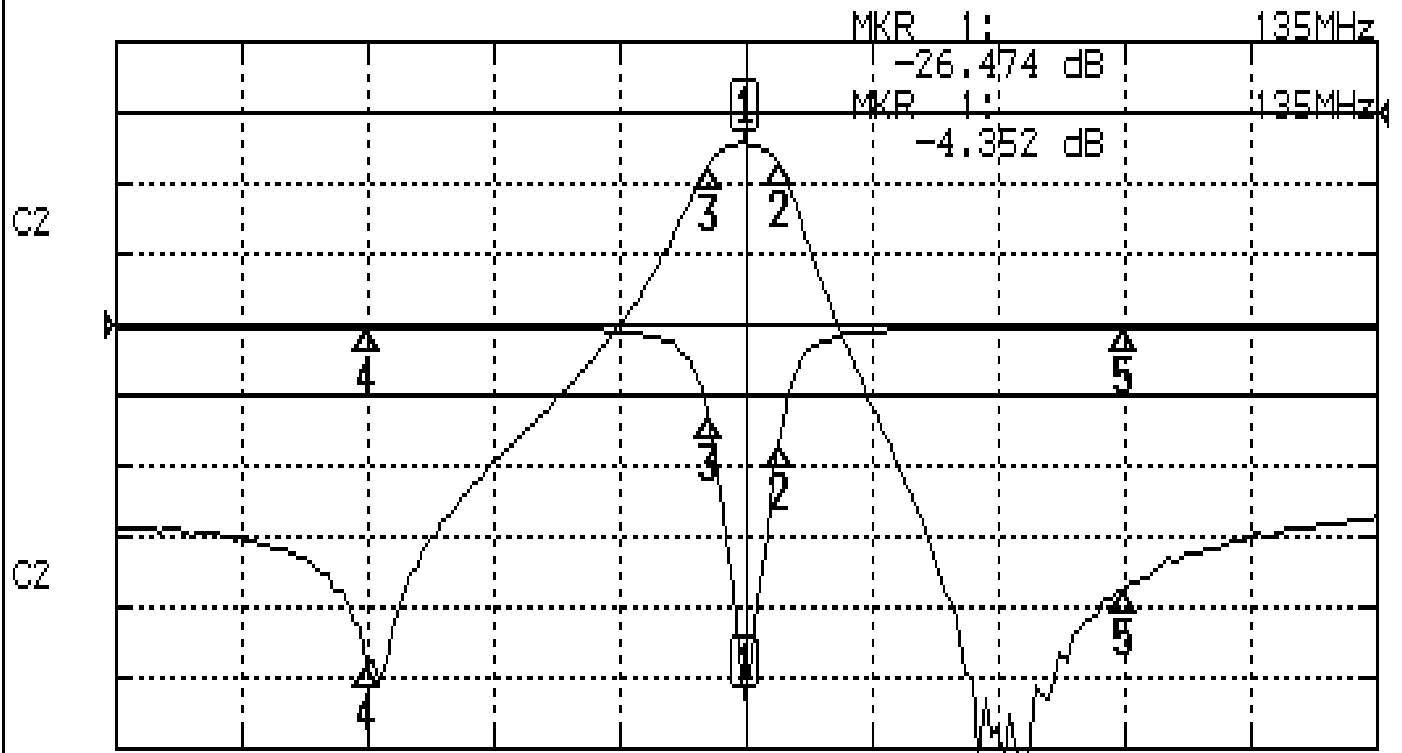
Form10-7H3E Vision D

RP(PH)

# Performance-TT6757E-135M

## 0804041CD

CH1 S11 LOG MAG REF 0.000 dB 5.000 dB/  
CH2 S21 LOG MAG REF 0.000 dB 10.000 dB/



CENTER 135MHz

[ 10.00 dBm ]

SPAN 100MHz

### CH1 MARKER LIST

Marker	Frequency (MHz)	Magnitude (dB)
1	135.0000	-26.486
2	137.6666	-16.590
3	132.0000	-16.566
4	105.0000	-10.200
5	165.0000	-0.196

### CH2 MARKER LIST

Marker	Frequency (MHz)	Magnitude (dB)
1	135.0000	-4.352
2	137.6666	-7.234
3	132.0000	-7.319
4	105.0000	-76.606
5	165.0000	-66.460