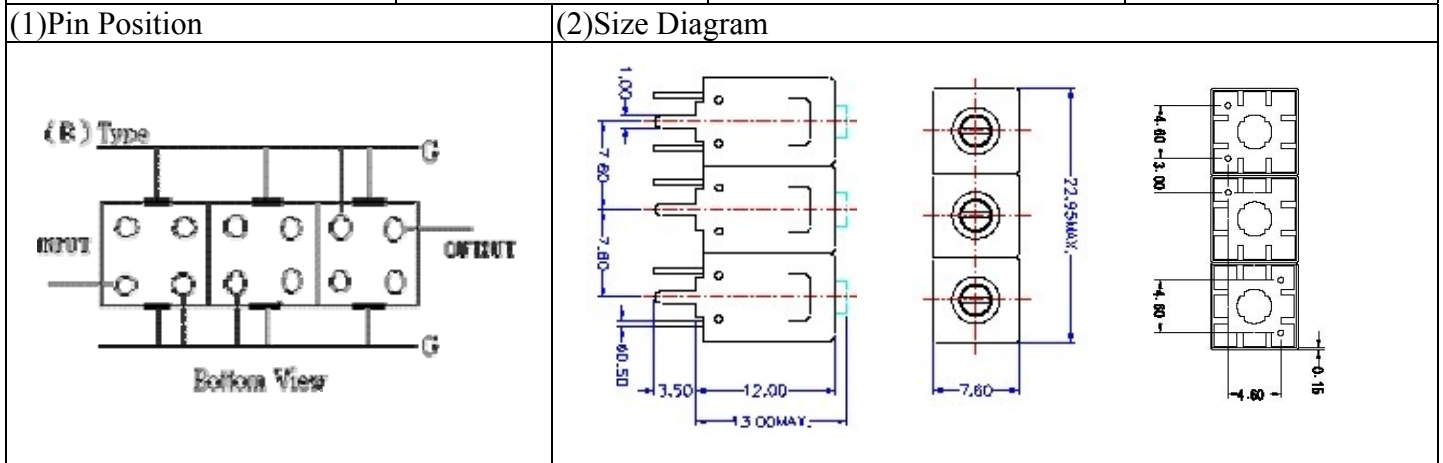


VHF UHF Helical Filter Specification Sheet

Customer Name		Temwell's Part No.	TT6757B1-140.21M
Approval No. /dated	0806094CD	Customer's Print Name.	126~145M
Work Instruction No.	0806094CD	Date	Jul.07.2008



(3) Electric Characteristic

Item	Specify	Performance	
Center Freq.(Fo) +/- 0.5 %	140.21 MHz	140.21 MHz	
Tunable Range:	140.21±2 MHz	140.21±2 MHz	
Insertion Loss	Typ. 4 dB	2.67 dB	
-3 dB Bandwidth	Typ. 7 MHz	8 MHz	
Sensitivity (Attenuation)	Fo - (10) MHz	Typ. 19 dBc	22 dBc
	Fo + (10) MHz	Typ. 23 dBc	26 dBc
	Fo - () MHz	Typ. dBc	dBc
	Fo + () MHz	Typ. dBc	dBc
Return Loss	Min. 12 dB	24.4 dB	
Ripple	< 1 dB	dB	
Impedance	In / Out : 50 Ω	In / Out : 50 Ω	

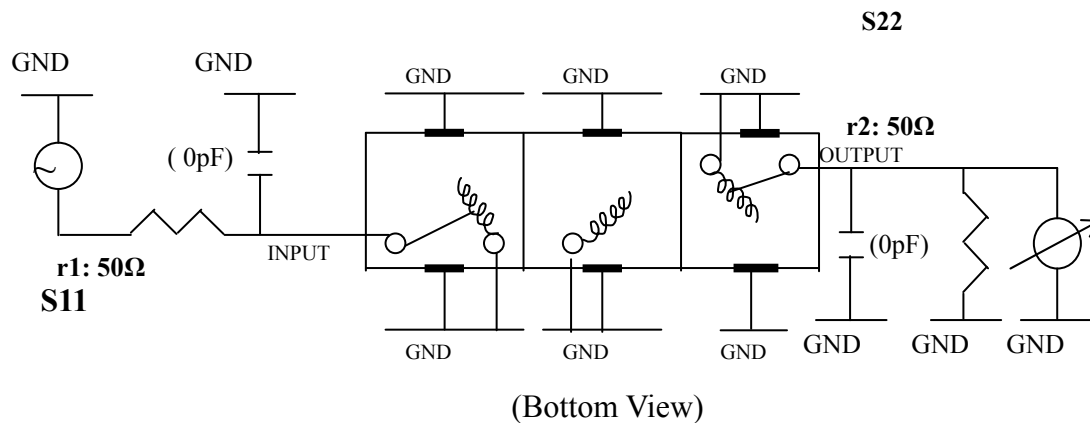
(4) Torque for Tuning Screw > 100gf · cm

(5) Temperature Condition:

Operating Temperature	0°C ~ +60°C
Storage Temperature	-20°C ~ +70°C

(6) Input Power > 1 Watt

(7) Measuring Circuit: ※Easy to match Impedance S11/S22 50Ω by parallel with about(0pF) / (0pF).



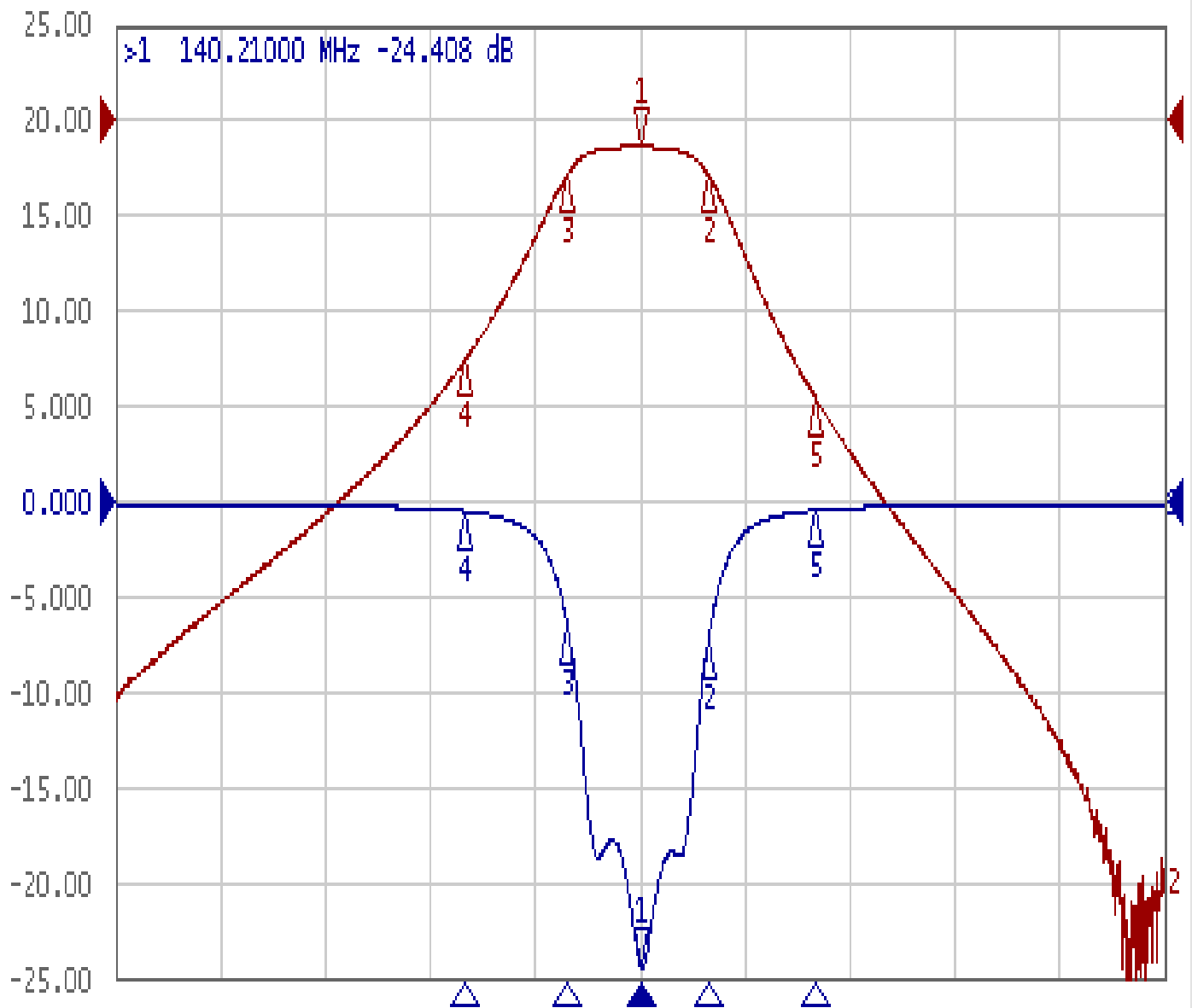
Approval C.Y.Chang	Supervisor C.S.Chang	Designer C.S.Chang	Aperture size 7H3(4*4.65F) (7H024RB6.5)
-----------------------	-------------------------	-----------------------	---

TEMWELL CORPORATION

Performance-TT6757B1-140.21M

0806094CD

▶ Tr1 S11 Log Mag 5.000dB/ Ref 0.000dB [F3]
Tr2 S21 Log Mag 10.00dB/ Ref 0.000dB [F3]



1 Center 140.21 MHz

IFBW 10 kHz

Span 60 MHz

C?

Ch1	Tr1	S11	>1	140.21000	MHz	-24.408	dB
Ch1	Tr1	S11	2	144.10200	MHz	-7.3195	dB
Ch1	Tr1	S11	3	136.02613	MHz	-6.4767	dB
Ch1	Tr1	S11	4	130.21000	MHz	-0.5002	dB
Ch1	Tr1	S11	5	150.21000	MHz	-0.4429	dB
Ch1	Tr2	S21	1	140.21000	MHz	-2.6799	dB
Ch1	Tr2	S21	2	144.10200	MHz	-5.6538	dB
Ch1	Tr2	S21	3	136.02613	MHz	-5.6574	dB
Ch1	Tr2	S21	4	130.21000	MHz	-25.073	dB
Ch1	Tr2	S21	5	150.21000	MHz	-29.053	dB