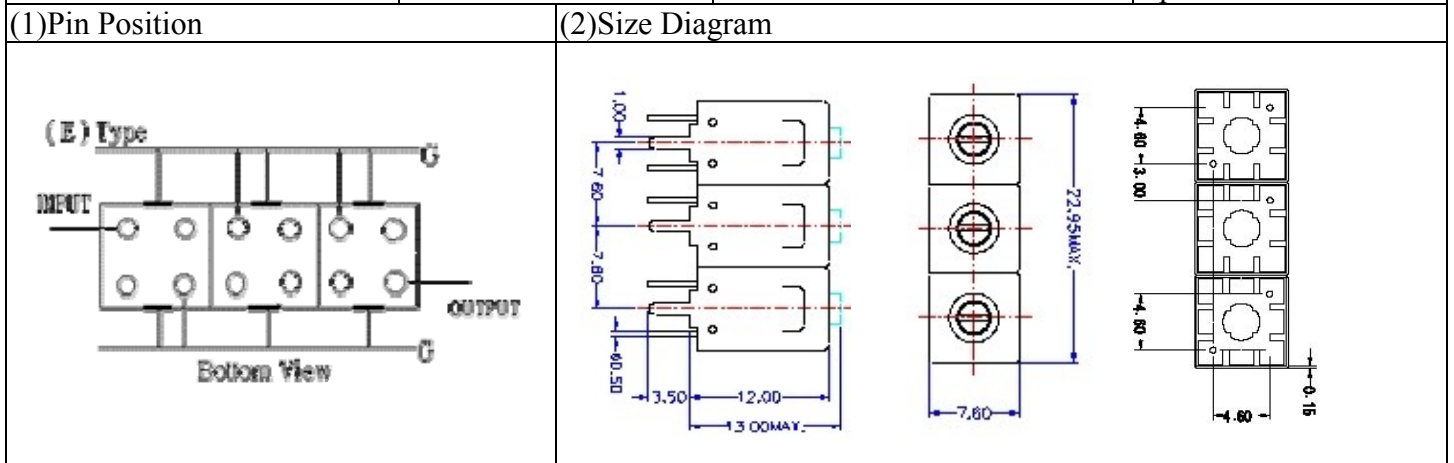


VHF UHF Helical Filter Specification Sheet

Customer Name		Temwell's Part No.	TT6755E-140M
Approval No. /dated	0804040APR	Customer's Part No.	126~145M
Work Instruction No.	0804040CD	Date	Apr.22.2008



(3) Electric Characteristic

Item	Specify	Performance
Center Freq.(Fo) +/- 0.5 %	140 MHz	140 MHz
Tunable Range:	140±2 MHz	140±2 MHz
Insertion Loss	Typ. 4.5 dB	3.83 dB
-3 dB Bandwidth	Typ. 5 MHz	6.0 MHz
Sensitivity (Attenuation)	Fo - 30 MHz	Typ. 65 dBc
	Fo + 30 MHz	Typ. 65 dBc
	Fo - ()MHz	Typ. dBc
	Fo +()MHz	Typ. dBc
Return Loss	Min. 12 dB	19.1 dB
Ripple	< 1 dB	dB
Impedance	In / Out : 50 Ω	In / Out : 50 Ω

(4) Torque for Tuning Screw > 100gf · cm

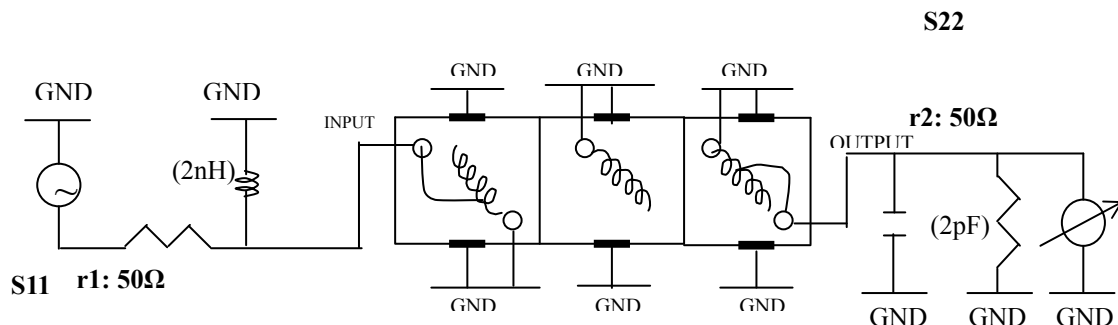
(5) Temperature Condition:

Operating Temperature 0°C ~ +60°C

Storage Temperature -20°C ~ +70°C

(6) Input Power > 1Watt

(7) Measuring Circuit: ※Easy to match Impedance S11/S22 50Ω by parallel with about(2nH) / (2pF).



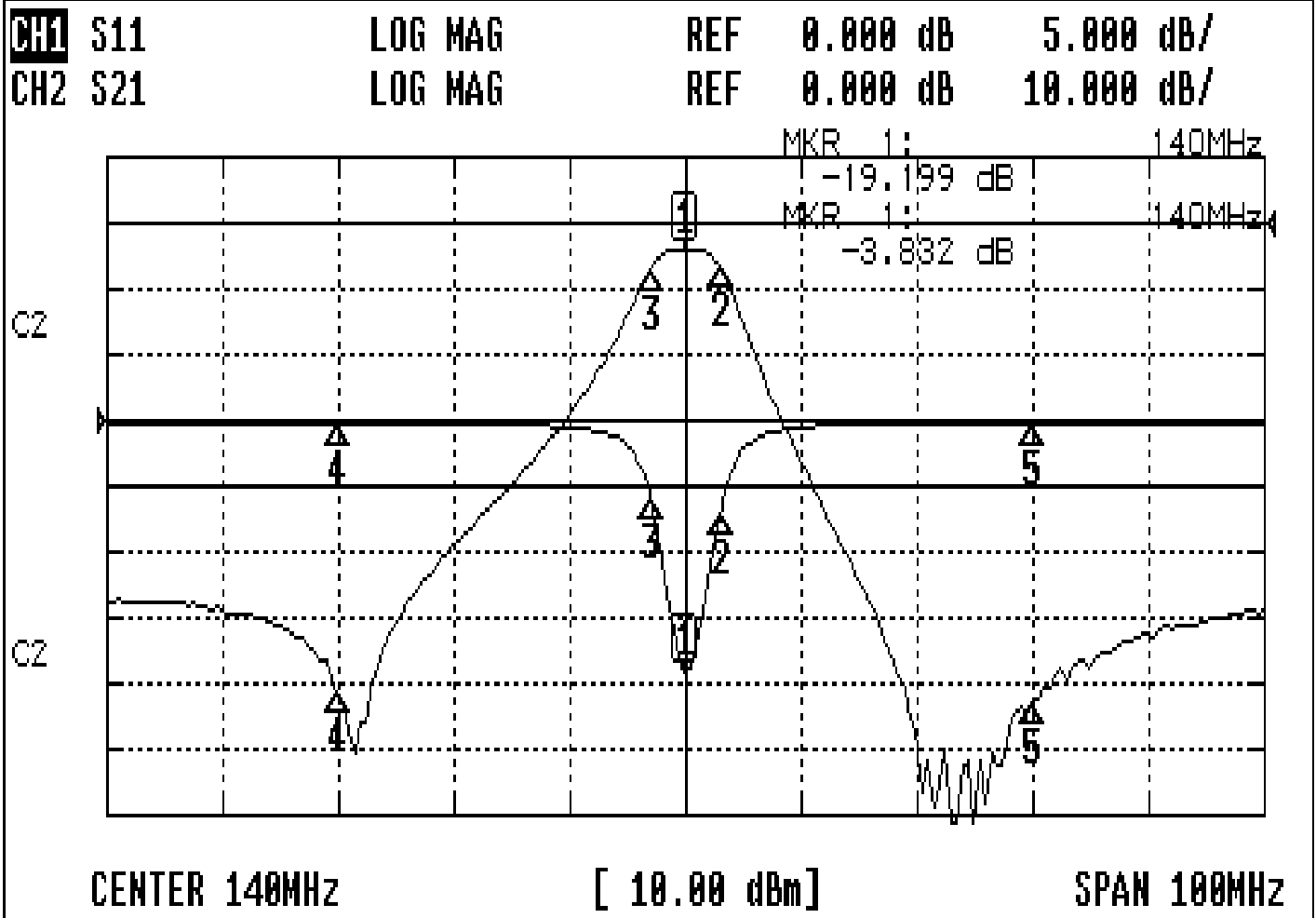
(Bottom View)

Approval C.Y.Chang	Supervisor C.S.Chang	Designer P.H.Chiang	Aperture size 7H3(4*4.5F)(6.5B) 7H024LB6.5
-----------------------	-------------------------	------------------------	--

TEMWELL CORPORATION

Performance-TT6755E-140M

0804040CD



CH1 MARKER LIST

1:	140.000MHz	-19.199 dB
2:	143.083MHz	-7.062 dB
3:	137.083MHz	-6.075 dB
4:	110.000MHz	-0.206 dB
5:	170.000MHz	-0.194 dB

CH2 MARKER LIST

1:	140.000MHz	-3.832 dB
2:	143.083MHz	-6.747 dB
3:	137.083MHz	-6.802 dB
4:	110.000MHz	-71.503 dB
5:	170.000MHz	-72.019 dB