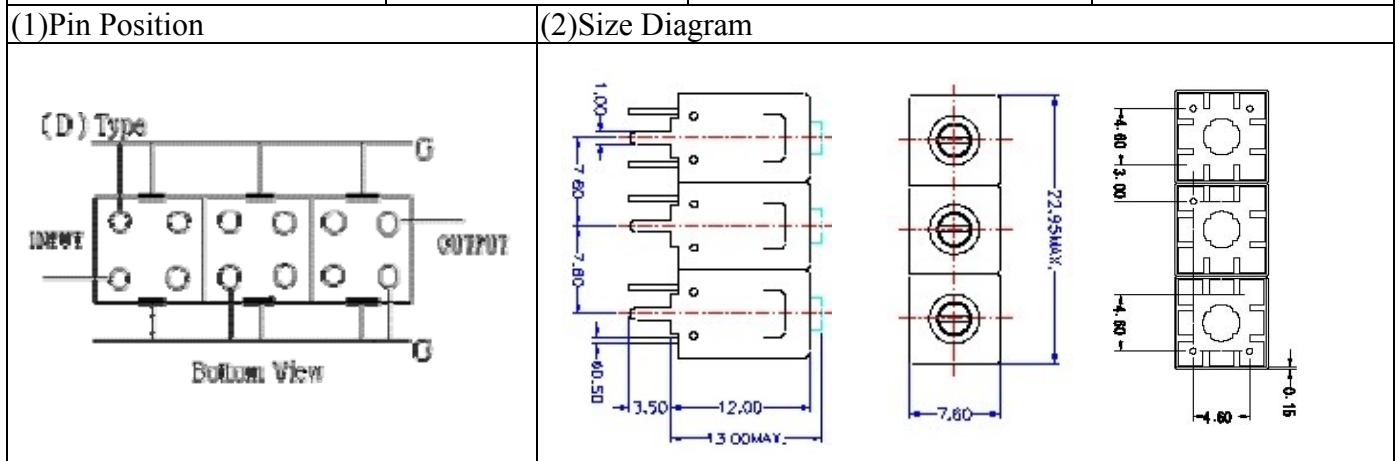


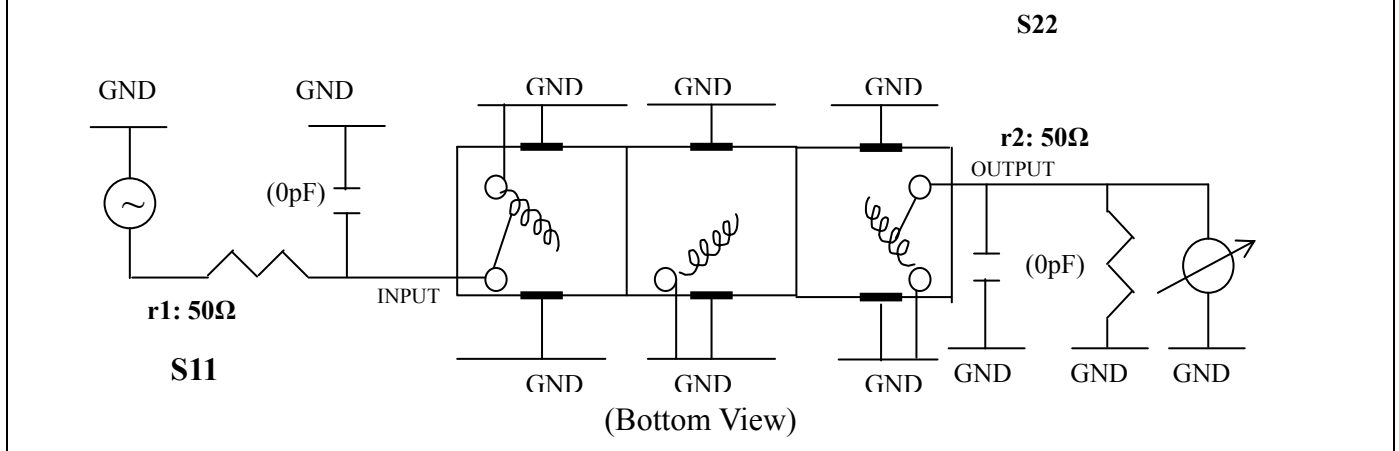
VHF UHF Helical Filter Specification Sheet

Customer Name		Temwell's Part No.	TT6755D1-140M
Approval No. /dated	200811060CD	Customer's Part Name.	126~145M
Work Instruction No.	200811060CD	Date	Nov.24.2008



(3) Electric Characteristic		Specify	Performance
Center Freq.(Fo) +/- 0.75 %		140 MHz	140 MHz
Tunable Range:		140±2 MHz	140±2 MHz
Insertion Loss		Typ. 3.5 dB	2.97 dB
-3 dB Bandwidth		Typ. 5 MHz	5.8 MHz
Sensitivity (Attenuation)	Fo - 10 MHz	Typ. 31 dBc	34 dBc
	Fo + 10 MHz	Typ. 23 dBc	26 dBc
	Fo - ()MHz	Typ. dBc	dBc
	Fo +()MHz	Typ. dBc	dBc
Return Loss		Min. 12 dB	27.8 dB
Ripple		< 1 dB	dB
Impedance		In / Out : 50 Ω	In / Out : 50 Ω
(4) Torque for Tuning Screw		> 100gf • cm	
(5) Temperature Condition:			
Operating Temperature		-30°C ~ +70°C	
Storage Temperature		-30°C ~ +80°C	
(6) Input Power		> 1Watt	

(7) Measuring Circuit: ※Easy to match Impedance S11/S22 50Ω/ by parallel with about(0pF) / (0pF).

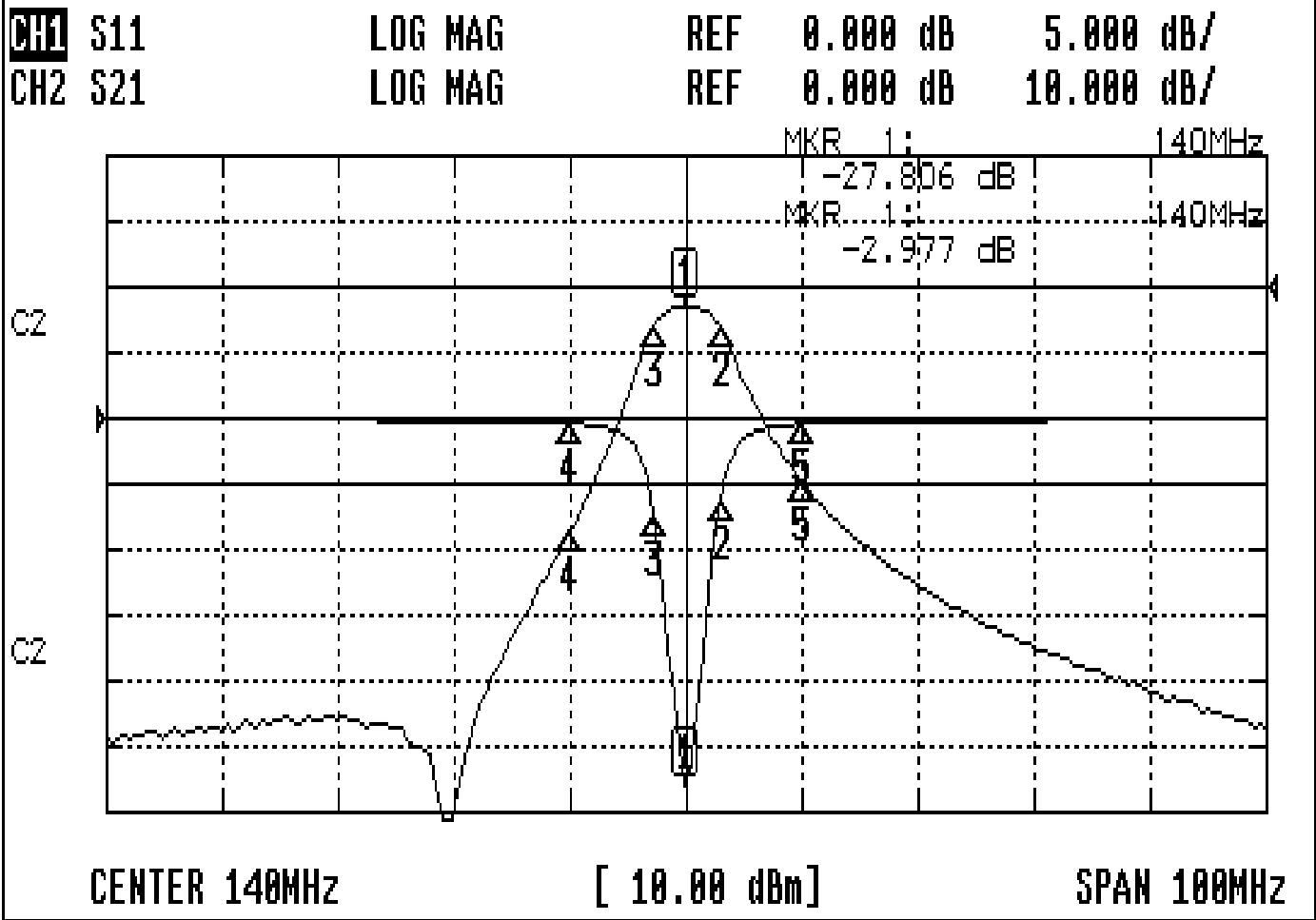


Approval	Supervisor	Designer	Aperture size
C.Y.Chang	C.S.Chang	P.H.Chiang	7H3S(4*6.35F) 7H024LB4

TEMWELL CORPORATION

Performance-TT6755D1-140M

200811060CD



CH1 MARKER LIST

1	140.000MHz	-27.806	dB
2	143.000MHz	-16.052	dB
3	137.250MHz	-7.310	dB
4	130.000MHz	-0.346	dB
5	150.000MHz	-0.386	dB

CH2 MARKER LIST

1	140.000MHz	-2.977	dB
2	143.000MHz	-1.111	dB
3	137.250MHz	-0.987	dB
4	130.000MHz	-1.301	dB
5	150.000MHz	-29.401	dB