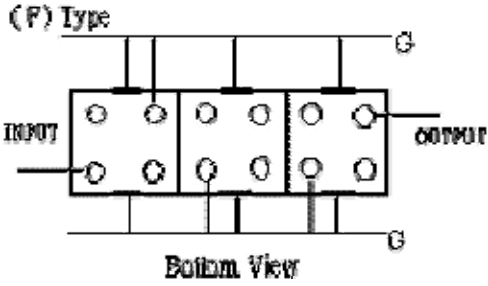
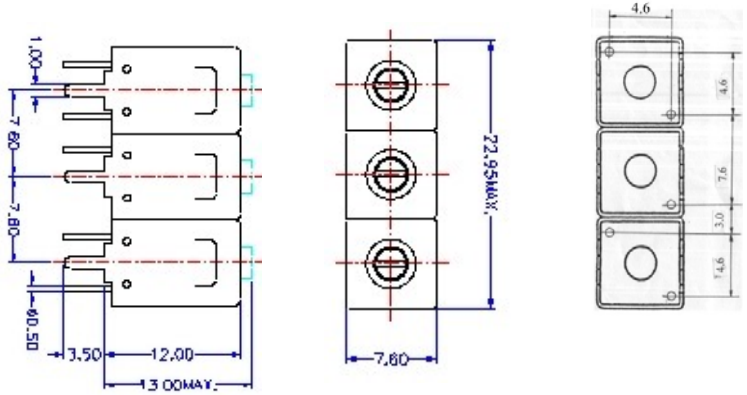


VHF UHF Helical Filter Specification Sheet

Customer Name		Temwell's Part No.	TT67556F-947.5M
Approval No. /dated	20308025DC	Acceptable Specify Fo. Range	931~950MHz
Work Instruction No.	20308025DC	Date	

(1)Pin Position	(2)Size Diagram
 <p>(F) Type Bottom View</p>	

(3)Electric Character			
Item		Specify	Performance
Center Freq.(Fo) +/- 0.5 %		947.5 MHz	947.5 MHz
Tunable Range		947.5±10 MHz	947.5±10 MHz
Insertion Loss		Typ. 3.5 dB	2.5 dB
-1 dB Bandwidth		Typ. 10 MHz	16 MHz
-3 dB Bandwidth		Typ. 15 MHz	20 MHz
Sensitivity (Attenuation)	Fo -100 MHz	Typ. 60 dBc	62 dBc
	Fo +100 MHz	Typ. 35 dBc	37 dBc
	Fo - ()MHz	Typ. dBc	dBc
	Fo +()MHz	Typ. dBc	dBc
Return Loss		Min. 12 dB	28 dB
Ripple		< 1 dB	dB
Impedance		In / Out : 50 Ω	In / Out : 50 Ω
(4)Torque for Tuning Screw		> 100gf • cm	

(5)Temperature Condition:	
Operating Temperature	0°C ~ +60°C
Storage Temperature	-20°C ~ +70°C
(6)Input Power	> 1Watt

Approval	Supervisor	Designer	Aperture size
C.Y.Chang	C.S.Chang	C.S.Chang	7H3S(4*6.5)F 7H046LB4 聚 3

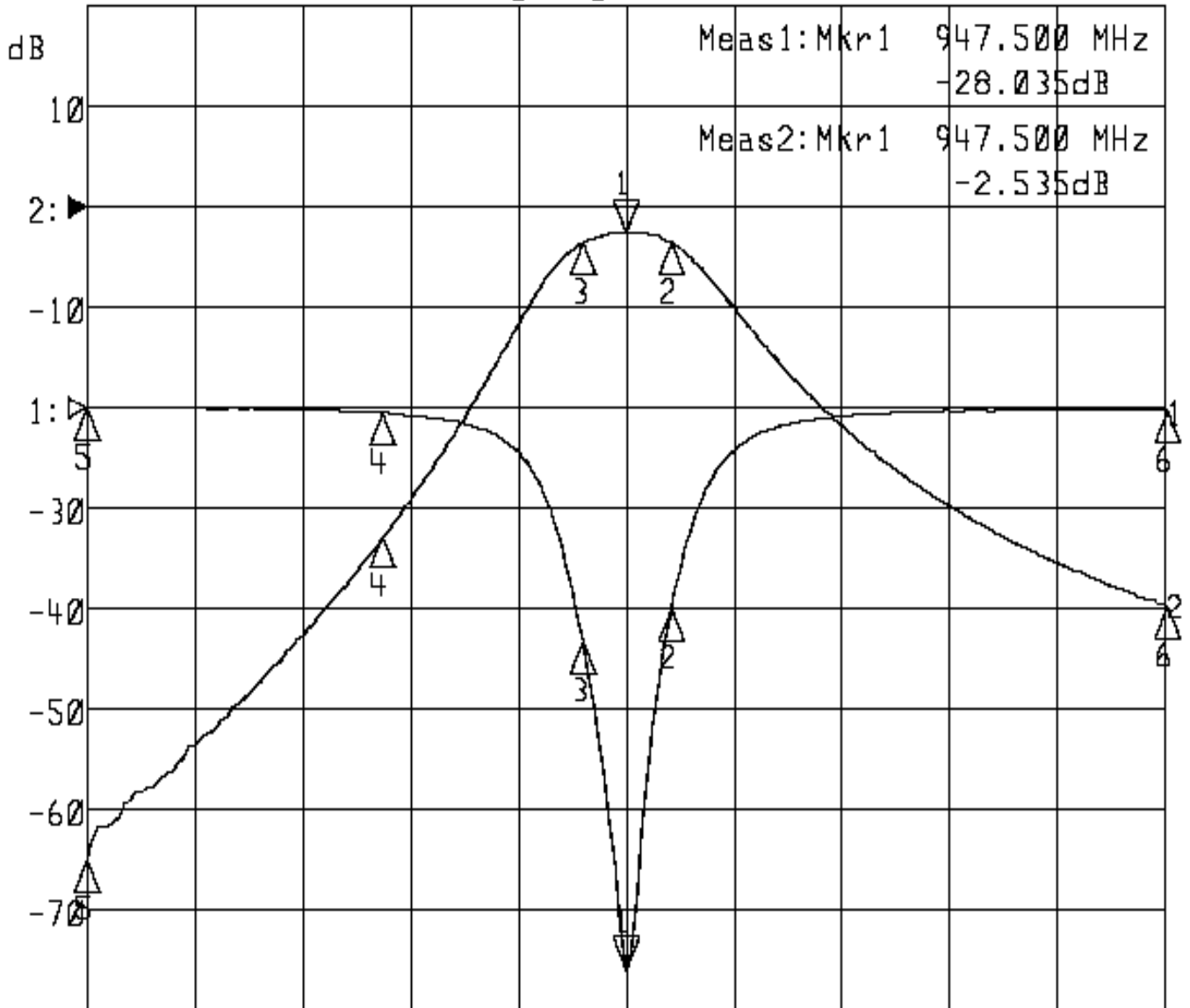
TEMWELL CORPORATION

Performance-TT67556F-947.5M

20308025DC

▷1:S11 Refl Port1 Log Mag 5.0 dB/ Ref 0.00 dB C

▶2:S21 Fwd Trans Log Mag 10.0 dB/ Ref 0.00 dB C



Center 947.500 MHz

Span 200.000 MHz

1: Mkr (MHz)	dB	2: Mkr (MHz)	dB
1> 947.5000	-28.035	1> 947.5000	-2.535
2: 955.9000	-10.000	2: 955.9000	-3.538
3: 939.5000	-11.586	3: 939.5000	-3.574
4: 902.5000	-0.274	4: 902.5000	-32.851
5: 847.5000	0.007	5: 847.5000	-64.983
6: 1047.5000	-0.129	6: 1047.5000	-39.684