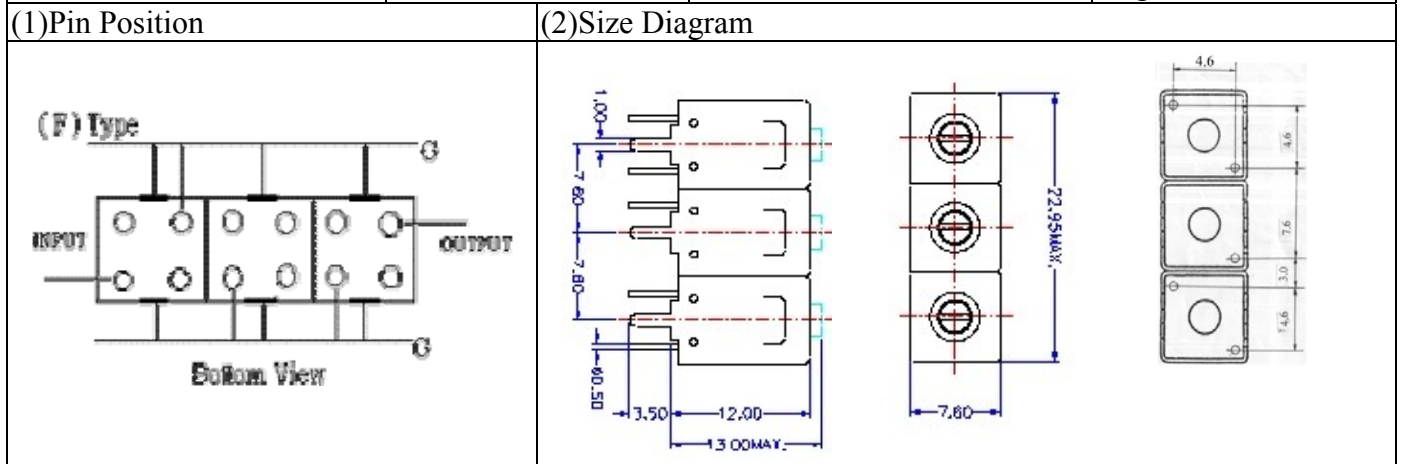


VHF UHF Helical Filter Specification Sheet

Customer Name		Temwell's Part No.	TT67553F-500M
Approval No. /dated	0607079DC	Acceptable Specify Fo Range	456~515MHz
Work Instruction No.	0607079DC	Date	Aug.11.2006



(3) Electric Character

Item	Specify	Performance	
Center Freq.(Fo) +/- 0.5 %	500 MHz	500 MHz	
Tunable Range	500±5 MHz	500±5 MHz	
Insertion Loss	Typ. 3.0 dB	2.07 dB	
-3 dB Bandwidth	Typ. 15 MHz	18.5 MHz	
Sensitivity (Attenuation)	Fo - 50 MHz	Typ. 38 dBc	41 dBc
	Fo + 50 MHz	Typ. 38 dBc	41 dBc
	Fo - ()MHz	Typ. dBc	dBc
	Fo +()MHz	Typ. dBc	dBc
Return Loss	Min. 12 dB	34.6 dB	
Ripple	< 1 dB	dB	
Impedance	In / Out : 50 Ω	In / Out : 50 Ω	

(4) Torque for Tuning Screw

> 100gf · cm

(5) Temperature Condition:

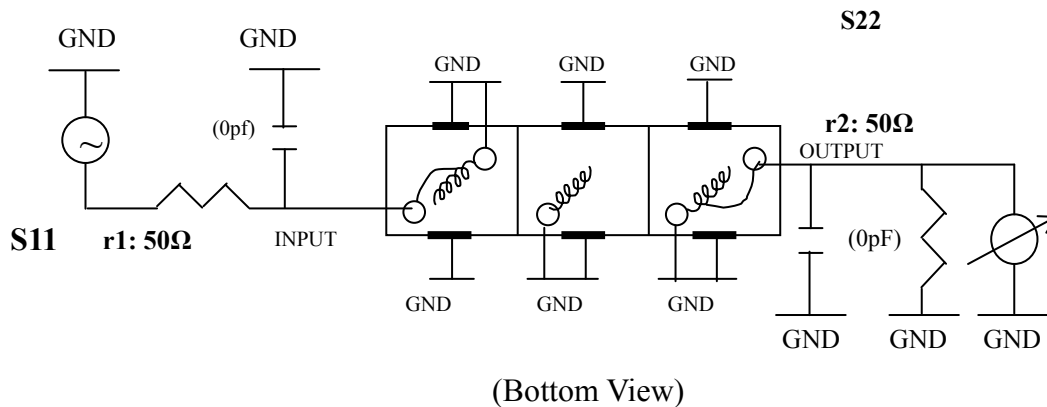
Operating Temperature	0°C ~ +60°C
-----------------------	-------------

Storage Temperature	-20°C ~ +70°C
---------------------	---------------

(6) Input Power

> 1Watt

(7) Measuring Circuit: ※Easy to match Impedance S11/S22 50Ω/ by parallel with about(0)/(0pf).



Approval	Supervisor	Designer	Aperture size
C.Y.Chang	C.S.Chang	P.H.Chiang	7H3(4*5.5)(5.58) 7H046RB4
TEMWELL CORPORATION			

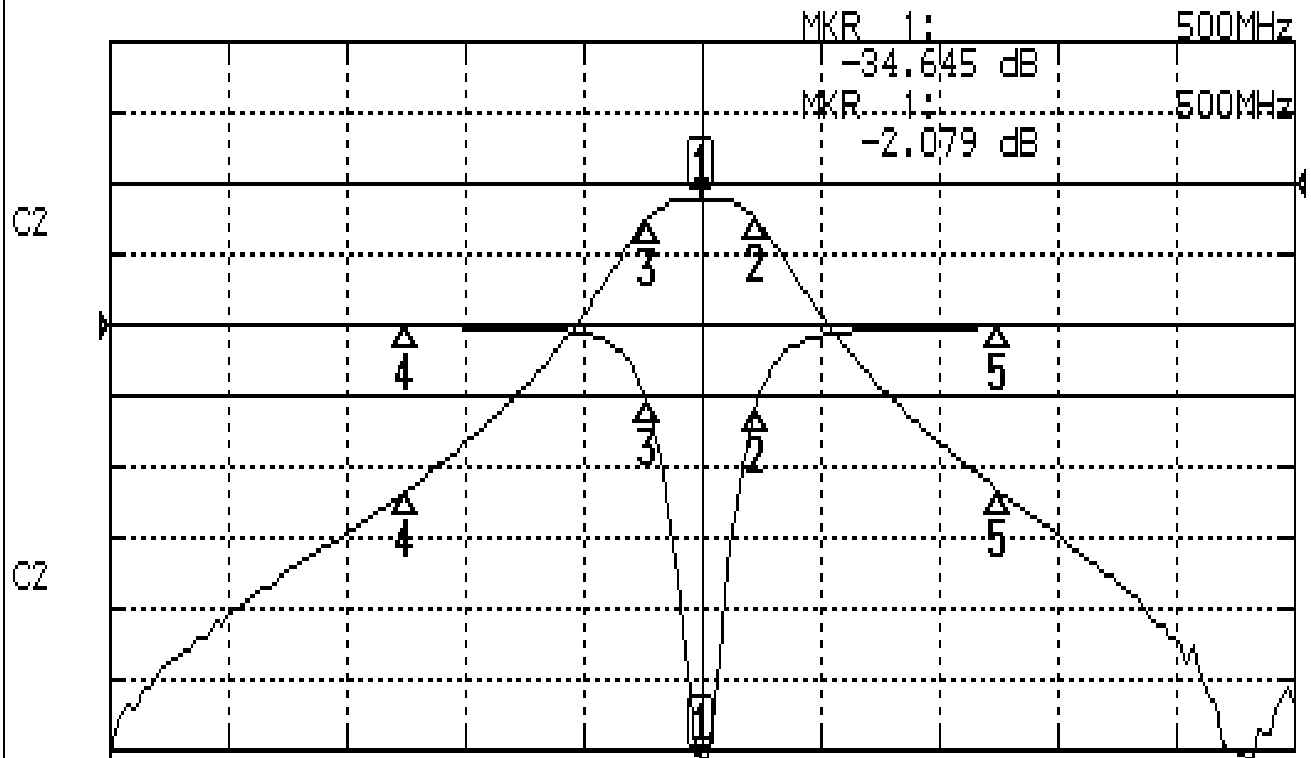
TEMWELL

RP(P.H)

Performance-TT67553F-500M

0607079DC

CH1 S11 LOG MAG REF 0.000 dB 5.000 dB/
CH2 S21 LOG MAG REF 0.000 dB 10.000 dB/



CENTER 500MHz

[10.00 dBm]

SPAN 200MHz

CH1 MARKER LIST

1:	500.000MHz	-34.675 dB
2:	509.333MHz	-15.651 dB
3:	490.833MHz	-15.442 dB
4:	450.000MHz	-0.085 dB
5:	550.000MHz	-0.133 dB

CH2 MARKER LIST

1:	500.000MHz	-2.079 dB
2:	509.333MHz	-15.061 dB
3:	490.833MHz	-15.038 dB
4:	450.000MHz	-43.350 dB
5:	550.000MHz	-43.301 dB