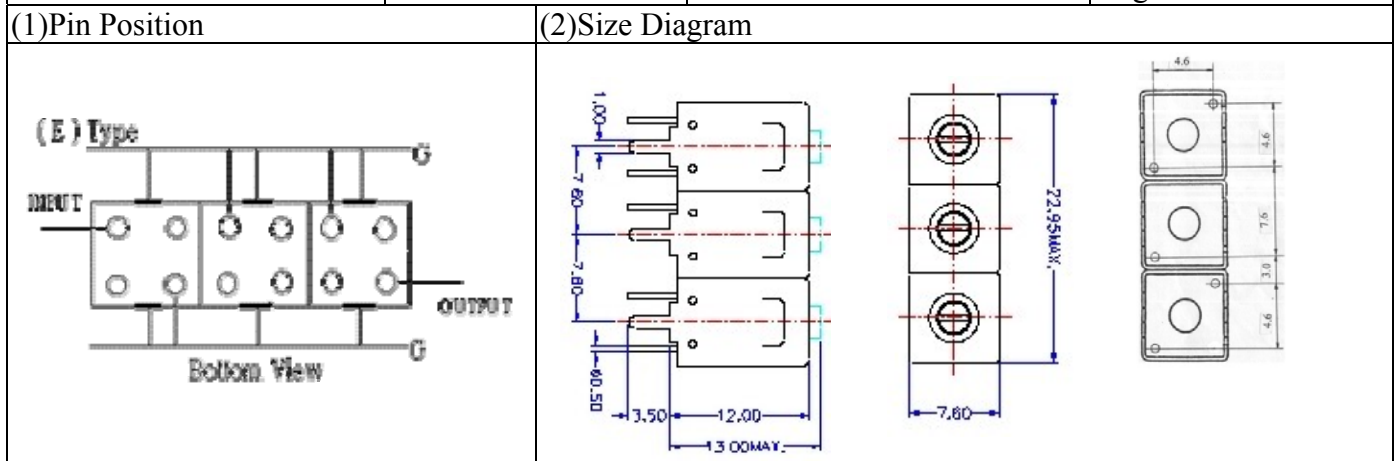


VHF UHF Helical Filter Specification Sheet

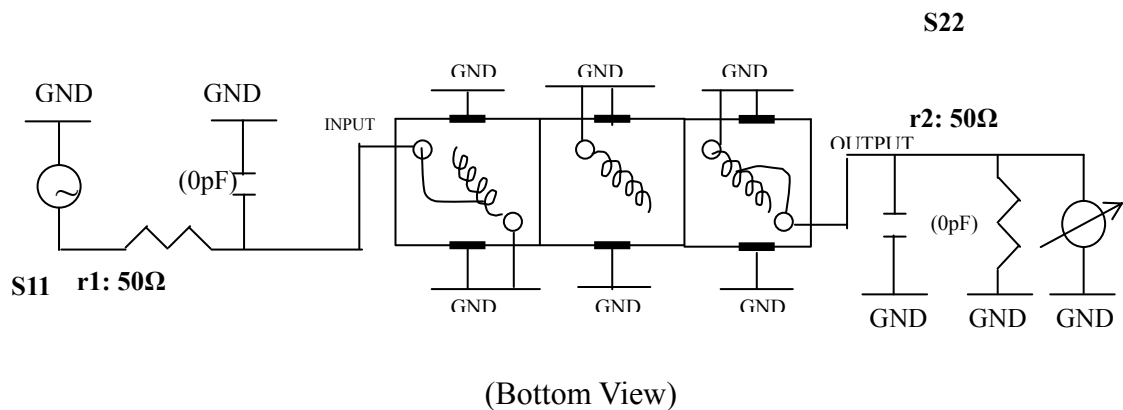
Customer Name		Temwell's Part No.	TT67553E-480M
Approval No. /dated	0607073DC	Acceptable Specify Fo Range	456~515MHz
Work Instruction No.	0607073DC	Date	Aug.09.2006



(3) Electric Character

Item	Specify	Performance
Center Freq.(Fo) +/- 0.5 %	480 MHz	480 MHz
Tunable Range	480±5 MHz	480±5 MHz
Insertion Loss	Typ. 3.0 dB	2.05 dB
-3 dB Bandwidth	Typ. 14 MHz	17.4 MHz
Sensitivity (Attenuation)	Fo - 100 MHz	Typ. 62 dBc
	Fo + 100 MHz	Typ. 47 dBc
	Fo - ()MHz	Typ. dBc
	Fo +()MHz	Typ. dBc
Return Loss	Min. 12 dB	29.8 dB
Ripple	< 1 dB	dB
Impedance	In / Out : 50 Ω	In / Out : 50 Ω
(4) Torque for Tuning Screw	> 100gf • cm	
(5) Temperature Condition:		
Operating Temperature	0°C ~ +60°C	
Storage Temperature	-20°C ~ +70°C	
(6) Input Power	> 1Watt	

(7) Measuring Circuit: ※Easy to match Impedance S11/S22 50Ω/ by parallel with about(0 pF) / (0 pF).



Approval	Supervisor	Designer	Aperture size
C.Y.Chang	C.S.Chang	P.H.Chiang	7H3(4*5.5)(5.57) 7H046RB4

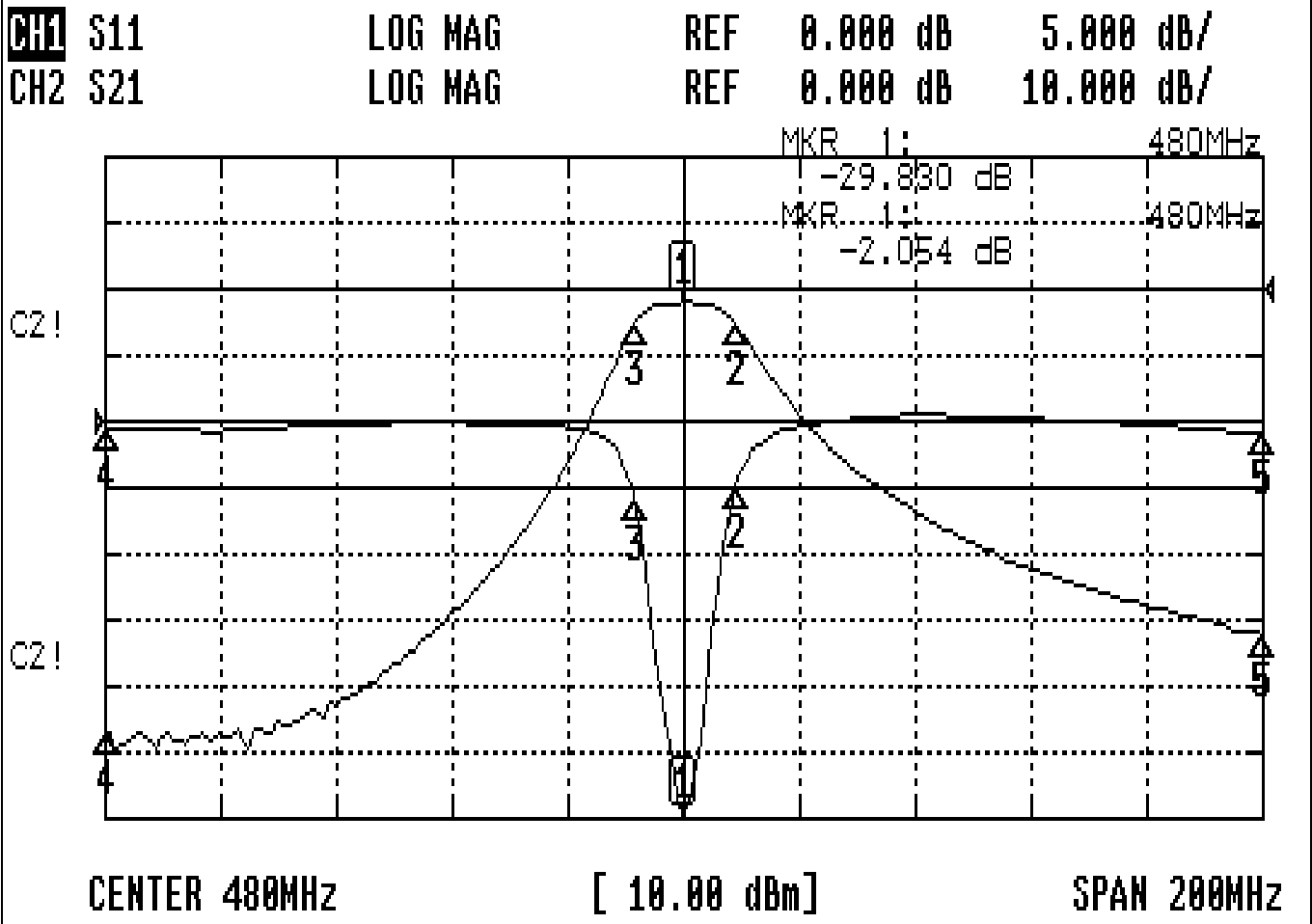
TEMWELL CORPORATION

TEMWELL

RP(P.H)

Performance-TT6753E-480M

0607073DC



CH1 MARKER LIST

1:	480.000MHz	-29.830	dB
2:	489.000MHz	-15.089	dB
3:	471.666MHz	-16.201	dB
4:	380.000MHz	-0.459	dB
5:	580.000MHz	-0.936	dB

CH2 MARKER LIST

1:	480.000MHz	-2.054	dB
2:	489.000MHz	-1.046	dB
3:	471.666MHz	-1.132	dB
4:	380.000MHz	-7.006	dB
5:	580.000MHz	-2.239	dB