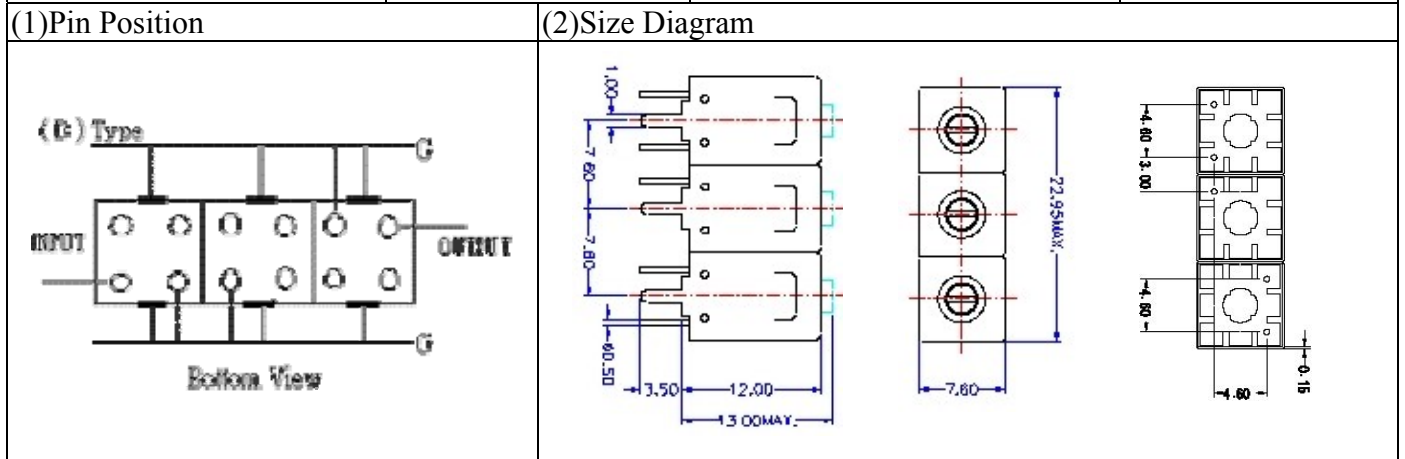


VHF UHF Helical Filter Specification Sheet

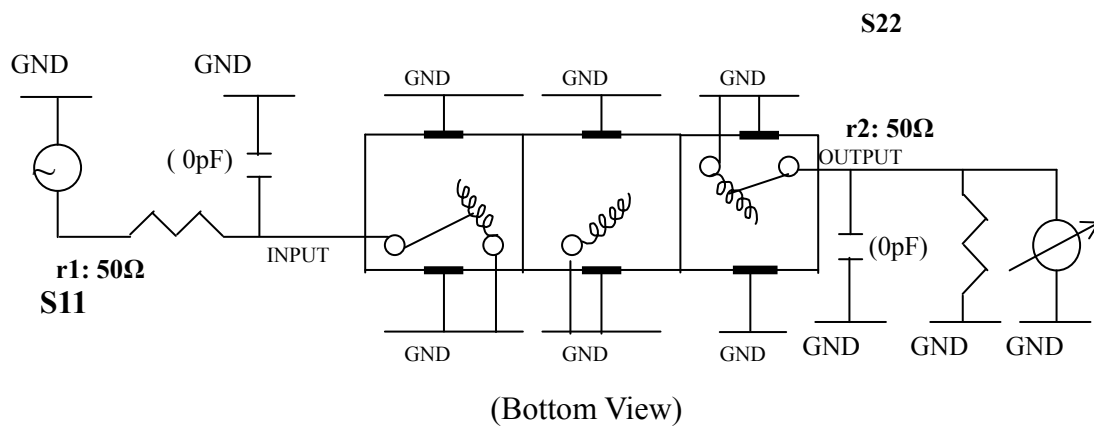
Customer Name		Temwell's Part No.	TT67553B-473M
Approval No. /dated	0712085APR	Acceptable Specify Fo Range	456~515MHz
Work Instruction No.	0712085AD	Date	Jan.23.2008



(3) Electric Charasteric

Item	Specify	Performance	
Center Freq.(Fo) +/- 0.5 %	473 MHz	473 MHz	
Tunable Range:	473±5 MHz	473±5 MHz	
Insertion Loss	Typ. 3.0 dB	2.07 dB	
-3 dB Bandwidth	Typ. 14 MHz	17.1 MHz	
Sensitivity (Attenuation)	Fo - 50 MHz	Typ. 50 dBc	54 dBc
	Fo + 50 MHz	Typ. 34 dBc	37 dBc
	Fo - ()MHz	Typ. dBc	dBc
	Fo +()MHz	Typ. dBc	dBc
Return Loss	Min. 12 dB	34.4 dB	
Ripple	< 1 dB	dB	
Impedance	In / Out : 50 Ω	In / Out : 50 Ω	
(4) Torque for Tuning Screw	> 100gf · cm		
(5) Temperature Condition:			
Operating Temperature	-0°C ~ +60°C		
Storage Temperature	-20°C ~ +70°C		
(6) Input Power	> 1Watt		

(7) Measuring Circuit: ※Easy to match Impedance S11/S22 50Ω by parallel with about(0pF) / (0pF).



Approval	Supervisor	Designer	Aperture size
C.Y.Chang	C.S.Chang	Y.H.Yeh	7H3(4*5.5)F 7H046RB4

TEMWELL CORPORATION

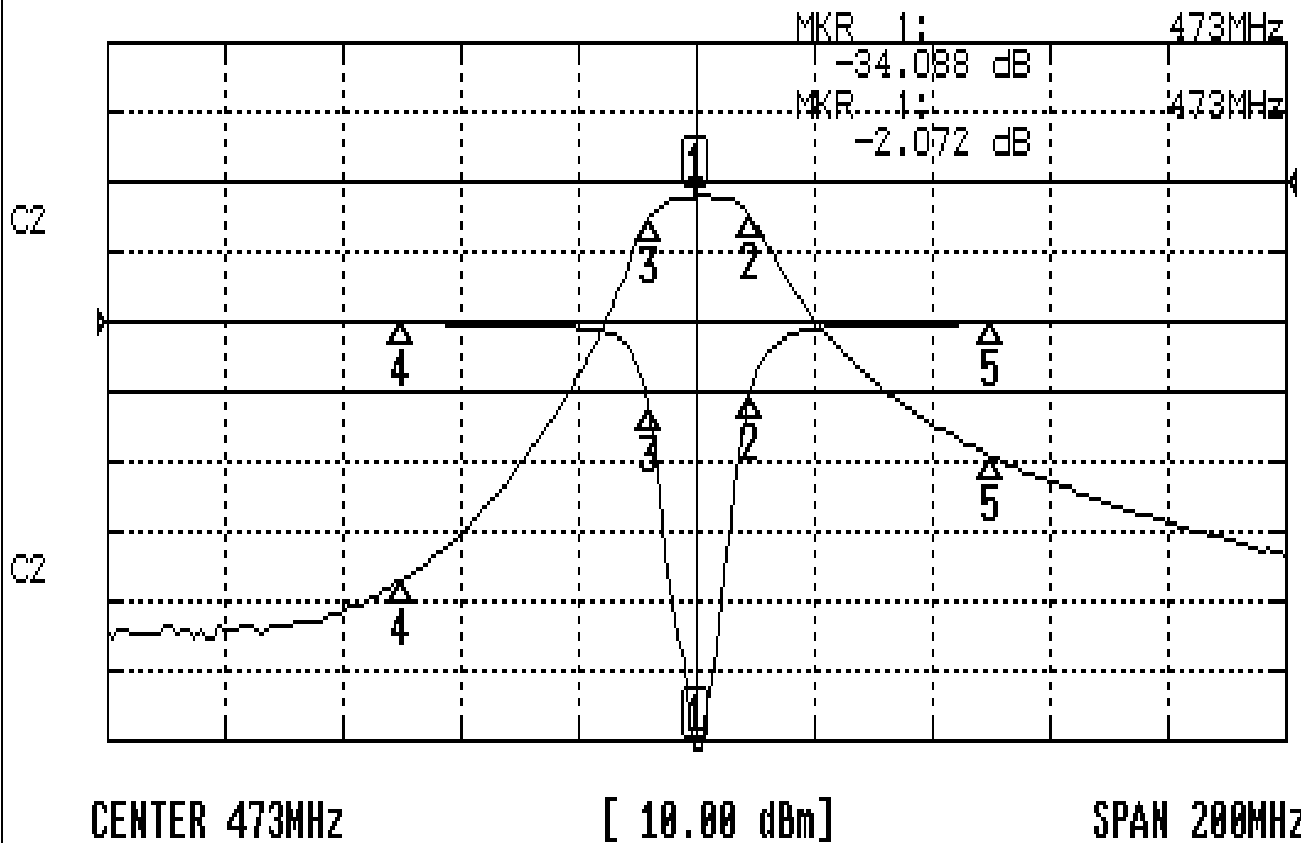
TEMWELL

Form10-7H3B Vision D RP(Y.H.Y)

Performance-TT67553B-473M

0712085AD

CH1 S11 LOG MAG REF 0.000 dB 5.000 dB/
CH2 S21 LOG MAG REF 0.000 dB 10.000 dB/



CH1 MARKER LIST

1:	473.000MHz	-34.469 dB
2:	482.400MHz	-4.933 dB
3:	465.230MHz	-6.604 dB
4:	423.000MHz	-0.137 dB
5:	523.000MHz	-0.130 dB
6:		
7:		
8:		
9:		
10:		

CH2 MARKER LIST

1:	473.000MHz	-2.072 dB
2:	482.400MHz	-5.073 dB
3:	465.230MHz	-5.082 dB
4:	423.000MHz	-57.070 dB
5:	523.000MHz	-39.151 dB
6:		
7:		
8:		
9:		
10:		