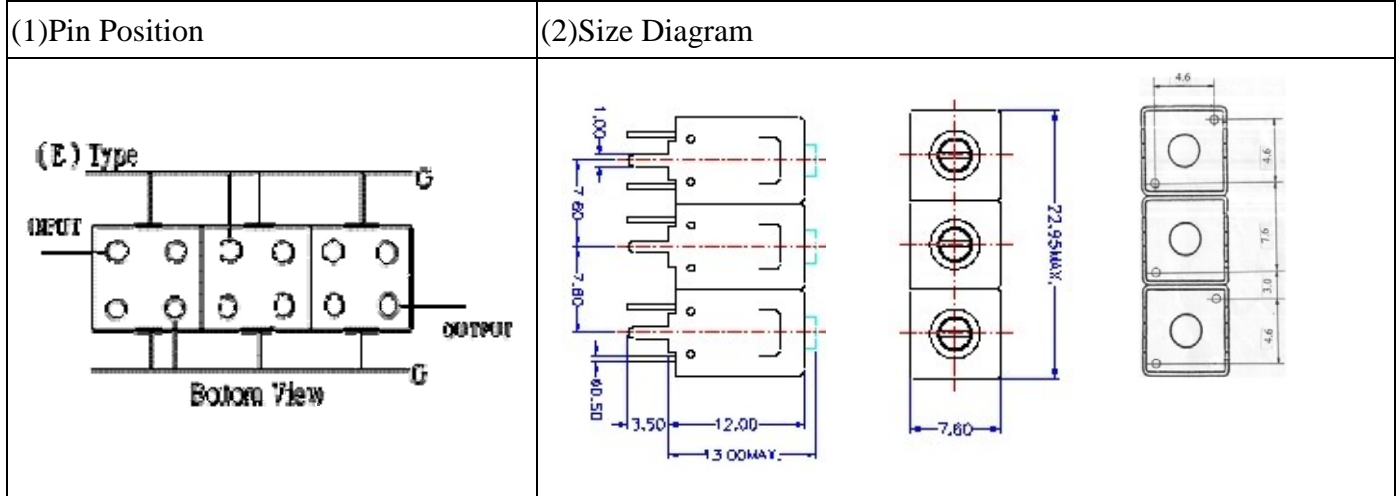


VHF UHF Helical Filter Specification Sheet

Customer Name		Temwell's Part No.	TT67552E-813.5M
Approval No. /dated	20302028DC	Acceptable Specify Fo. Range	801~830MHz
Work Instruction No.	20302028DC	Date	



(3) Electric Character

Item	Specify	Performance	
Center Freq.(Fo) +/- 0.5 %	813.5 MHz	813.5 MHz	
Tunable Range	813.5±10 MHz	813.5±10 MHz	
Insertion Loss	Typ. 3.5 dB	2.3 dB	
-1 dB Bandwidth	Typ. 12 MHz	17 MHz	
-3 dB Bandwidth	Typ. 18 MHz	23 MHz	
Sensitivity (Attenuation)	Fo -100 MHz	Typ. 48 dBc	51 dBc
	Fo +100 MHz	Typ. 58 dBc	61 dBc
	Fo - ()MHz	Typ. dBc	dBc
	Fo +()MHz	Typ. dBc	dBc
Return Loss	Min. 12 dB	21.1 dB	
Ripple	< 1 dB	dB	
Impedance	In / Out : 50 Ω	In / Out : 50 Ω	

(4) Torque for Tuning Screw > 100gf • cm

(5) Temperature Condition:

Operating Temperature	0°C ~ +60°C
Storage Temperature	-20°C ~ +70°C

(6) Input Power > 1Watt

Approval	Supervisor	Designer	Aperture size
C.Y.Chang	C.S.Chang	C.S.Chang	7H3S(4*6.5)F 7H046LB4 聚 3

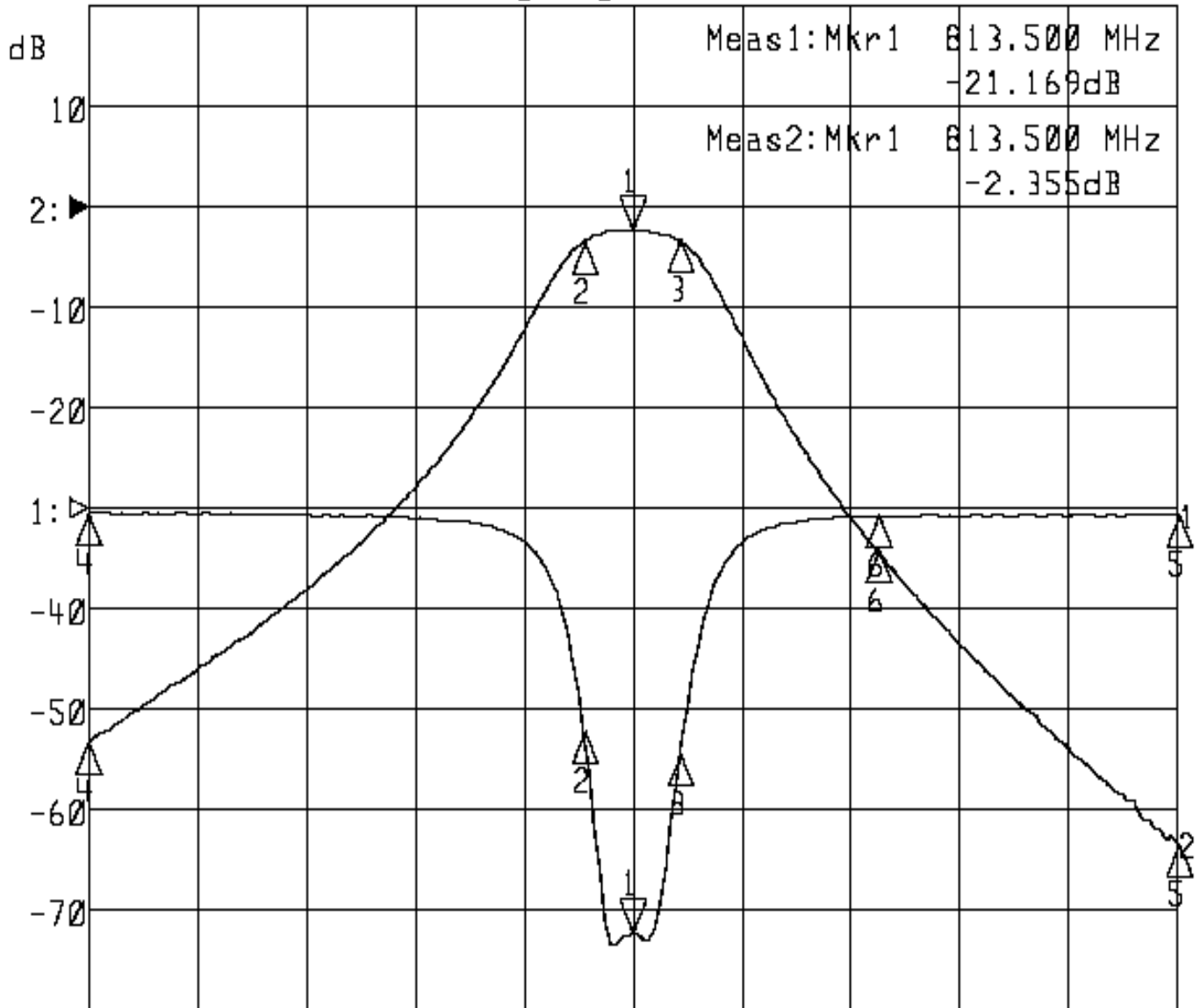
TEMWELL CORPORATION

Performance-TT67552E-813.5M

20302028DC

►1:S11 Refl Port1 Log Mag 5.0 dB/ Ref 0.00 dB C

►2:S21 Fwd Trans Log Mag 10.0 dB/ Ref 0.00 dB C



Center 813.500 MHz

Span 200.000 MHz

1: Mkr (MHz)	dB	2: Mkr (MHz)	dB
1> 813.5000	-21.169	1> 813.5000	-2.355
2: 804.5667	-11.186	2: 804.5667	-3.377
3: 822.1667	-12.221	3: 822.1667	-3.363
4: 713.5000	-0.250	4: 713.5000	-53.356
5: 913.5000	-0.323	5: 913.5000	-63.409
6: 858.5000	-0.431	6: 858.5000	-34.312