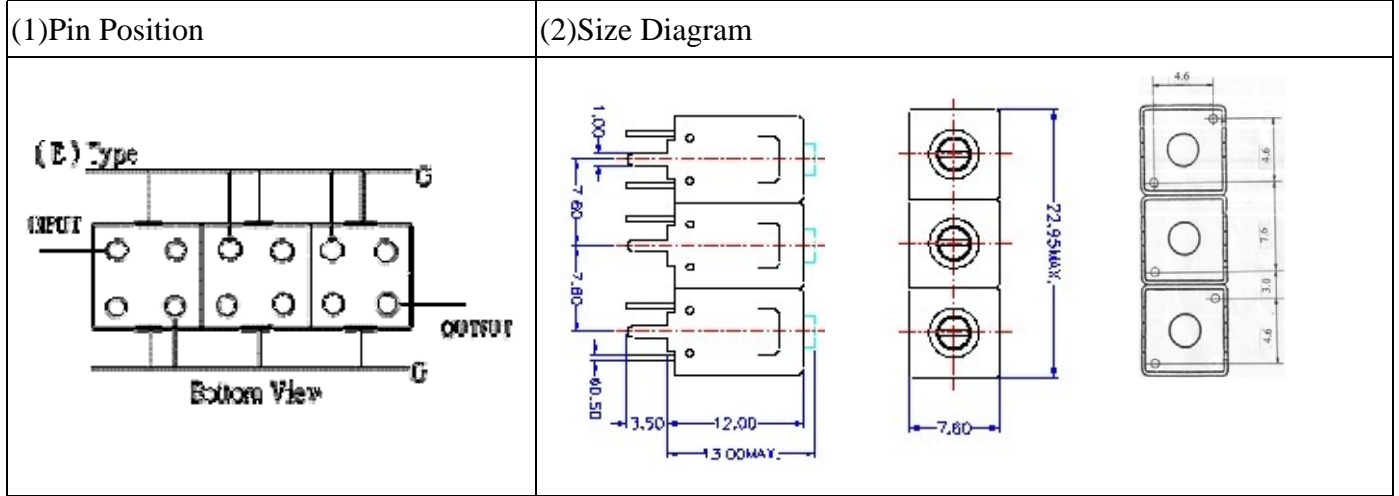


# VHF UHF Helical Filter Specification Sheet

Customer Name		Temwell's Part No.	TT67548E-895.5M
Approval No. /dated	20302004DC	Acceptable Specify Fo. Range	861~900MHz
Work Instruction No.	20302004DC	Date	



(3) Electric Character

Item	Specify	Performance	
Center Freq.(Fo ) +/- 0.5 %	895.5 MHz	895.5 MHz	
Tunable Range	895.5±5 MHz	895.5±5 MHz	
Insertion Loss	Typ. 2.5 dB	1.5 dB	
-1 dB Bandwidth	Typ. 30 MHz	39 MHz	
-3 dB Bandwidth	Typ. 40 MHz	48 MHz	
Sensitivity (Attenuation )	Fo -150 MHz	Typ. 45 dBc	47 dBc
	Fo +150 MHz	Typ. 54 dBc	56 dBc
	Fo - ( )MHz	Typ. dBc	dBc
	Fo +( )MHz	Typ. dBc	dBc
Return Loss	Min. 12 dB	18.5 dB	
Ripple	< 1 dB	dB	
Impedance	In / Out : 50 Ω	In / Out : 50 Ω	

(4) Torque for Tuning Screw > 100gf • cm

(5) Temperature Condition:

Operating Temperature	0°C ~ +60°C
Storage Temperature	-20°C ~ +70°C

(6) Input Power > 1Watt

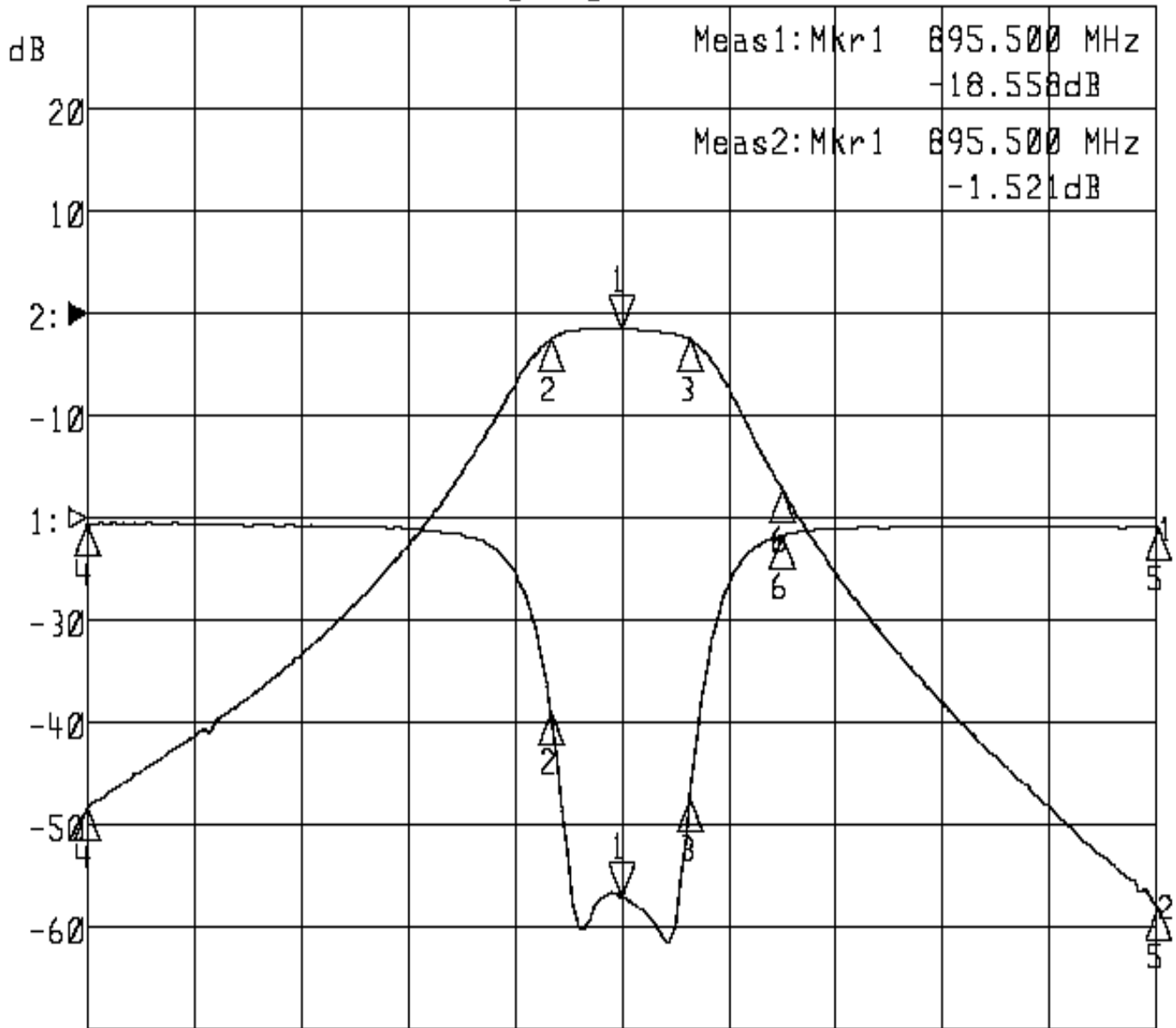
Approval	Supervisor	Designer	Aperture size
C.Y.Chang	C.S.Chang	C.S.Chang	7H3S(4*6.5)F 7H046LB5

TEMWELL CORPORATION

# Performance-TT67548E-895.5M

## 20302004DC

▶1:S11 Refl Port1 Log Mag 5.0 dB/ Ref 0.00 dB C  
 ▶2:S21 Fwd Trans Log Mag 10.0 dB/ Ref 0.00 dB C



Center 895.500 MHz

Span 300.000 MHz

1:Mkr (MHz)	dB	2:Mkr (MHz)	dB
1> 895.5000	-18.558	1> 895.5000	-1.521
2: 875.7000	-9.502	2: 875.7000	-2.504
3: 914.6000	-13.725	3: 914.6000	-2.520
4: 745.5000	-0.300	4: 745.5000	-48.333
5: 1045.5000	-0.455	5: 1045.5000	-58.008
6: 940.5000	-0.842	6: 940.5000	-17.155