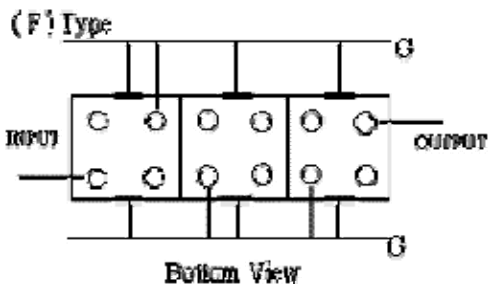
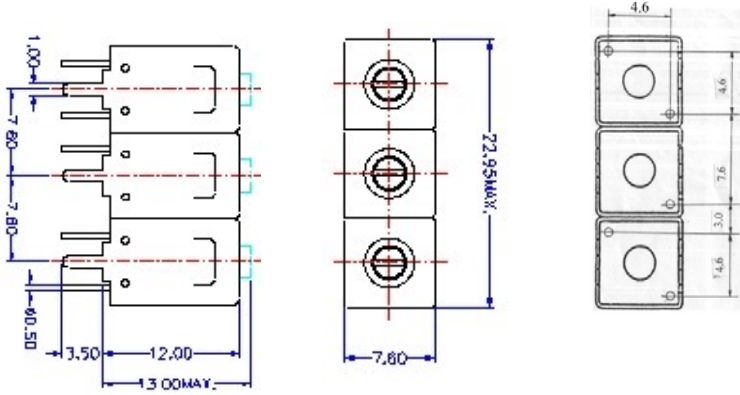


# VHF UHF Helical Filter Specification Sheet

Customer Name		Temwell's Part No.	TT67546F-738M
Approval No. /dated	20301070DC	Acceptable Specify Fo. Range	701~750MHz
Work Instruction No.	20301070DC	Date	

<p>(1) Pin Position</p>  <p style="text-align: center;">Bottom View</p>	<p>(2) Size Diagram</p> 
--	--

(3) Electric Character

Item	Specify	Performance	
Center Freq.(Fo ) +/- 0.5 %	738 MHz	738 MHz	
Tunable Range	738±5 MHz	738±5 MHz	
Insertion Loss	Typ. 4.0 dB	2.7 dB	
-1 dB Bandwidth	Typ. 7 MHz	11 MHz	
-3 dB Bandwidth	Typ. 10 MHz	15 MHz	
Sensitivity (Attenuation)	Fo -50 MHz	Typ. 45 dBc	50 dBc
	Fo +50 MHz	Typ. 35 dBc	39 dBc
	Fo - ( )MHz	Typ. dBc	dBc
	Fo +( )MHz	Typ. dBc	dBc
Return Loss	Min. 12 dB	22 dB	
Ripple	< 1 dB	dB	
Impedance	In / Out : 50 Ω	In / Out : 50 Ω	

(4) Torque for Tuning Screw > 100gf • cm

(5) Temperature Condition:

Operating Temperature	0°C ~ +60°C
Storage Temperature	-20°C ~ +70°C

(6) Input Power > 1Watt

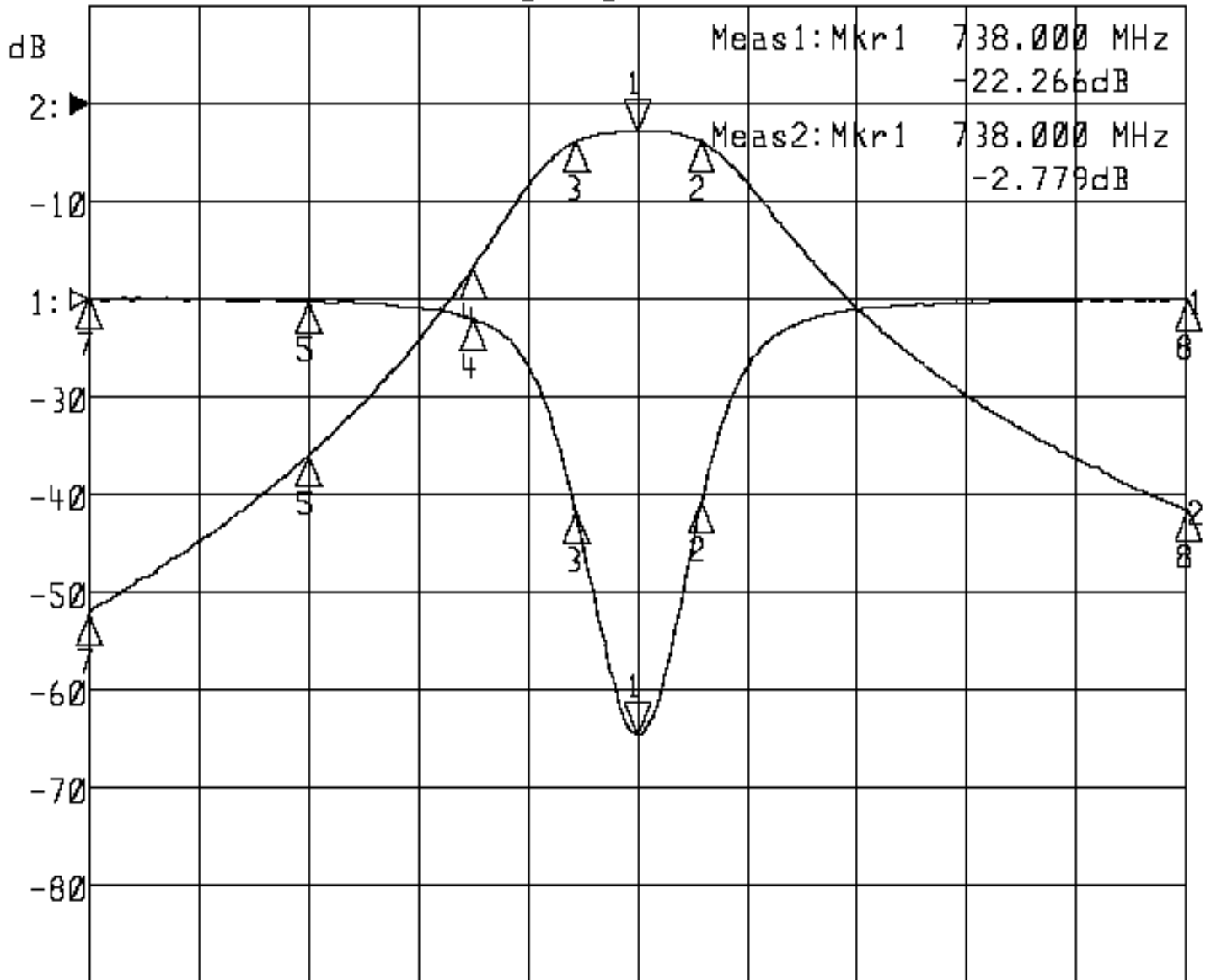
Approval	Supervisor	Designer	Aperture size
C.Y.Chang	C.S.Chang	C.S.Chang	7H3S(4*6.5)F 7H046LB4 聚 3

TEMWELL CORPORATION

# Performance-TT67546F-738M

## 20301070DC

▶1: S11 Refl Port1    Log Mag    5.0 dB/ Ref    0.00 dB    C  
 ▶2: S21 Fwd Trans    Log Mag    10.0 dB/ Ref    0.00 dB    C



Center 738.000 MHz

Span 100.000 MHz

1: Mkr (MHz)	dB	2: Mkr (MHz)	dB
1> 738.0000	-22.266	1> 738.0000	-2.779
2: 743.8667	-10.332	2: 743.8667	-3.833
3: 732.4000	-10.861	3: 732.4000	-3.833
4: 723.0000	-1.005	4: 723.0000	-16.743
5: 708.0000	-0.120	5: 708.0000	-36.017
7: 688.0000	0.081	7: 688.0000	-52.148
8: 788.0000	-0.017	8: 788.0000	-41.565