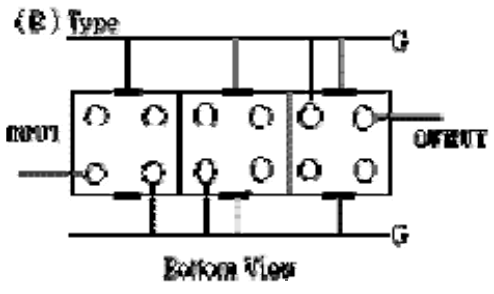
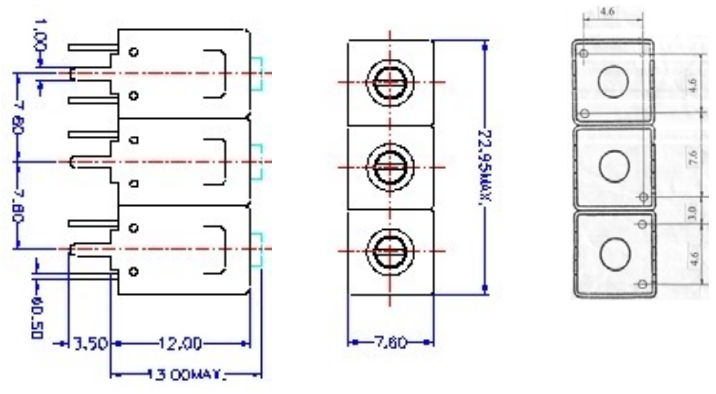


VHF UHF Helical Filter Specification Sheet

Customer Name		Temwell's Part No.	TT67544B-76.9M
Approval No. /dated	20301054DC	Acceptable Specify Fo. Range	76~85MHz
Work Instruction No.	20301054DC	Date	

<p>(1) Pin Position</p>  <p style="text-align: center;">Bottom View</p>	<p>(2) Size Diagram</p> 
--	--

(3) Electric Character

Item	Specify	Performance
Center Freq.(Fo) +/- 0.5 %	76.9 MHz	76.9 MHz
Tunable Range	76.9±2 MHz	76.9±2 MHz
Insertion Loss	Typ. 3.0 dB	1.82 dB
-3 dB Bandwidth	Typ. 12 MHz	13 MHz
Sensitivity (Attenuation)	Fo -30 MHz	Typ. 54 dBc
	Fo +30 MHz	Typ. 41 dBc
	Fo - ()MHz	Typ. dBc
	Fo +()MHz	Typ. dBc
Return Loss	Min. 12 dB	24 dB
Ripple	< 1 dB	
Impedance	In / Out : 50 Ω	In / Out : 50 Ω

(4) Torque for Tuning Screw > 100gf • cm

(5) Temperature Condition:

Operating Temperature	0°C ~ +60°C
Storage Temperature	-20°C ~ +70°C

(6) Input Power > 1Watt

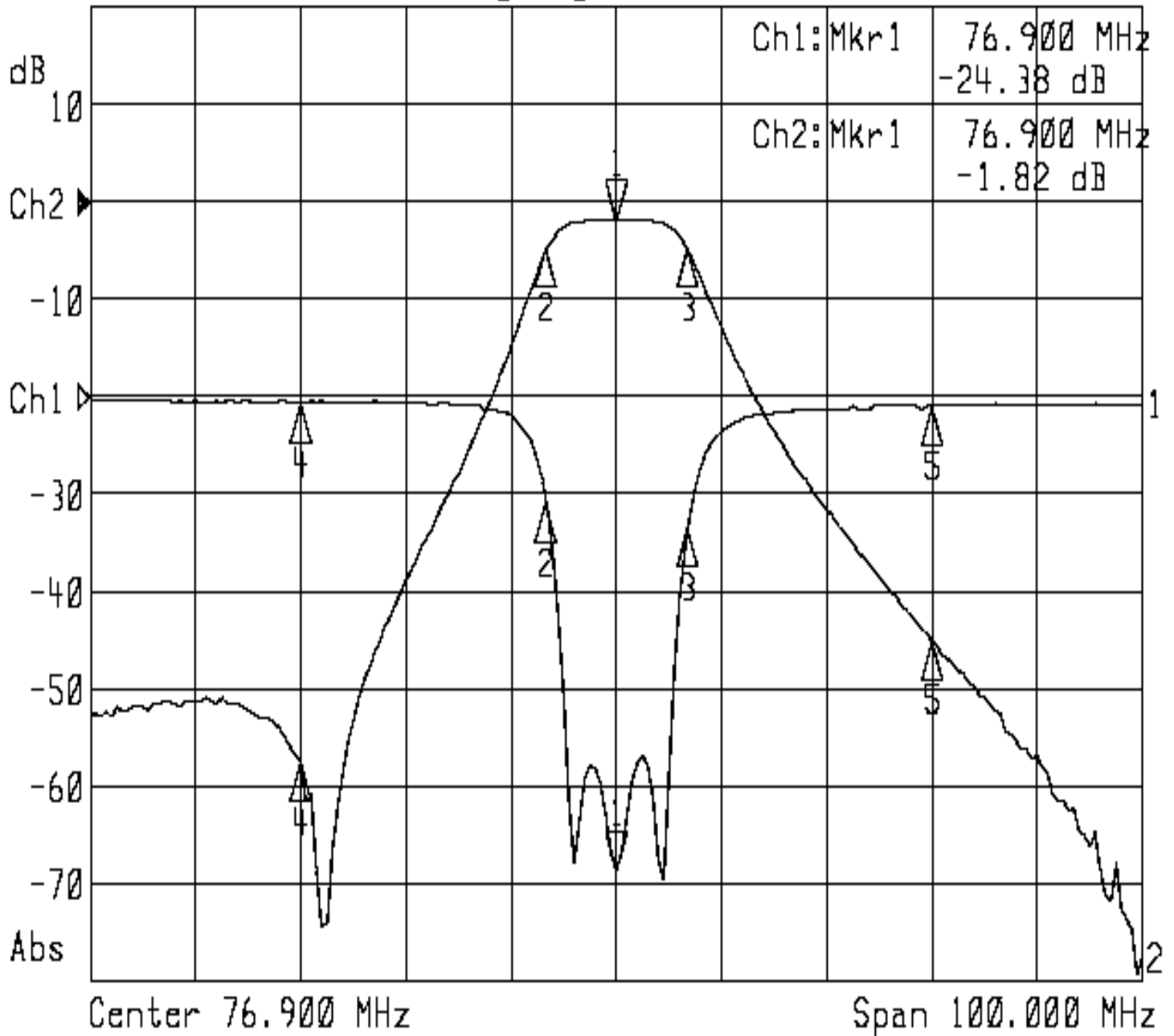
Approval	Supervisor	Designer	Aperture size
C.Y.Chang	C.S.Chang	C.S.Chang	7H3S(4*5.5)F 7H00LB6

TEMWELL CORPORATION

Performance-TT67544B-76.9M

20301054DC

▶1: Reflection /M Log Mag 5.0 dB/ Ref 0.00 dB C
▶2: Transmission Log Mag 10.0 dB/ Ref 0.00 dB C



1: Mkr (MHz)	dB	2: Mkr (MHz)	dB
1> 76.90	-24.38	1> 76.90	-1.82
2: 70.26	-5.47	2: 70.26	-4.84
3: 83.69	-6.67	3: 83.69	-4.83
4: 46.90	-0.29	4: 46.90	-57.61
5: 106.90	-0.46	5: 106.90	-44.85