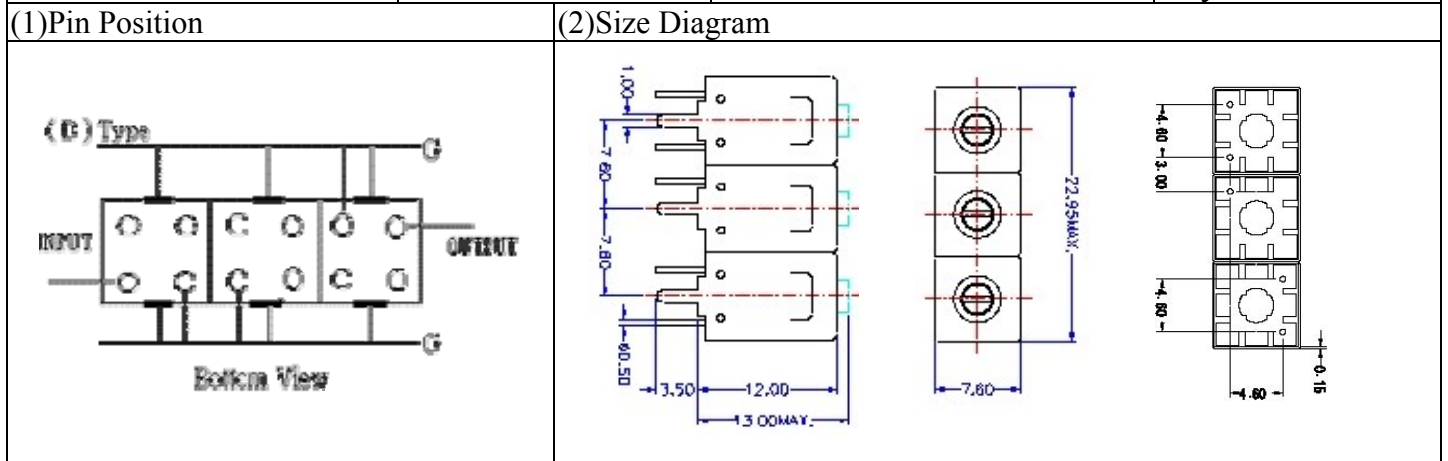


VHF UHF Helical Filter Specification Sheet

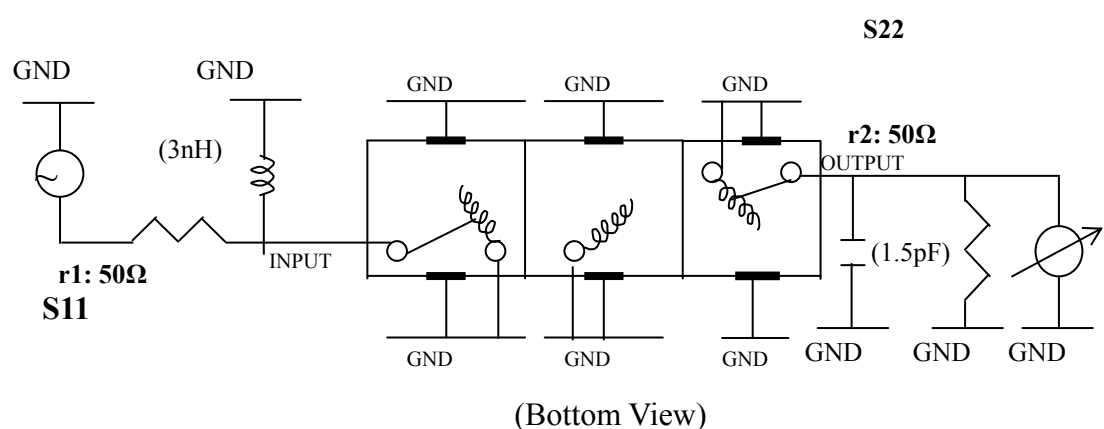
Customer Name		Temwell's Part No.	TT67528B-436M
Approval No. /dated	20307030DC	Acceptable Specify Fo Range	401~455MHz
Work Instruction No.	20307030DC	Date	July.17.2003



(3) Electric Characteristic			
Item	Specify	Performance	
Center Freq.(Fo) +/- 0.5 %	436 MHz	436	MHz
Tunable Range:	436±5 MHz	436±5	MHz
Insertion Loss	Typ. 1.5 dB	0.6	dB
-3 dB Bandwidth	Typ. 65 MHz	70	MHz
Sensitivity (Attenuation)	Fo - 100 MHz	Typ. 36	dBc
	Fo + 100 MHz	Typ. 25	dBc
	Fo - ()MHz	Typ.	dBc
	Fo +()MHz	Typ.	dBc
Return Loss	Min. 12 dB	26.6	dB
Ripple	< 1 dB		dB
Impedance	In / Out : 50 Ω	In / Out : 50 Ω	
(4) Torque for Tuning Screw			
		> 100gf · cm	

(5) Temperature Condition:	
Operating Temperature	0°C ~ +60°C
Storage Temperature	-20°C ~ +70°C
(6) Input Power	
> 1 Watt	

(7) Measuring Circuit: ※Easy to match Impedance S11/S22 50Ωby parallel with about(3nH) / (1.5pF).



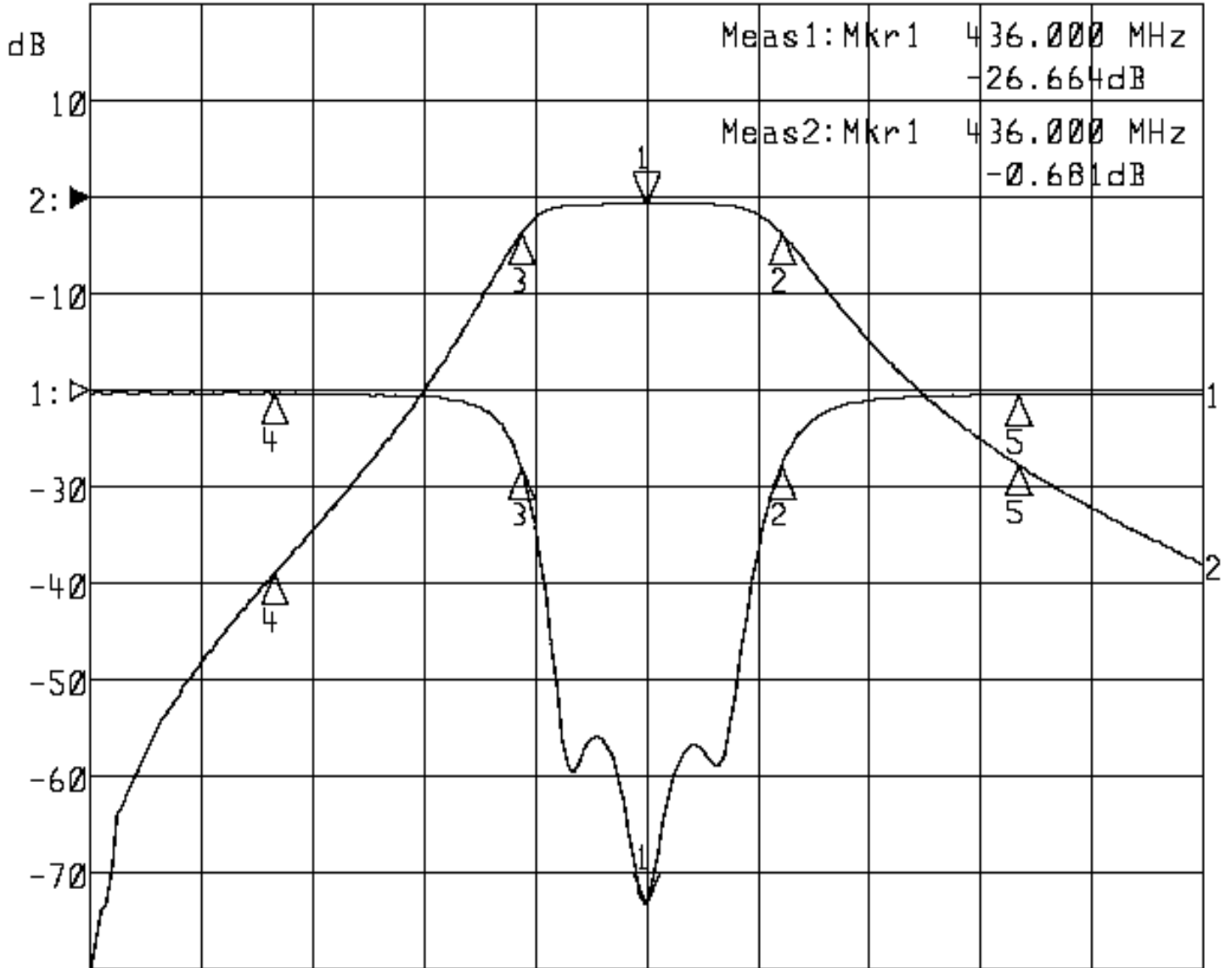
Approval	Supervisor	Designer	Aperture size
C.Y.Chang	C.S.Chang	C.S.Chang	7H3S(4*8.0) 7H046LB6

TEMWELL CORPORATION

Performance-TT67528B-436M

20307030DC

▶1:S11 Refl Port1 Log Mag 5.0 dB/ Ref 0.00 dB C
 ▶2:S21 Fwd Trans Log Mag 10.0 dB/ Ref 0.00 dB C



Center 436.000 MHz

Span 300.000 MHz

1: Mkr (MHz) dB			2: Mkr (MHz) dB		
1>	436.0000	-26.664	1>	436.0000	-0.681
2:	472.3000	-3.941	2:	472.3000	-3.658
3:	402.4000	-4.002	3:	402.4000	-3.692
4:	336.0000	-0.167	4:	336.0000	-38.926
5:	536.0000	-0.235	5:	536.0000	-27.642