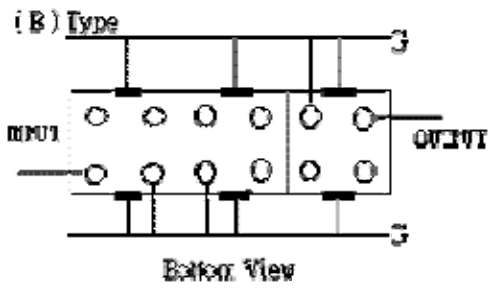
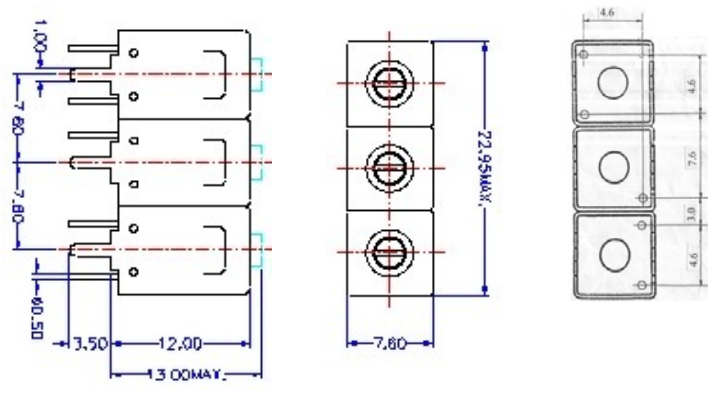


VHF UHF Helical Filter Specification Sheet

Customer Name		Temwell's Part No.	TT67525B-50M
Approval No. /dated	20204065B	Acceptable Specify Fo. Range	46~55MHz
Work Instruction No.	20204065B	Date	Apr.26.2002

(1)Pin Position	(2)Size Diagram
 <p>(i B) Type Bottom View</p>	

(3)Electric Character			
Item	Specify	Performance	
Center Freq.(Fo) +/- 0.5 %	50 MHz	50 MHz	
Tunable Range	50±2 MHz	50±2 MHz	
Insertion Loss	Typ. 3.5 dB	2.09 dB	
-3 dB Bandwidth	Typ. 9 MHz	10 MHz	
Sensitivity (Attenuation)	Fo - 10 MHz	Typ. 21 dBc	24 dBc
	Fo + 10 MHz	Typ. 21 dBc	24 dBc
	Fo - ()MHz	Typ. dBc	dBc
	Fo +()MHz	Typ. dBc	dBc
Return Loss	Min. 12 dB	26 dB	
Ripple	< 1 dB	dB	
Impedance	In / Out : 50 Ω	In / Out : 50 Ω	

(4)Torque for Tuning Screw	> 100gf • cm
----------------------------	--------------

(5)Temperature Condition:	
Operating Temperature	0°C ~ +60°C
Storage Temperature	-20°C ~+70°C

(6)Input Power	> 1Watt
----------------	---------

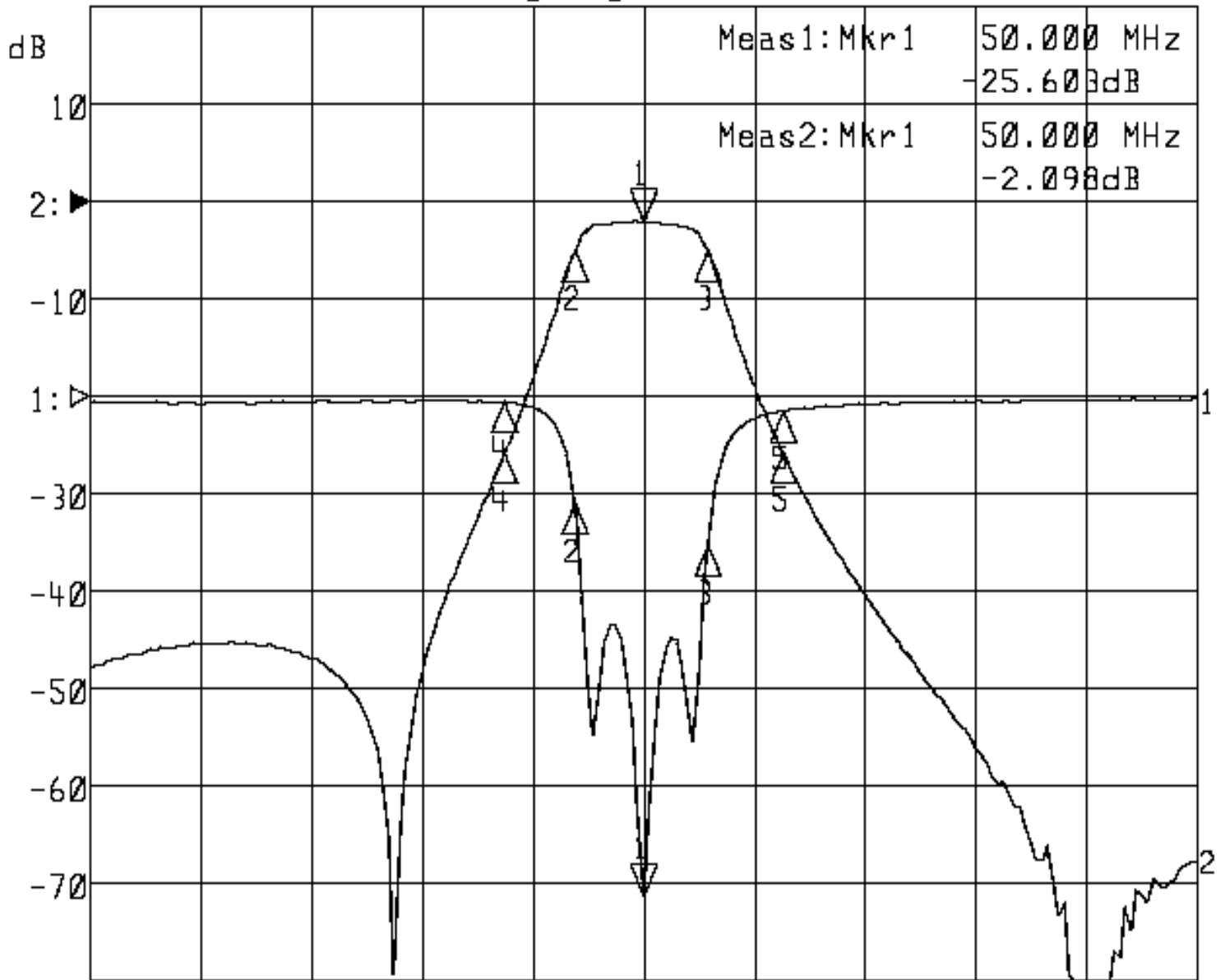
Approval	Supervisor	Designer	Aperture size
C.Y.Chang	C.S.Chang	C.S.Chang	7H3S(4*8.0) 7H00LB6

TEMWELL CORPORATION

Performance-TT67525B-50M

20204065B

▶1:S11 Refl Port1 Log Mag 5.0 dB/ Ref 0.00 dB C
▶2:S21 Fwd Trans Log Mag 10.0 dB/ Ref 0.00 dB C



Center 50.000 MHz

Span 80.000 MHz

1:Mkr (MHz)	dB	2:Mkr (MHz)	dB
1> 50.0000	-25.603	1> 50.0000	-2.098
2: 45.0133	-5.442	2: 45.0133	-5.124
3: 54.6400	-7.603	3: 54.6400	-5.057
4: 40.0000	-0.312	4: 40.0000	-25.733
5: 60.0000	-0.801	5: 60.0000	-25.662