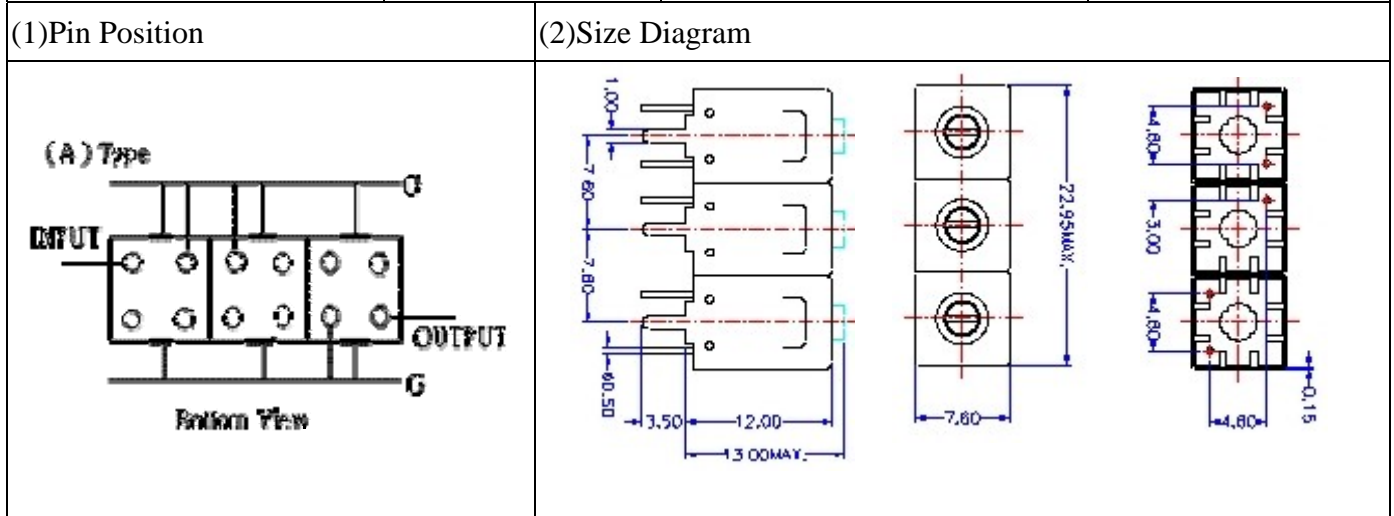


VHF UHF Helical Filter Specification Sheet

Customer Name		Temwell's Part No.	TT67522A-1000M
Approval No. /dated	20201027DC	Acceptable Specify Fo. Range	1001~1100MHz
Work Instruction No.	20201027DC	Date	Jan.17.2002



(3) Electric Character			
Item	Specify	Performance	
Center Freq.(Fo) +/- 0.5 %	1000 MHz	1000 MHz	
Tunable Range	1000±5 MHz	1000±5 MHz	
Insertion Loss	Typ. 4.0 dB	2.9 dB	
-3 dB Bandwidth	Typ. 75 MHz	84 MHz	
Sensitivity (Attenuation)	Fo - 100 MHz	Typ. 27 dBc	30 dBc
	Fo + 100 MHz	Typ. 15 dBc	18 dBc
	Fo - ()MHz	Typ. dBc	dBc
	Fo +()MHz	Typ. dBc	dBc
Return Loss	Min. 12 dB	20.9 dB	
Ripple	< 1 dB	dB	
Impedance	In / Out : 50 Ω	In / Out : 50 Ω	
(4) Torque for Tuning Screw		> 100gf • cm	
(5) Temperature Condition:			
Operating Temperature		0°C ~ +60°C	
Storage Temperature		-20°C ~ +70°C	
(6) Input Power		> 1Watt	
Approval	Supervisor	Designer	Aperture size
C.Y.Chang	C.S.Chang	C.S.Chang	7H3S(4*7.5) 7H046LB6

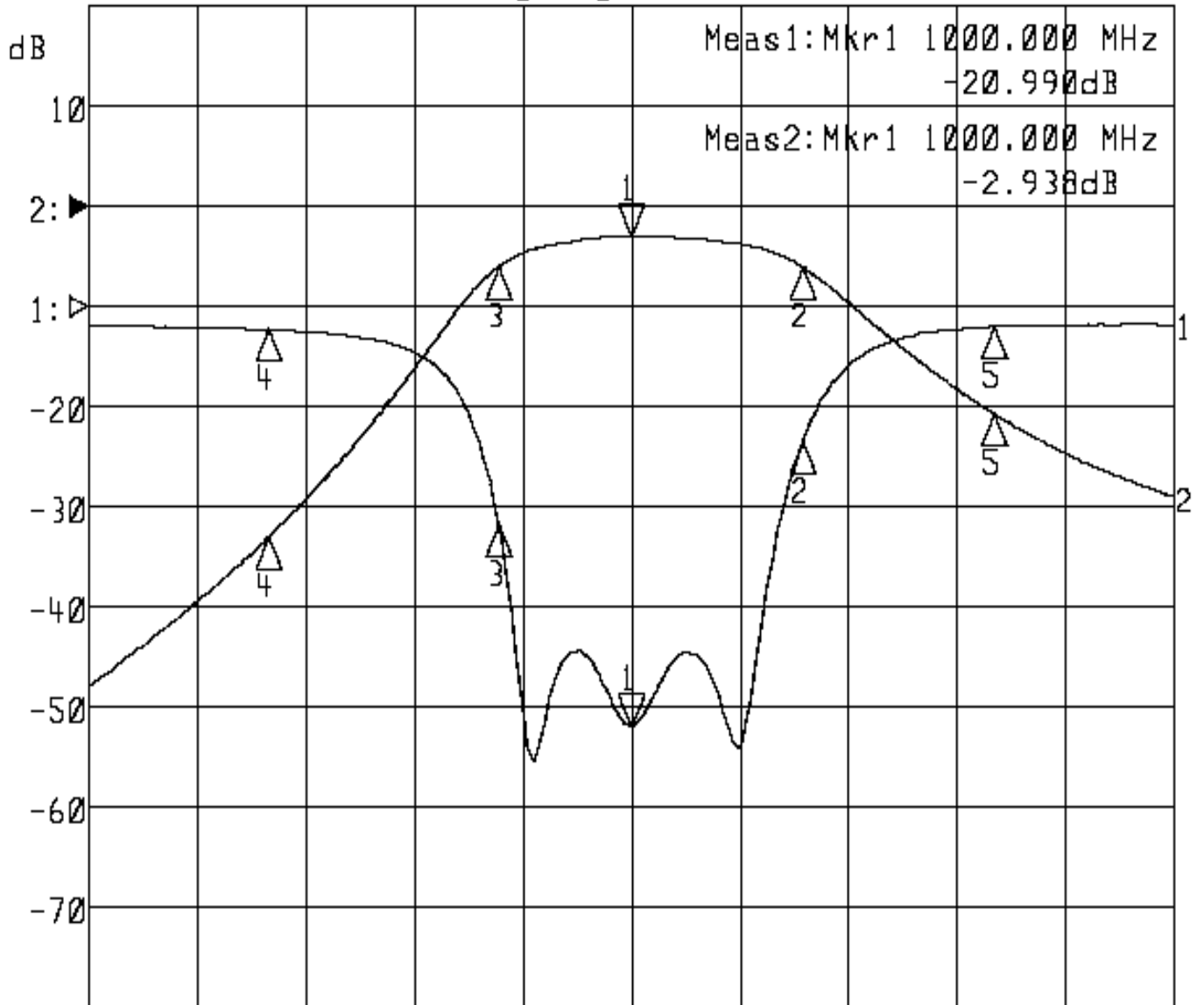
TEMWELL CORPORATION

Performance-TT67522A-1000M

20201027DC

▶1: S11 Refl Port1 Log Mag 5.0 dB/ Ref 0.00 dB C

▶2: S21 Fwd Trans Log Mag 10.0 dB/ Ref 0.00 dB C



Meas1: Mkr1 1000.000 MHz
-20.990 dB

Meas2: Mkr1 1000.000 MHz
-2.938 dB

Center 1 000.000 MHz

Span 300.000 MHz

1: Mkr (MHz)	dB	2: Mkr (MHz)	dB
1> 1000.0000	-20.990	1> 1000.0000	-2.938
2: 1047.2000	-6.803	2: 1047.2000	-5.994
3: 963.4000	-10.889	3: 963.4000	-5.974
4: 900.0000	-1.185	4: 900.0000	-32.967
5: 1100.0000	-1.032	5: 1100.0000	-20.648