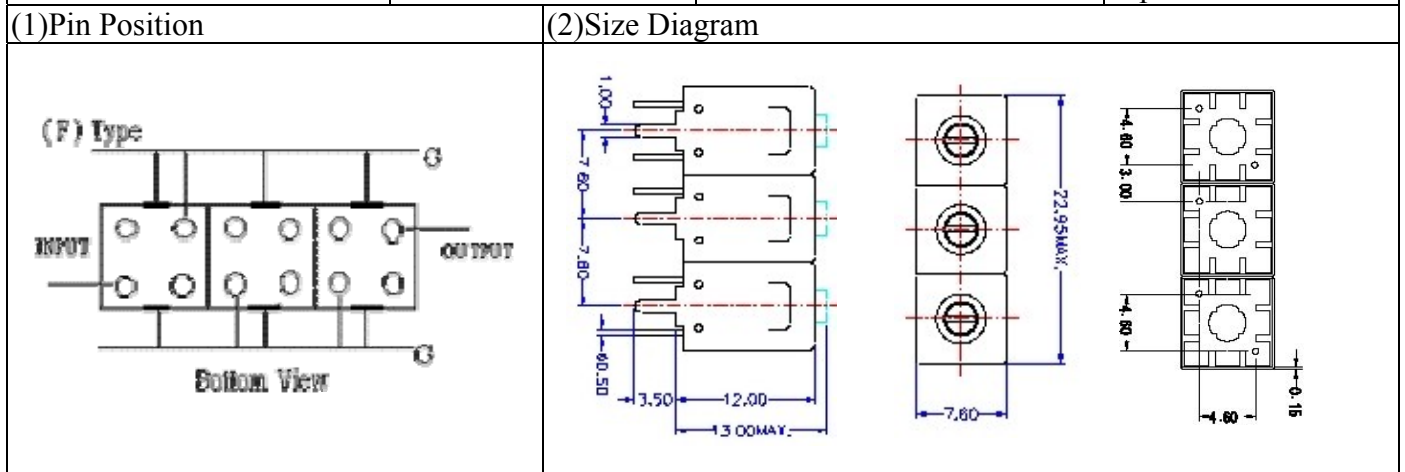


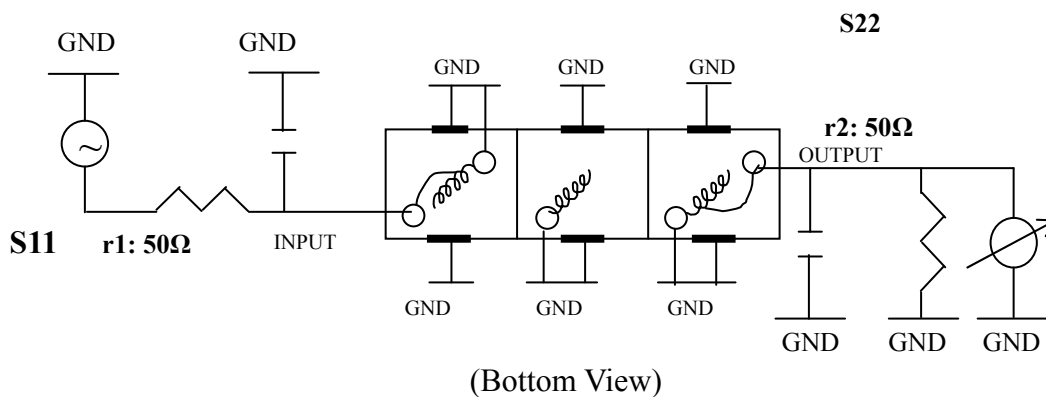
VHF UHF Helical Filter Specification Sheet

Customer Name		Temwell's Part No.	TT67516F-850M
Approval No. /dated	201007090CD	Temwell's print name	67516F 850M
Work Instruction No.	201007090CD	Date	Sep.15.2010



(3) Electric Characteristic					
Item		Specify		Performance	
Center Freq.(Fo) +/- 0.5 %		850 MHz		850 MHz	
Insertion Loss		Typ. 2.0 dB		1.15 dB	
-3 dB Bandwidth		Typ. 70 MHz		79.9 MHz	
Sensitivity (Attenuation)	Fo - 150 MHz	Typ. 37 dBc		40 dBc	
	Fo + 150 MHz	Typ. 34 dBc		37 dBc	
	Fo - ()MHz	Typ. dBc		dBc	
	Fo + ()MHz	Typ. dBc		dBc	
Return Loss		Min. 12 dB		22.8 dB	
Ripple		< 1 dB		dB	
Impedance		In / Out : 50 Ω		In / Out : 50 Ω	
(4) Torque for Tuning Screw		> 60gf · cm			
(5) Temperature Condition:					
Operating Temperature		0°C ~ +60°C			
Storage Temperature		-20°C ~ +70°C			
(6) Input Power		> 1Watt			

(7) Measuring Circuit: ※ Easy to match Impedance S11/S22 50Ω by parallel with about(--) / (--).



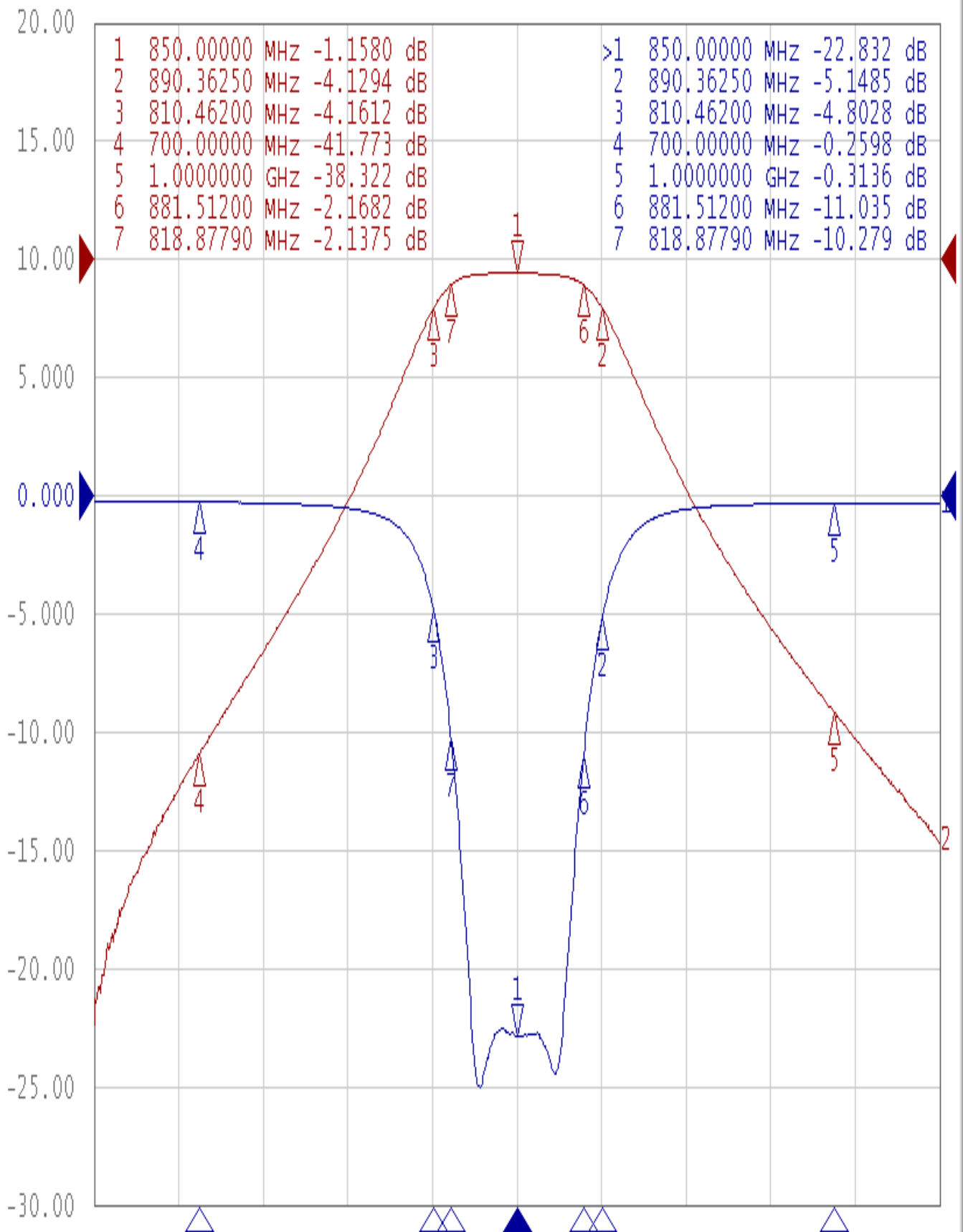
Approval	Supervisor	Designer	Aperture size
C.Y.Chang	C.K.Chang	C.S..Chang	7H3S(4*7.5)(7.62) 7H046RB5.5

TEMWELL CORPORATION

Performance-TT67516F-850M

201007090CD

Tr1 S11 Log Mag 5.000dB/ Ref 0.000dB [F2]
Tr2 S21 Log Mag 10.00dB/ Ref 0.000dB [F2]



1 Center 850 MHz

IFBW 10 kHz

Span 400 MHz Cor !