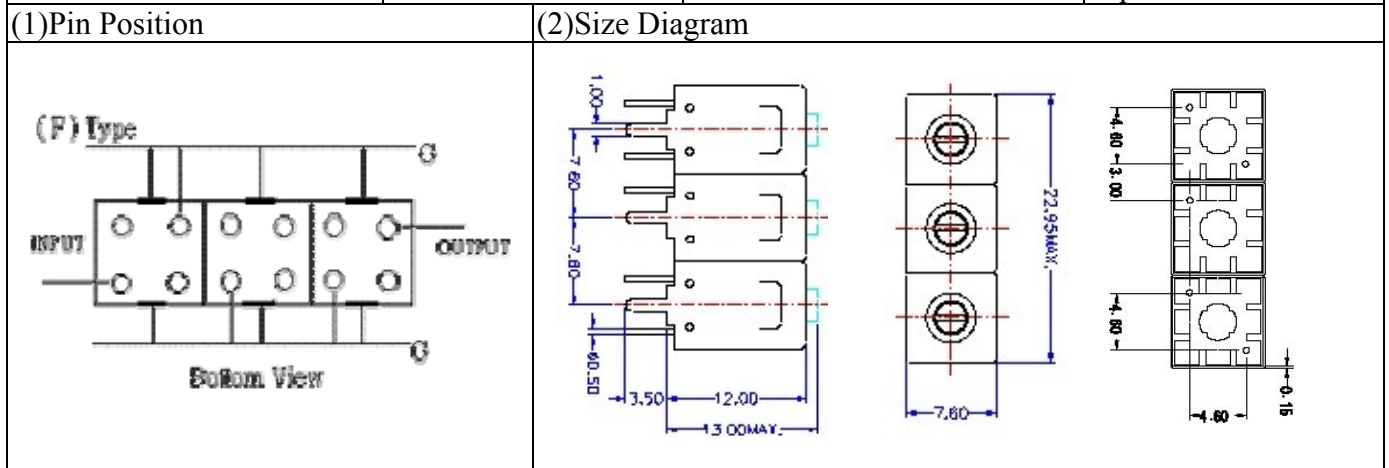


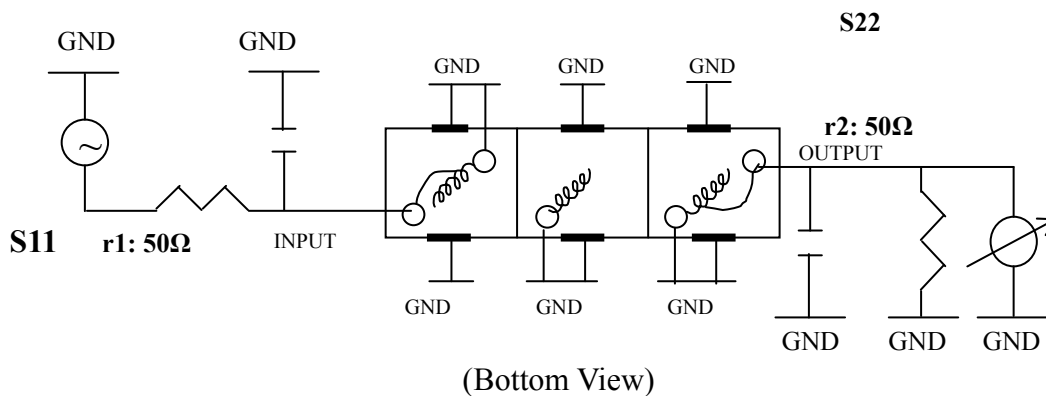
# VHF UHF Helical Filter Specification Sheet

|                      |             |                      |                |
|----------------------|-------------|----------------------|----------------|
| Customer Name        |             | Temwell's Part No.   | TT67514F-800M  |
| Approval No. /dated  | 201007088CD | Temwell's print name | 67514F<br>800M |
| Work Instruction No. | 201007088CD | Date                 | Sep.17.2010    |



| (3) Electric Characteristic  |              | Item | Specify         | Performance     |
|------------------------------|--------------|------|-----------------|-----------------|
| Center Freq.(Fo) +/- 0.5 %   |              |      | 800 MHz         | 800 MHz         |
| Insertion Loss               |              | Typ. | 2.0 dB          | 0.89 dB         |
| -3 dB Bandwidth              |              | Typ. | 70 MHz          | 78.9 MHz        |
| Sensitivity<br>(Attenuation) | Fo - 100 MHz | Typ. | 25 dBc          | 28 dBc          |
|                              | Fo + 100 MHz | Typ. | 24 dBc          | 27 dBc          |
|                              | Fo - ( )MHz  | Typ. | dBc             | dBc             |
|                              | Fo + ( )MHz  | Typ. | dBc             | dBc             |
| Return Loss                  |              | Min. | 12 dB           | 26.1 dB         |
| Ripple                       |              |      | < 1 dB          | dB              |
| Impedance                    |              |      | In / Out : 50 Ω | In / Out : 50 Ω |
| (4) Torque for Tuning Screw  |              |      | > 60gf · cm     |                 |
| (5) Temperature Condition:   |              |      |                 |                 |
| Operating Temperature        |              |      | 0°C ~ +60°C     |                 |
| Storage Temperature          |              |      | -20°C ~ +70°C   |                 |
| (6) Input Power              |              |      | > 1Watt         |                 |

(7) Measuring Circuit: ※Easy to match Impedance S11/S22 50Ω by parallel with about( -- ) / ( -- ).



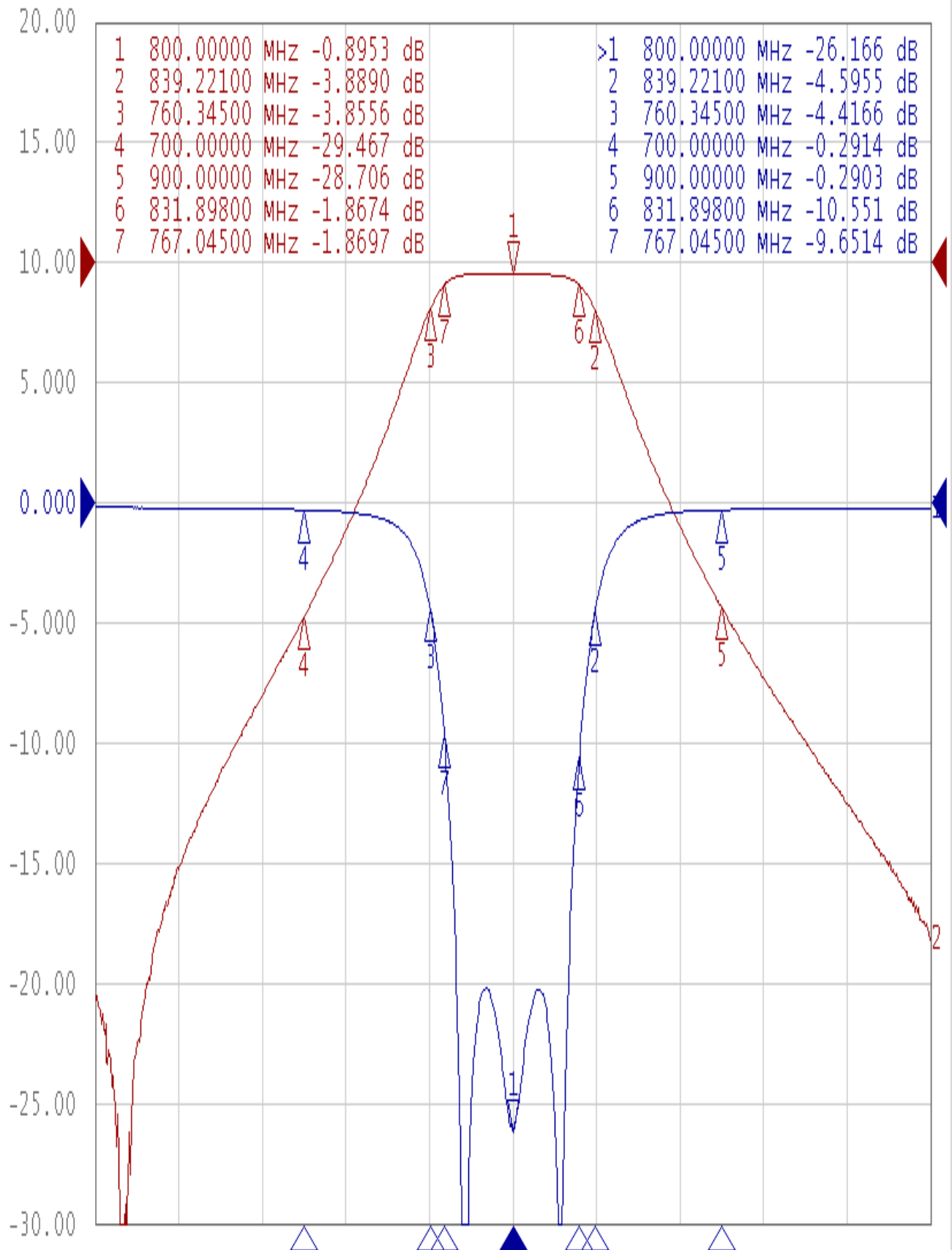
|                       |                         |                        |  |
|-----------------------|-------------------------|------------------------|--|
| Approval<br>C.Y.Chang | Supervisor<br>C.K.Chang | Designer<br>C.S..Chang | Aperture size<br>7H3S(4*8.0)(8.04)<br>7H046RB5.5 |
|-----------------------|-------------------------|------------------------|--|

TEMWELL CORPORATION

# Performance-TT67514F-800M

## 201007088CD

▶ Tr1 S11 Log Mag 5.000dB/ Ref 0.000dB [F2]  
Tr2 S21 Log Mag 10.00dB/ Ref 0.000dB [F2]



1 Center 800 MHz

IFBW 10 kHz

Span 400 MHz Cor !