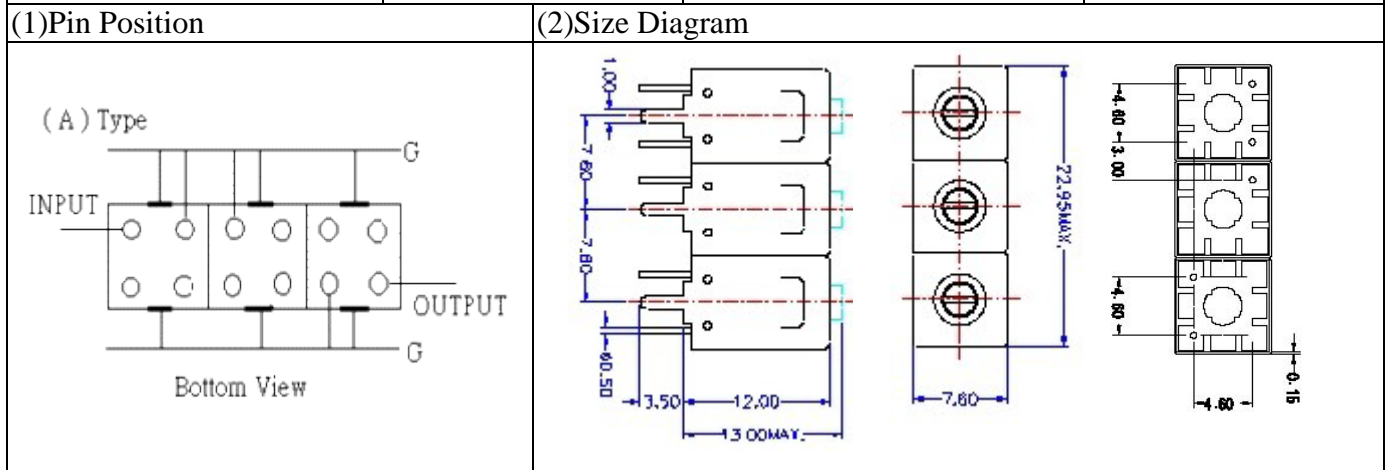


VHF UHF Helical Filter Specification Sheet

Customer Name		Temwell's Part No.	TT67514A-800M
Approval No. /dated	20201015DC	Acceptable specify Fo Range	751~800MHz
Work Instruction No.	20201015DC	Date	Jan. 09. 2002.



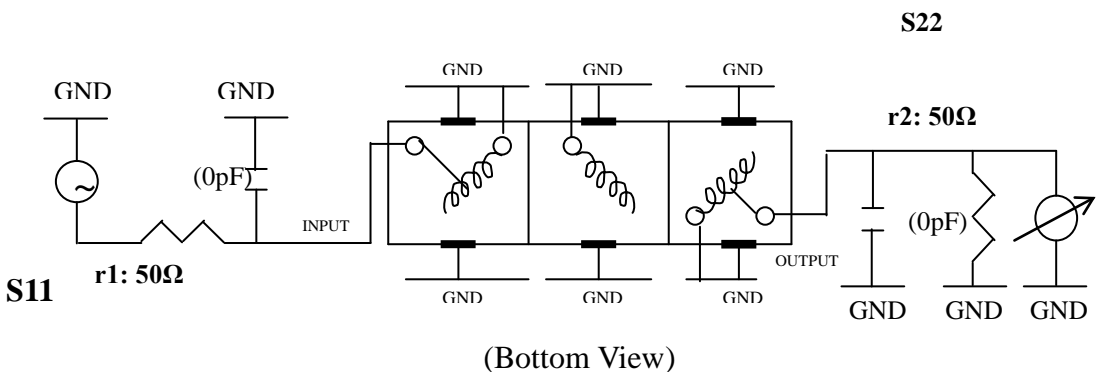
(3) Electric Characteristic		Item	Specify	Performance
		Center Freq.(Fo) +/- 0.5 %	800 MHz	800 MHz
		Insertion Loss	Typ. 3.5 dB	2.4 dB
		-3 dB Bandwidth	Typ. 68 MHz	75 MHz
Sensitivity (Attenuation)	Fo - 100 MHz	Typ. 27 dBc		30 dBc
	Fo + 100 MHz	Typ. 16 dBc		18 dBc
	Fo - ()MHz	Typ. dBc		dBc
	Fo + ()MHz	Typ. dBc		dBc
		Return Loss	Min. 12 dB	16 dB
		Ripple	< 1 dB	dB
		Impedance	In / Out : 50 Ω	In / Out : 50 Ω

(4) Torque for Tuning Screw > 100gf · cm

(5) Temperature Condition:	
Operating Temperature	0°C ~ +60°C
Storage Temperature	-20°C ~ +70°C

(6) Input Power > 1Watt

(7) Measuring Circuit: ※Easy to match Impedance S11/S22 50Ω by parallel with about(0pF) / (0pF).

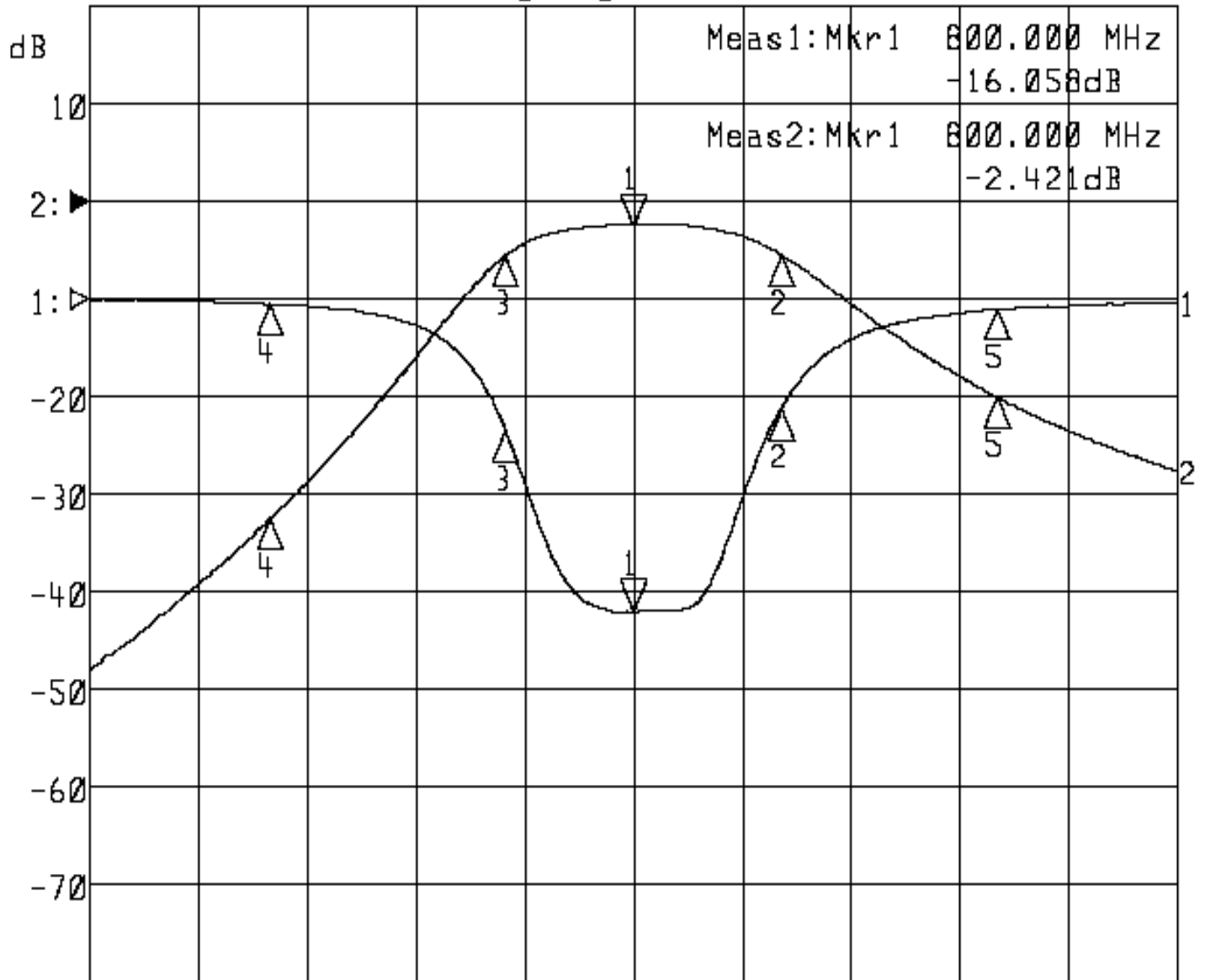


Approval C.Y.Chang	Supervisor C.K.Chang	Designer Y.H.Yeh	Aperture size 7H3S-(4*7.5) 7H046LB6.0
-----------------------	-------------------------	---------------------	---

Performance-TT67514A-800M

20201015DC

▷1:S11 Refl Port1 Log Mag 5.0 dB/ Ref 0.00 dB C
▶2:S21 Fwd Trans Log Mag 10.0 dB/ Ref 0.00 dB C



Center 800.000 MHz

Span 300.000 MHz

1:Mkr (MHz)	dB	2:Mkr (MHz)	dB
1> 800.0000	-16.058	1> 800.0000	-2.421
2: 840.8000	-5.586	2: 840.8000	-5.464
3: 764.9000	-6.741	3: 764.9000	-5.475
4: 700.0000	-0.290	4: 700.0000	-32.537
5: 900.0000	-0.556	5: 900.0000	-19.981