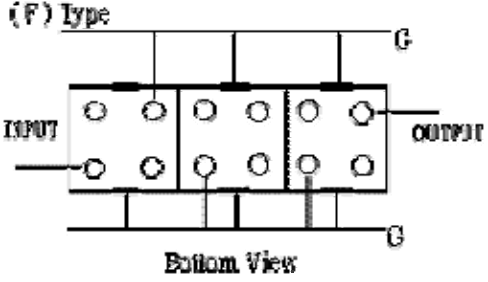
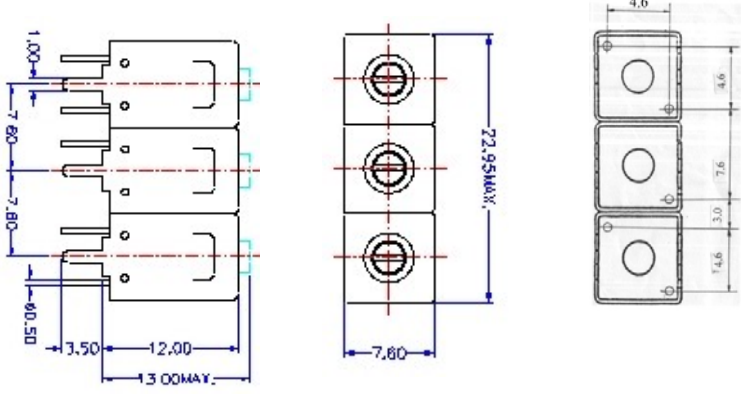


VHF UHF Helical Filter Specification Sheet

Customer Name		Temwell's Part No.	TT67499F-600M
Approval No. /dated	20112104DC	Acceptable Specify Fo. Range	596~640MHz
Work Instruction No.	20112104DC	Date	Jan.07.2002

<p>(1) Pin Position</p>  <p style="text-align: center;">Bottom View</p>	<p>(2) Size Diagram</p> 
--	--

(3) Electric Character

Item	Specify	Performance
Center Freq.(Fo) +/- 0.5 %	600 MHz	600 MHz
Tunable Range	600±3 MHz	600±3 MHz
Insertion Loss	Typ. 2.5 dB	1.1 dB
-3 dB Bandwidth	Typ. 70 MHz	77 MHz
Sensitivity (Attenuation)	Fo - 100 MHz	Typ. 37 dBc
	Fo + 100 MHz	Typ. 18 dBc
	Fo - ()MHz	Typ. dBc
	Fo +()MHz	Typ. dBc
Return Loss	Min. 12 dB	16.9 dB
Ripple	< 1 dB	dB
Impedance	In / Out : 50 Ω	In / Out : 50 Ω
(4) Torque for Tuning Screw	> 100gf • cm	

(5) Temperature Condition:

Operating Temperature	0°C ~ +60°C
Storage Temperature	-20°C ~ +70°C
(6) Input Power	> 1Watt

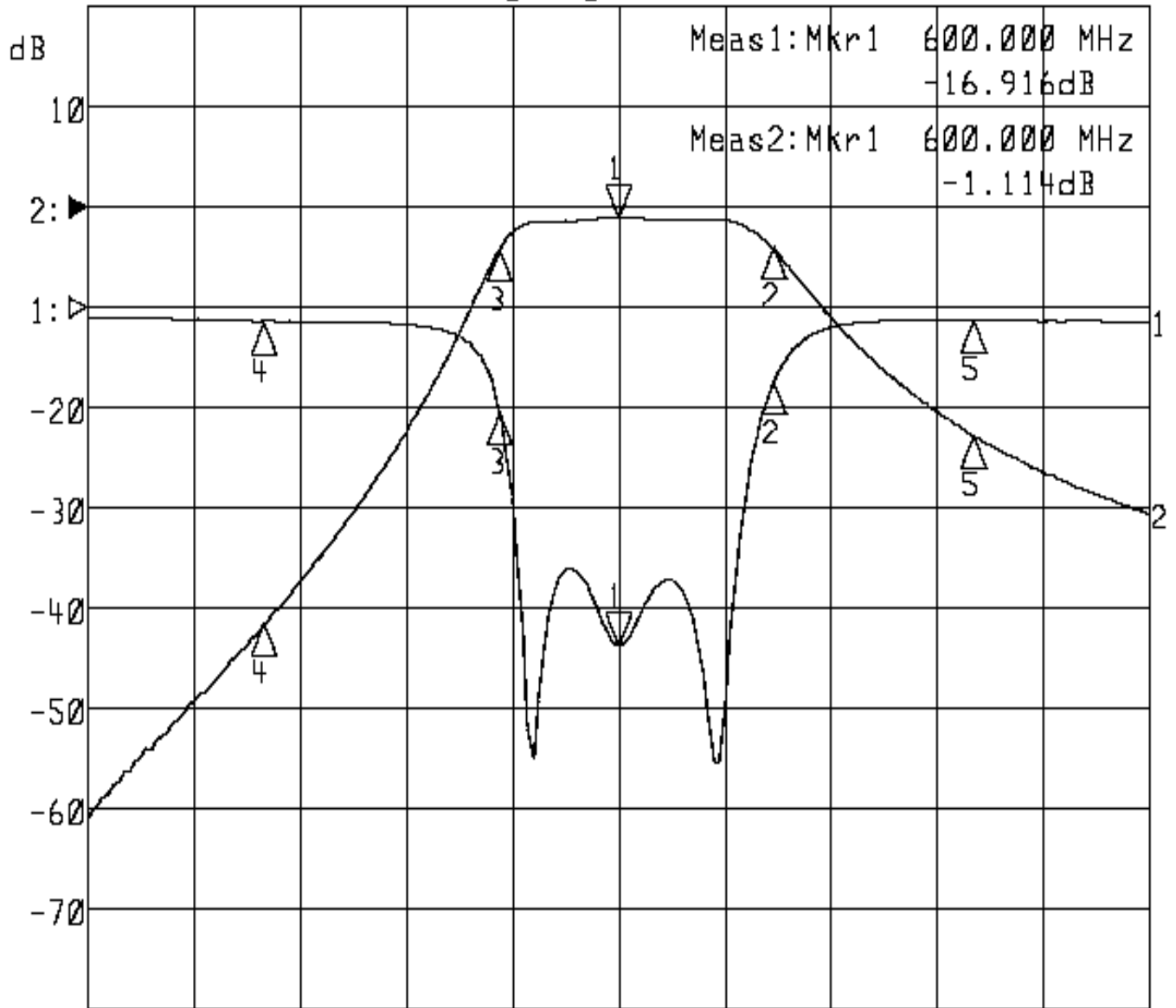
Approval	Supervisor	Designer	Aperture size
C.Y.Chang	C.S.Chang	Enlan	7H3S(4*7.5) 7H046LB6

TEMWELL CORPORATION

Performance-TT67499F-600M

20112104DC

▷1:S11 Refl Port1 Log Mag 5.0 dB/ Ref 0.00 dB C
▶2:S21 Fwd Trans Log Mag 10.0 dB/ Ref 0.00 dB C



Center 600.000 MHz

Span 300.000 MHz

1: Mkr (MHz)	dB	2: Mkr (MHz)	dB
1> 600.0000	-16.916	1> 600.0000	-1.114
2: 643.6000	-3.789	2: 643.6000	-4.124
3: 566.5000	-5.251	3: 566.5000	-4.172
4: 500.0000	-0.693	4: 500.0000	-41.623
5: 700.0000	-0.662	5: 700.0000	-22.742