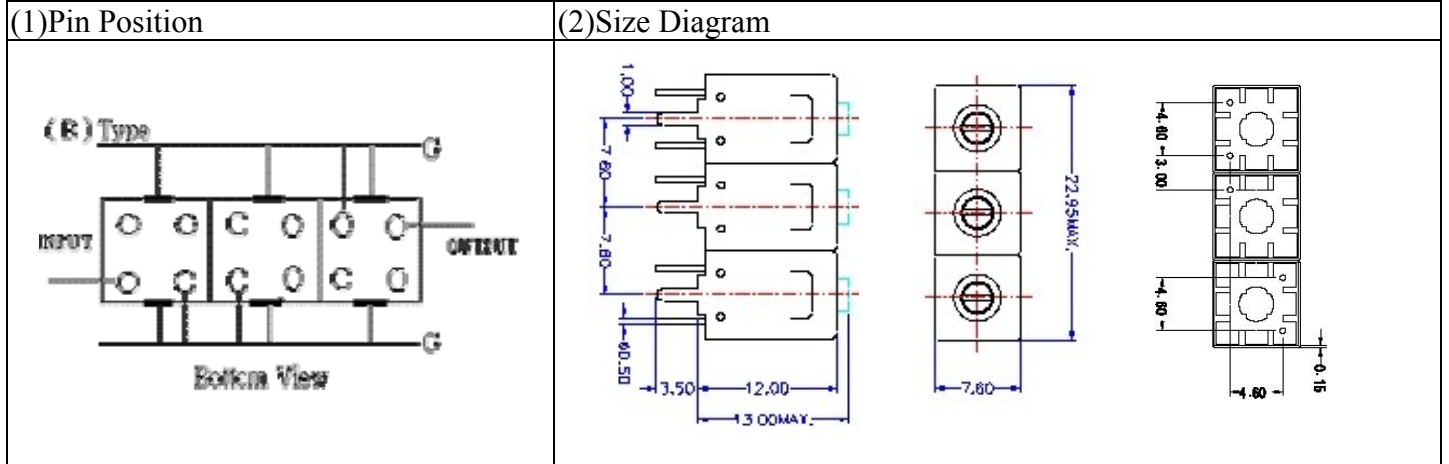


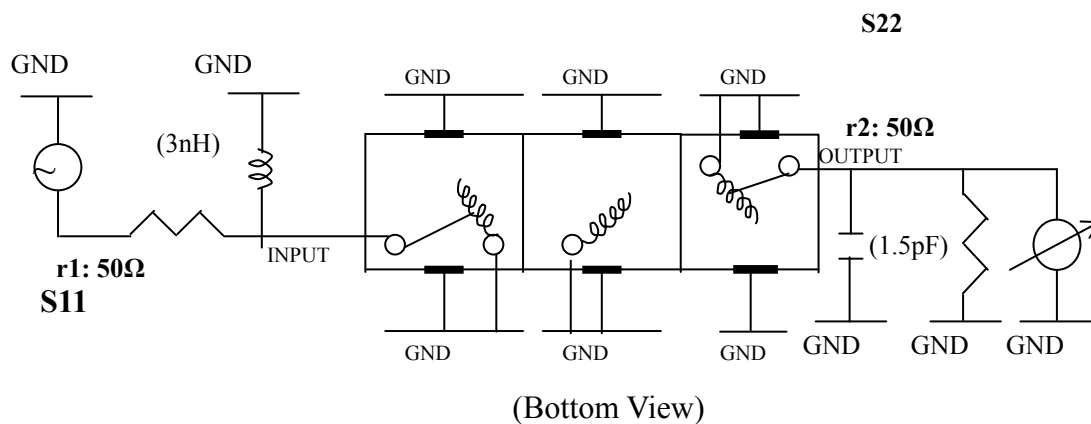
VHF UHF Helical Filter Specification Sheet

Customer Name		Temwell's Part No.	TT67493B-475M
Approval No. /dated	20112092DC	Acceptable Specify Fo Range	456~515MHz
Work Instruction No.	20112092DC	Date	Dec.10,2001



(3) Electric Characteristic			
Item		Specify	Performance
Center Freq.(Fo) +/- 0.5 %		475 MHz	475 MHz
Tunable Range:		475±5 MHz	475±5 MHz
Insertion Loss		Typ. 1.5 dB	0.4 dB
-3 dB Bandwidth		Typ. 56 MHz	60 MHz
Sensitivity (Attenuation)	Fo - 150 MHz	Typ. 60 dBc	64 dBc
	Fo + 150 MHz	Typ. 33 dBc	36 dBc
	Fo - ()MHz	Typ. dBc	dBc
	Fo +()MHz	Typ. dBc	dBc
Return Loss		Min. 12 dB	15.7 dB
Ripple		< 1 dB	dB
Impedance		In / Out : 50 Ω	In / Out : 50 Ω
(4) Torque for Tuning Screw		> 100gf · cm	
(5) Temperature Condition:			
Operating Temperature		0°C ~ +60°C	
Storage Temperature		-20°C ~ +70°C	
(6) Input Power		> 1Watt	

(7) Measuring Circuit: ※Easy to match Impedance S11/S22 50Ωby parallel with about(3nH) / (1.5pF).



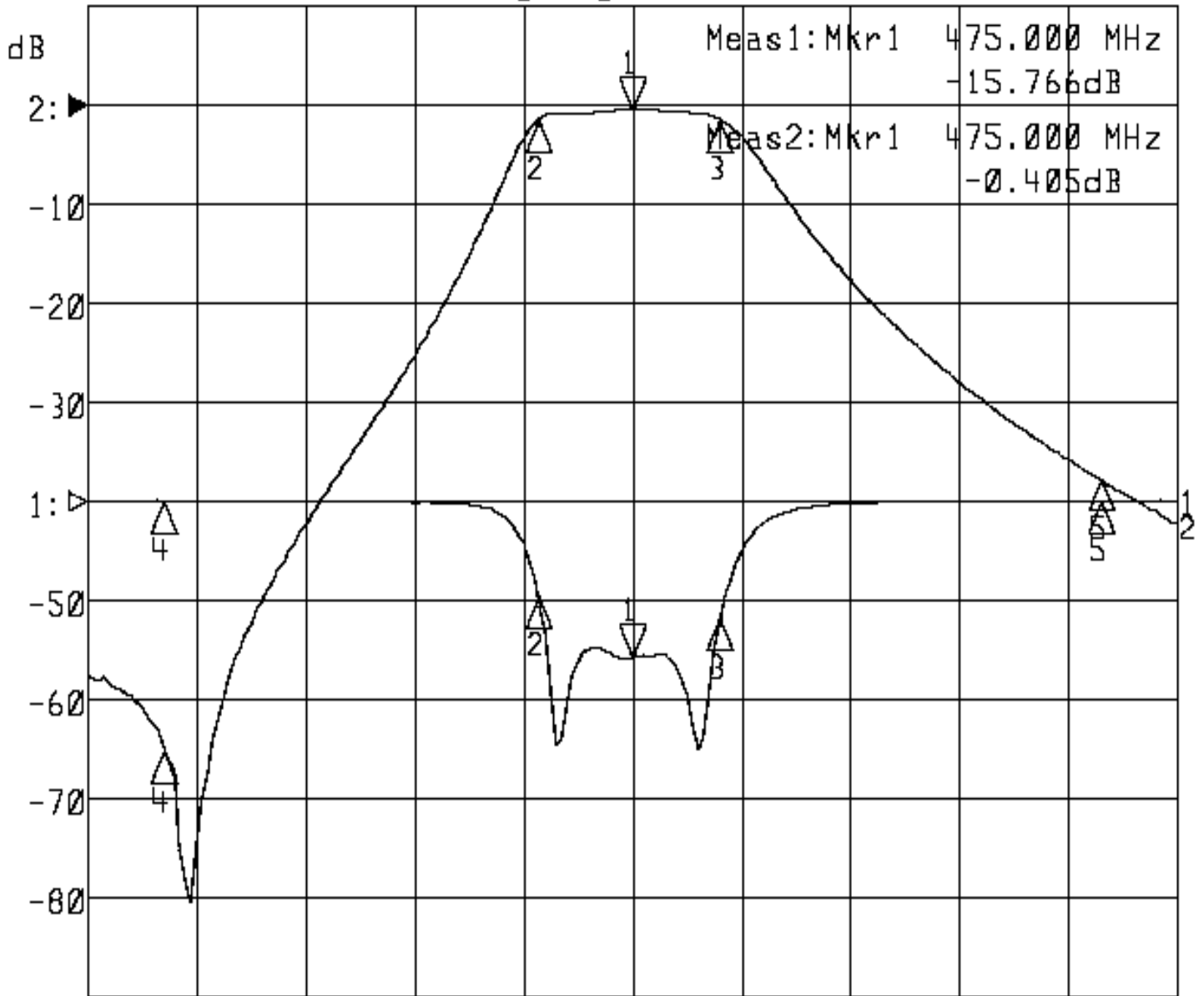
Approval	Supervisor	Designer	Aperture size
C.Y.Chang	C.S.Chang	C.S.Chang	7H3S(4*5.5)F 7H046LB6

TEMWELL CORPORATION

Performance-TT67493B-475M

20112092DC

▶1:S11 Refl Port1 Log Mag 10.0 dB/ Ref 0.00 dB C
▶2:S21 Fwd Trans Log Mag 10.0 dB/ Ref 0.00 dB C



Center 475.000 MHz

Span 350.000 MHz

1: Mkr (MHz)	dB	2: Mkr (MHz)	dB
1> 475.0000	-15.766	1> 475.0000	-0.405
2: 444.6667	-9.394	2: 444.6667	-1.463
3: 503.2333	-11.645	3: 503.2333	-1.432
4: 325.0000	-0.026	4: 325.0000	-65.228
5: 625.0000	0.000	5: 625.0000	-37.718