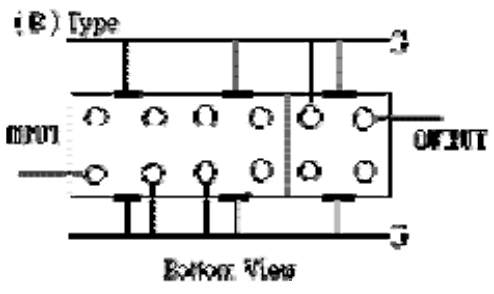
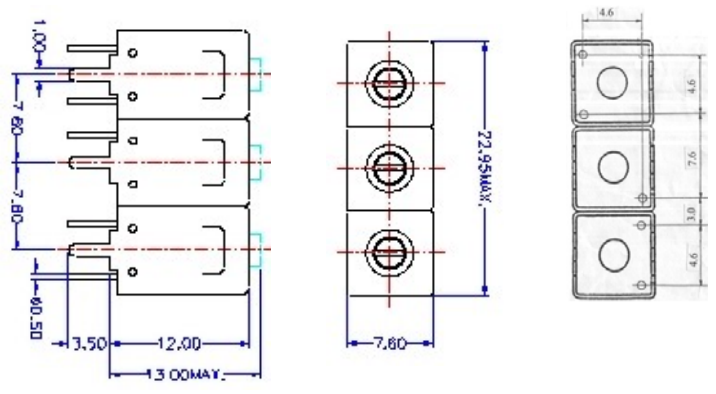


VHF UHF Helical Filter Specification Sheet

Customer Name		Temwell's Part No.	TT67485B-350M
Approval No. /dated	20110084DB	Acceptable Specify Fo. Range	311~355MHz
Work Instruction No.	20110084DB	Date	

(1) Pin Position	(2) Size Diagram
 <p style="text-align: center;">(E) Type Bottom View</p>	

(3) Electric Character

Item	Specify	Performance	
Center Freq.(Fo) +/- 0.75 %	350 MHz	350 MHz	
Tunable Range	350±3 MHz	350±3 MHz	
Insertion Loss	Typ. 2.0 dB	0.7 dB	
-3 dB Bandwidth	Typ. 43 MHz	46 MHz	
Sensitivity (Attenuation)	Fo -100 MHz	Typ. 48 dBc	50 dBc
	Fo +100 MHz	Typ. 36 dBc	38 dBc
	Fo - ()MHz	Typ. dBc	dBc
	Fo +()MHz	Typ. dBc	dBc
Return Loss	Min. 12 dB	19 dB	
Ripple	< 1 dB	dB	
Impedance	In / Out : 50 Ω	In / Out : 50 Ω	

(4) Torque for Tuning Screw > 100gf • cm

(5) Temperature Condition:

Operating Temperature	-30°C ~ +70°C
Storage Temperature	-30°C ~ +80°C

(6) Input Power > 1Watt

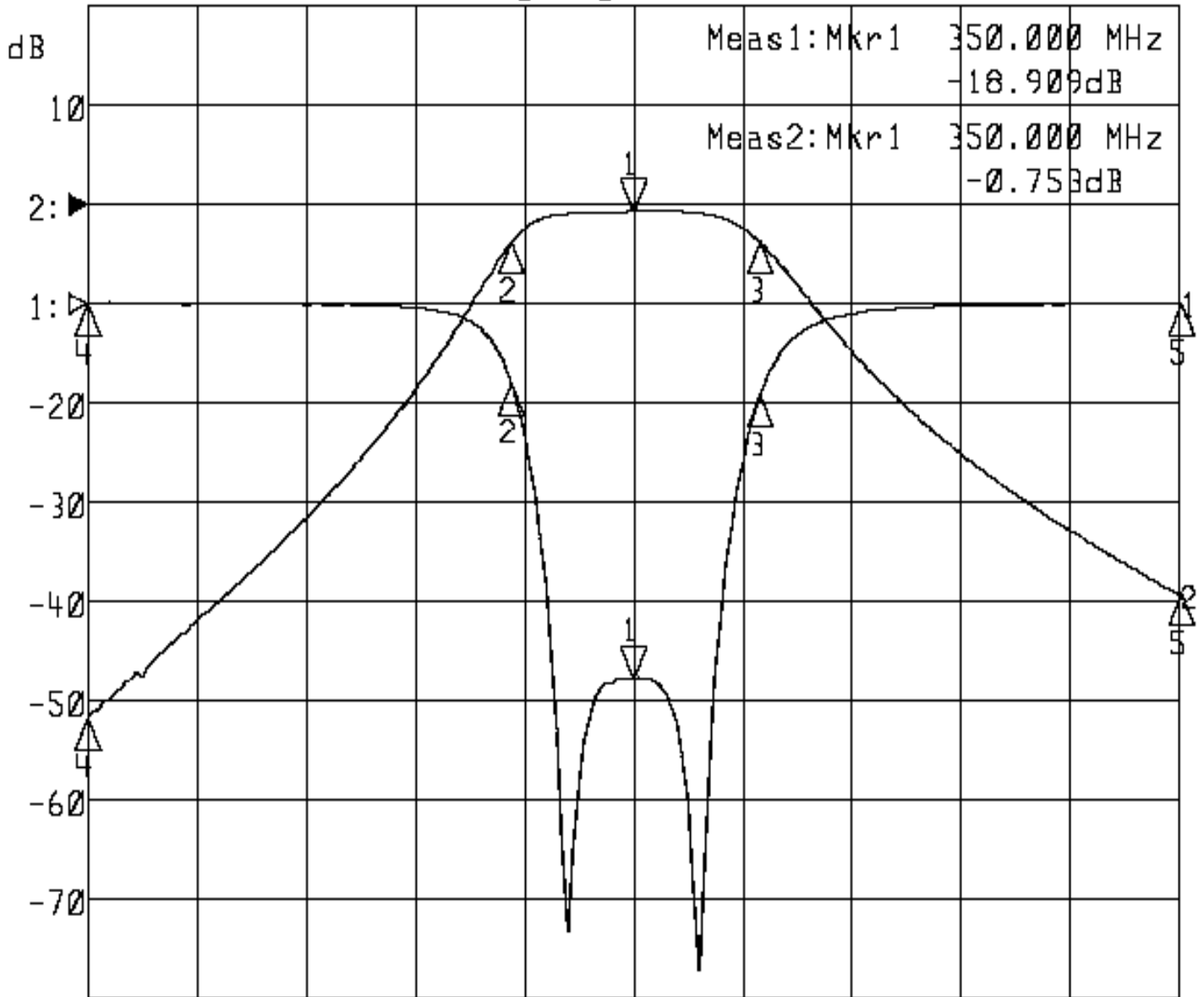
Approval	Supervisor	Designer	Aperture size
C.Y.Chang	C.S.Chang	C.S.Chang	7H3S(4*5.5)F 7H046LB6

TEMWELL CORPORATION

Performance-TT67485B-350M

20110084DB

►1:S11 Refl Port1 Log Mag 5.0 dB/ Ref 0.00 dB C
►2:S21 Fwd Trans Log Mag 10.0 dB/ Ref 0.00 dB C



Center 350.000 MHz

Span 200.000 MHz

1: Mkr (MHz)	dB	2: Mkr (MHz)	dB
1> 350.0000	-18.909	1> 350.0000	-0.753
2: 327.7333	-4.016	2: 327.7333	-3.797
3: 373.2000	-4.600	3: 373.2000	-3.769
4: 250.0000	-0.020	4: 250.0000	-51.676
5: 450.0000	0.027	5: 450.0000	-39.280