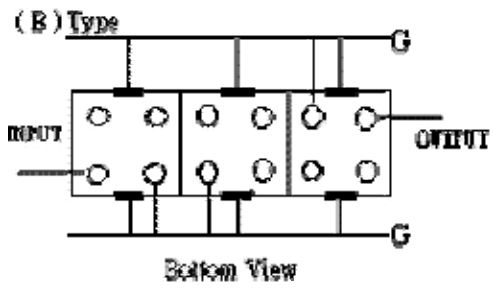
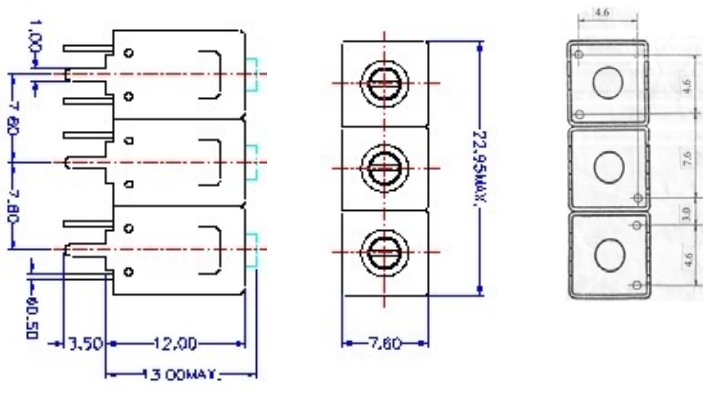


VHF UHF Helical Filter Specification Sheet

Customer Name		Temwell's Part No.	TT67484B-235M
Approval No. /dated	20110083DB	Acceptable Specify Fo. Range	221~245MHz
Work Instruction No.	20110083DB	Date	

(1)Pin Position	(2)Size Diagram
 <p>(B) Type Bottom View</p>	

(3)Electric Character

Item	Specify	Performance	
Center Freq.(Fo) +/- 0.5 %	235 MHz	235 MHz	
Tunable Range	235±3 MHz	235±3 MHz	
Insertion Loss	Typ. 2.0 dB	0.7 dB	
-3 dB Bandwidth	Typ. 32 MHz	33 MHz	
Sensitivity (Attenuation)	Fo -50 MHz	Typ. 28 dBc	31 dBc
	Fo +50 MHz	Typ. 20 dBc	22 dBc
	Fo - ()MHz	Typ. dBc	dBc
	Fo +()MHz	Typ. dBc	dBc
Return Loss	Min. 12 dB	29 dB	
Ripple	< 1 dB	dB	
Impedance	In / Out : 50 Ω	In / Out : 50 Ω	
(4)Torque for Tuning Screw	> 100gf · cm		

(5)Temperature Condition:

Operating Temperature	0°C ~ +60°C
Storage Temperature	-20°C ~ +70°C

(6)Input Power

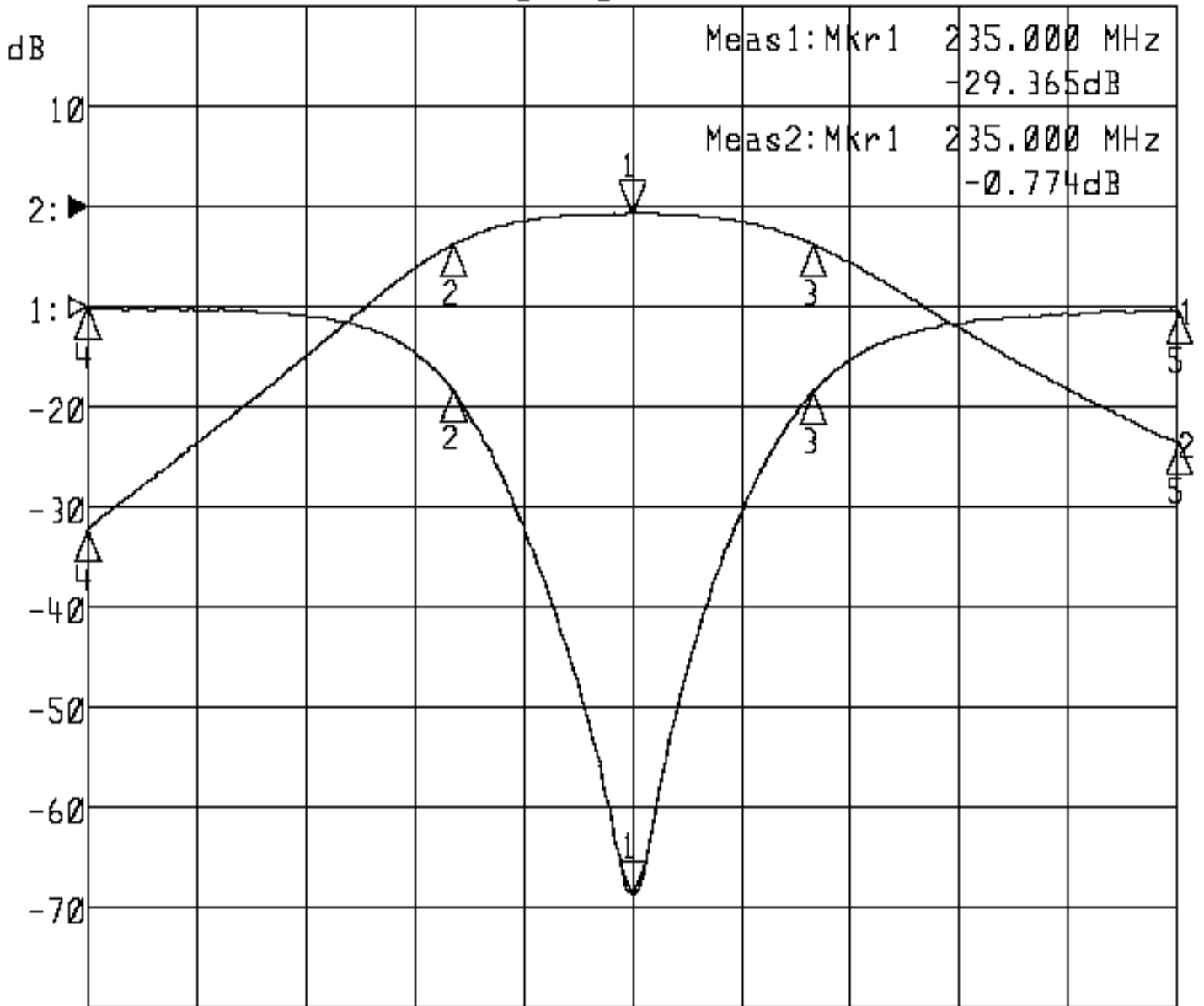
		> 1Watt	
Approval	Supervisor	Designer	Aperture size
C.Y.Chang	C.S.Chang	C.S.Chang	7H3S(4*5.5)F 7H046LB5.5

TEMWELL CORPORATION

Performance-TT67484B-235M

20110083DB

▶1:S11 Refl Port1 Log Mag 5.0 dB/ Ref 0.00 dB C
▶2:S21 Fwd Trans Log Mag 10.0 dB/ Ref 0.00 dB C



Center 235.000 MHz

Span 100.000 MHz

1: Mkr (MHz)	dB	2: Mkr (MHz)	dB
1> 235.0000	-29.365	1> 235.0000	-0.774
2: 218.5667	-4.157	2: 218.5667	-3.735
3: 251.6333	-4.239	3: 251.6333	-3.770
4: 185.0000	-0.055	4: 185.0000	-32.149
5: 285.0000	-0.212	5: 285.0000	-23.576