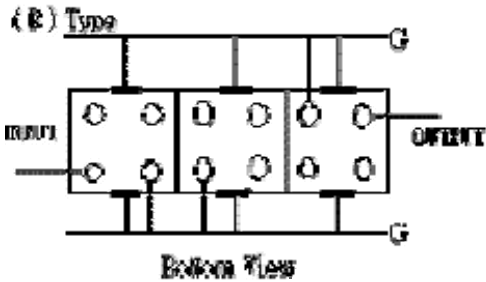
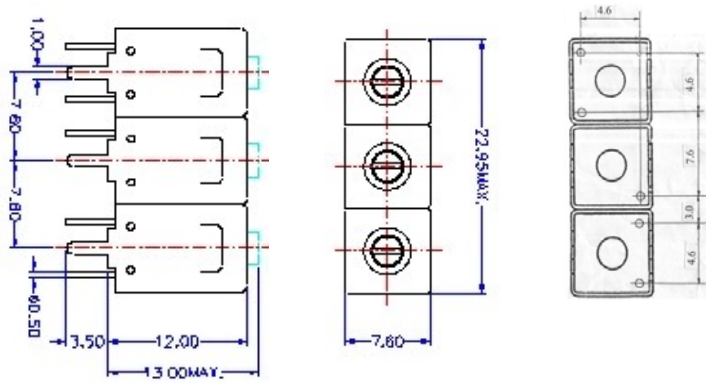


VHF UHF Helical Filter Specification Sheet

Customer Name		Temwell's Part No.	TT67482B-1015M
Approval No. /dated	20108005DB	Acceptable Specify Fo. Range	1001~1100MHz
Work Instruction No.	20108005DB	Date	

<p>(1) Pin Position</p>  <p style="text-align: center;">Bottom View</p>	<p>(2) Size Diagram</p> 
--	--

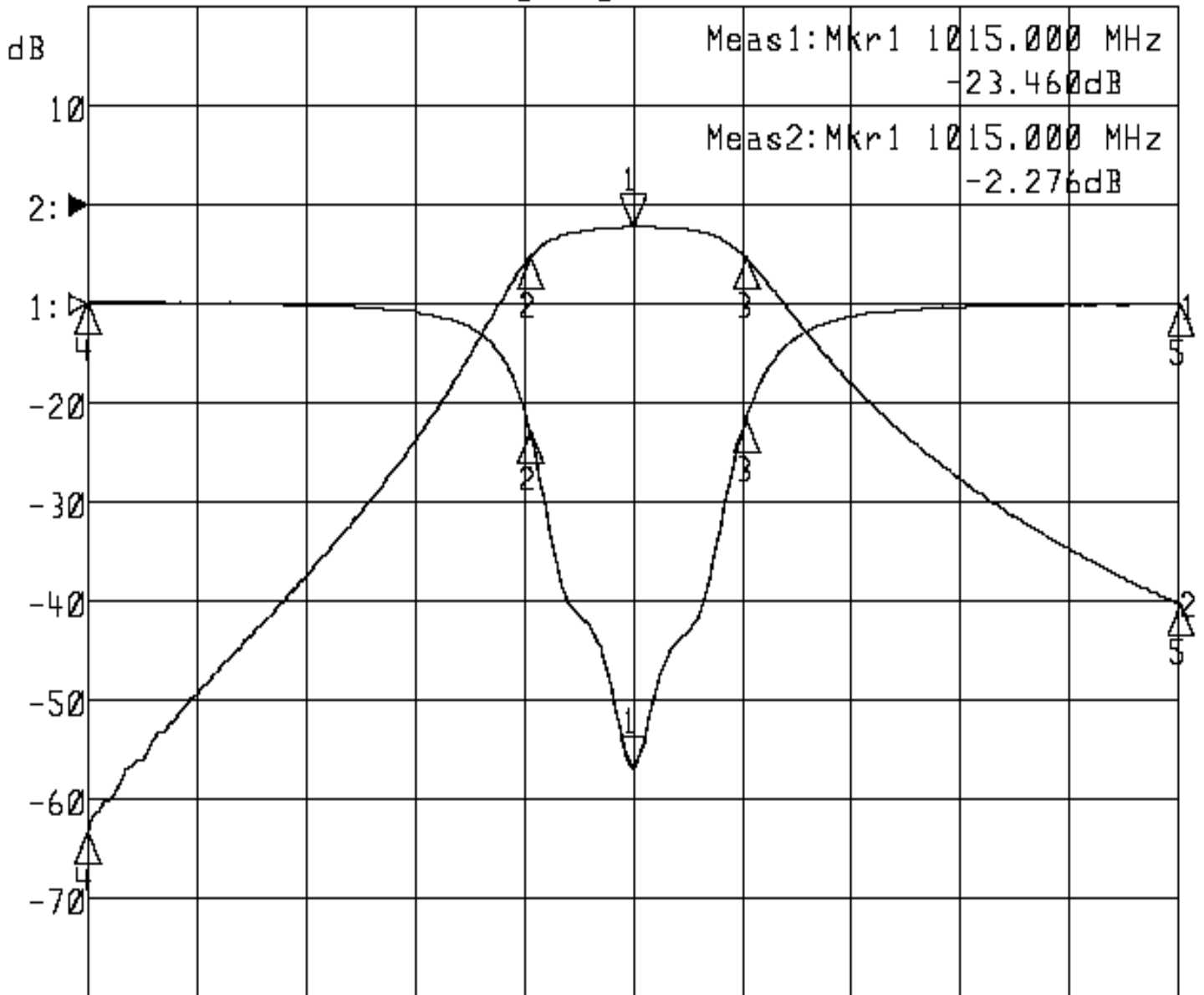
(3) Electric Character			
Item		Specify	Performance
Center Freq.(Fo) +/- 0.5 %		1015 MHz	1015 MHz
Tunable Range		1015±5 MHz	1015±5 MHz
Insertion Loss		Typ. 3.5 dB	2.1 dB
-3 dB Bandwidth		Typ. 34 MHz	39 MHz
Sensitivity (Attenuation)	Fo -100 MHz	Typ. 58 dBc	61 dBc
	Fo +100 MHz	Typ. 35 dBc	38 dBc
	Fo - ()MHz	Typ. dBc	dBc
	Fo +()MHz	Typ. dBc	dBc
Return Loss		Min. 12 dB	23.4 dB
Ripple		< 1 dB	dB
Impedance		In / Out : 50 Ω	In / Out : 50 Ω
(4) Torque for Tuning Screw		> 100gf • cm	
(5) Temperature Condition:			
Operating Temperature		0°C ~ +60°C	
Storage Temperature		-20°C ~ +70°C	
(6) Input Power		> 1Watt	
Approval	Supervisor	Designer	Aperture size
C.Y.Chang	C.S.Chang	C.S.Chang	7H3S(4*5.5)F 7H046RB4

TEMWELL CORPORATION

Performance-TT67482B-1015M

20108005DB

▶1:S11 Refl Port1 Log Mag 5.0 dB/ Ref 0.00 dB C
▶2:S21 Fwd Trans Log Mag 10.0 dB/ Ref 0.00 dB C



Center 1 015.000 MHz

Span 200.000 MHz

1: Mkr (MHz)	dB	2: Mkr (MHz)	dB
1 > 1015.0000	-23.460	1 > 1015.0000	-2.276
2: 996.1333	-6.372	2: 996.1333	-5.269
3: 1035.6000	-5.922	3: 1035.6000	-5.221
4: 915.0000	0.098	4: 915.0000	-63.347
5: 1115.0000	-0.027	5: 1115.0000	-40.213