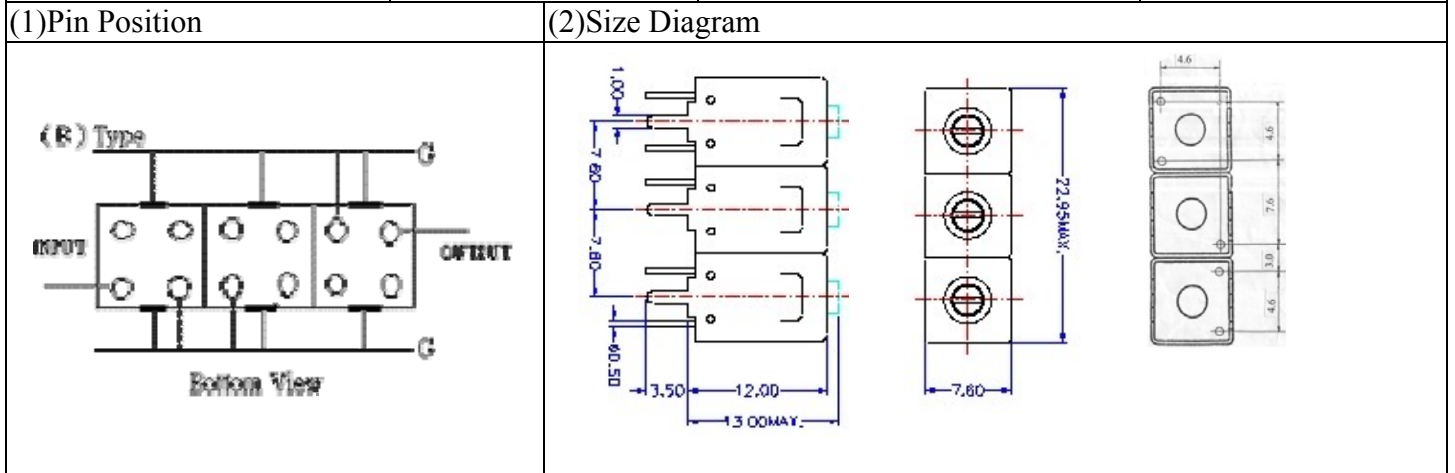


VHF UHF Helical Filter Specification Sheet

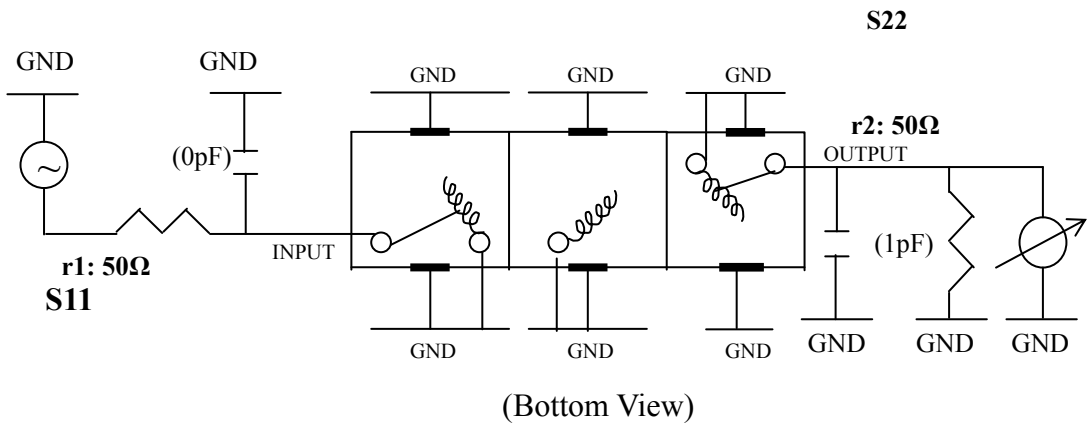
Customer Name		Temwell's Part No.	TT67478B-480M
Approval No. /dated	20107002DB	Acceptable Specify Fo Range	456~515MHz
Work Instruction No.	20107002DB	Date	



(3) Electric Character			
Item		Specify	Performance
Center Freq.(Fo) +/- 0.5 %		480 MHz	480 MHz
Tunable Range:		480±3 MHz	480±3 MHz
Insertion Loss		Typ. 4.5 dB	3.5 dB
-3 dB Bandwidth		Typ. 31 MHz	35 MHz
Sensitivity (Attenuation)	Fo - 50 MHz	Typ. 22 dBc	25 dBc
	Fo + 50 MHz	Typ. 20 dBc	22 dBc
	Fo - ()MHz	Typ. dBc	dBc
	Fo +()MHz	Typ. dBc	dBc
Return Loss		Min. 12 dB	20.5 dB
Ripple		< 1 dB	dB
Impedance		In / Out : 50 Ω	In / Out : 50 Ω

(4) Torque for Tuning Screw		> 100gf · cm
(5) Temperature Condition:		
Operating Temperature		0°C ~ +60°C
Storage Temperature		-20°C ~ +70°C
(6) Input Power		> 1Watt

(7) Measuring Circuit: ※Easy to match Impedance S11/S22 50Ω/75Ωby parallel with about(0 pF) / (0~1 pF).

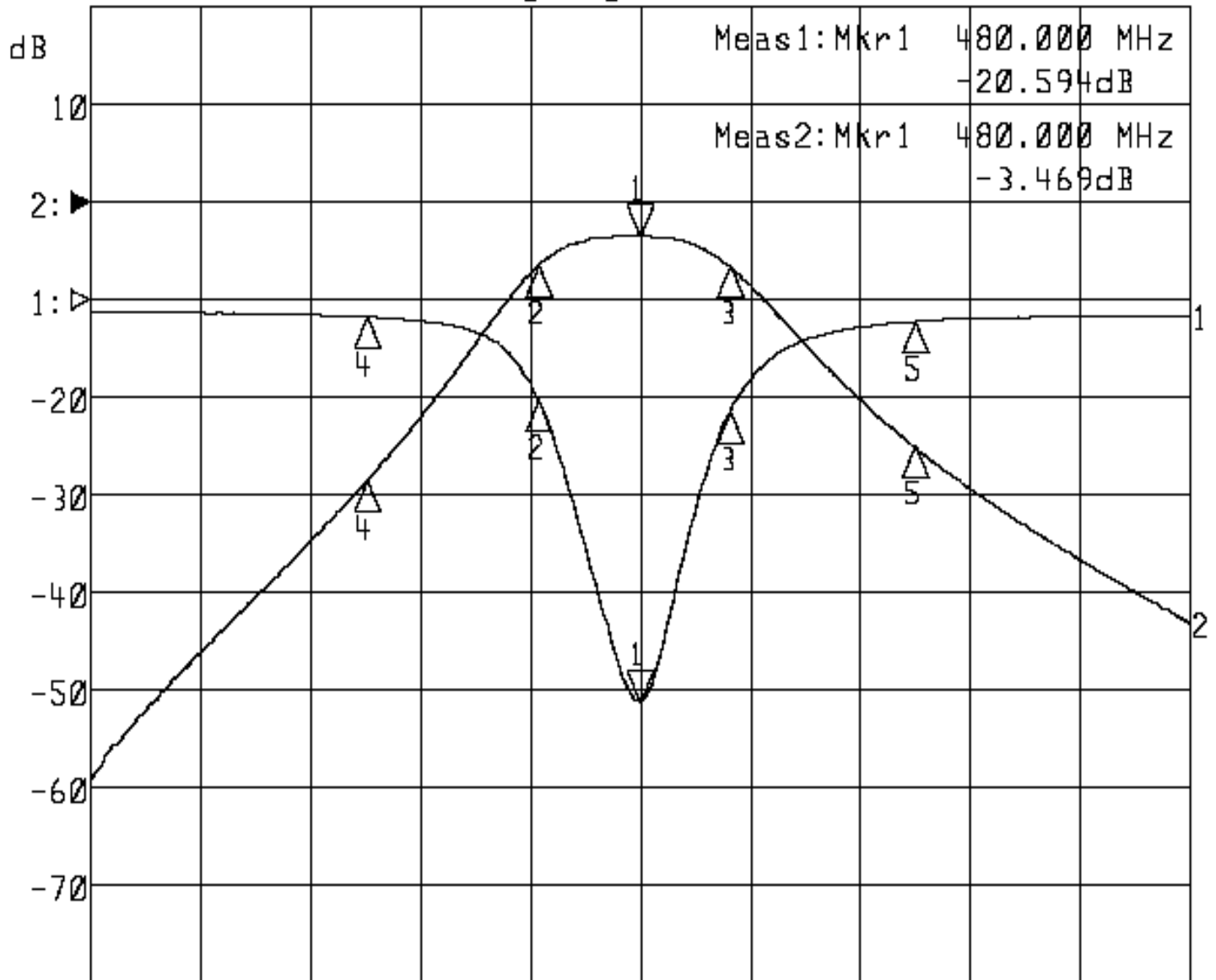


Approval	Supervisor	Designer	Aperture size
C.Y.Chang	C.S.Chang	C.S.Chang	7H3S(4*5.5)F 7H046LB4 聚 3

Performance-TT67478B-480M

20107002DB

▶1: S11 Refl Port1 Log Mag 5.0 dB/ Ref 0.00 dB
 ▶2: S21 Fwd Trans Log Mag 10.0 dB/ Ref 0.00 dB



Center 480.000 MHz

Span 200.000 MHz

1: Mkr (MHz)	dB	2: Mkr (MHz)	dB
1 > 480.0000	-20.594	1 > 480.0000	-3.469
2: 461.5667	-5.147	2: 461.5667	-6.433
3: 496.2667	-5.773	3: 496.2667	-6.570
4: 430.3667	-0.907	4: 430.3667	-28.525
5: 530.0000	-1.138	5: 530.0000	-25.094