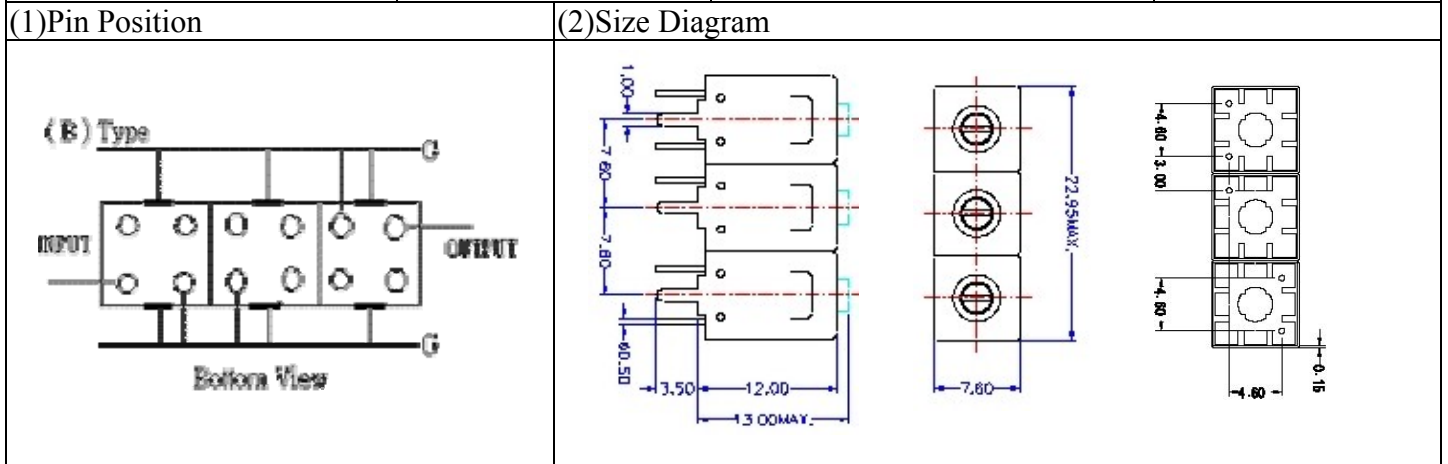


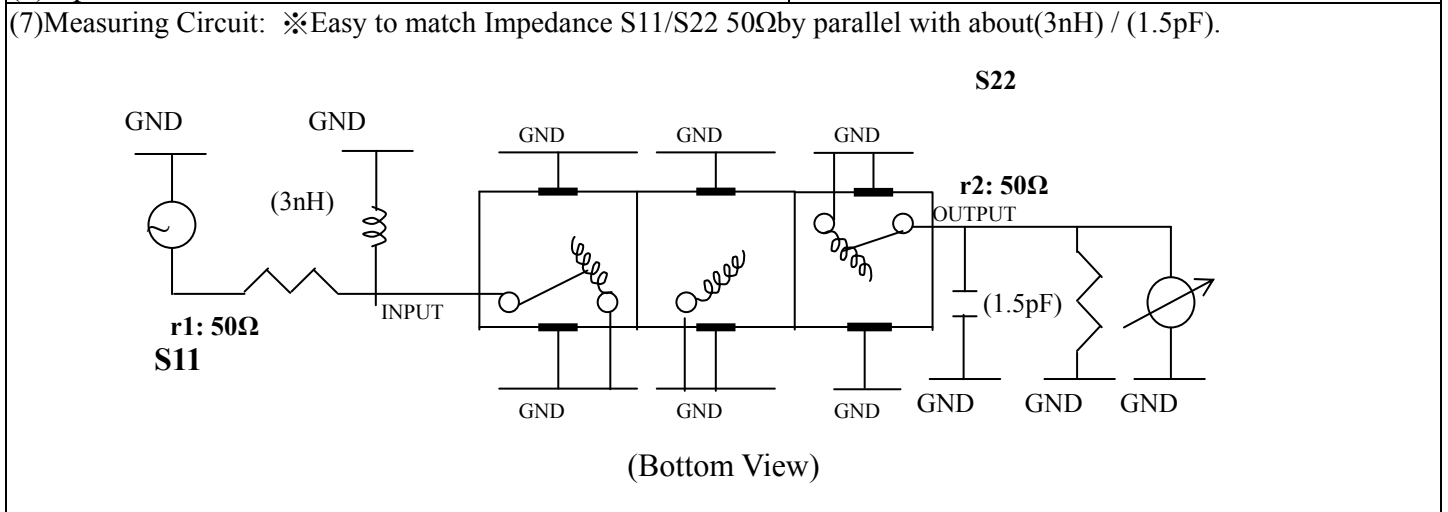
VHF UHF Helical Filter Specification Sheet

Customer Name		Temwell's Part No.	TT67474B-580M
Approval No. /dated	20105045DC	Acceptable Specify Fo Range	556~595MHz
Work Instruction No.	20105045DC	Date	May.10,2001



(3) Electric Characteristic			
Item		Specify	Performance
Center Freq.(Fo) +/- 0.5 %		474 MHz	474 MHz
Tunable Range:		474±5 MHz	474±5 MHz
Insertion Loss		Typ. 2.0 dB	1.1 dB
-3 dB Bandwidth		Typ. 40 MHz	43 MHz
Sensitivity (Attenuation)	Fo - 100 MHz	Typ. 43 dBc	45 dBc
	Fo + 100 MHz	Typ. 34 dBc	36 dBc
	Fo - ()MHz	Typ. dBc	dBc
	Fo +()MHz	Typ. dBc	dBc
Return Loss		Min. 12 dB	25.1 dB
Ripple		< 1 dB	dB
Impedance		In / Out : 50 Ω	In / Out : 50 Ω
(4) Torque for Tuning Screw		> 100gf · cm	

(5) Temperature Condition:	
Operating Temperature	0°C ~ +60°C
Storage Temperature	-20°C ~ +70°C
(6) Input Power	> 1Watt



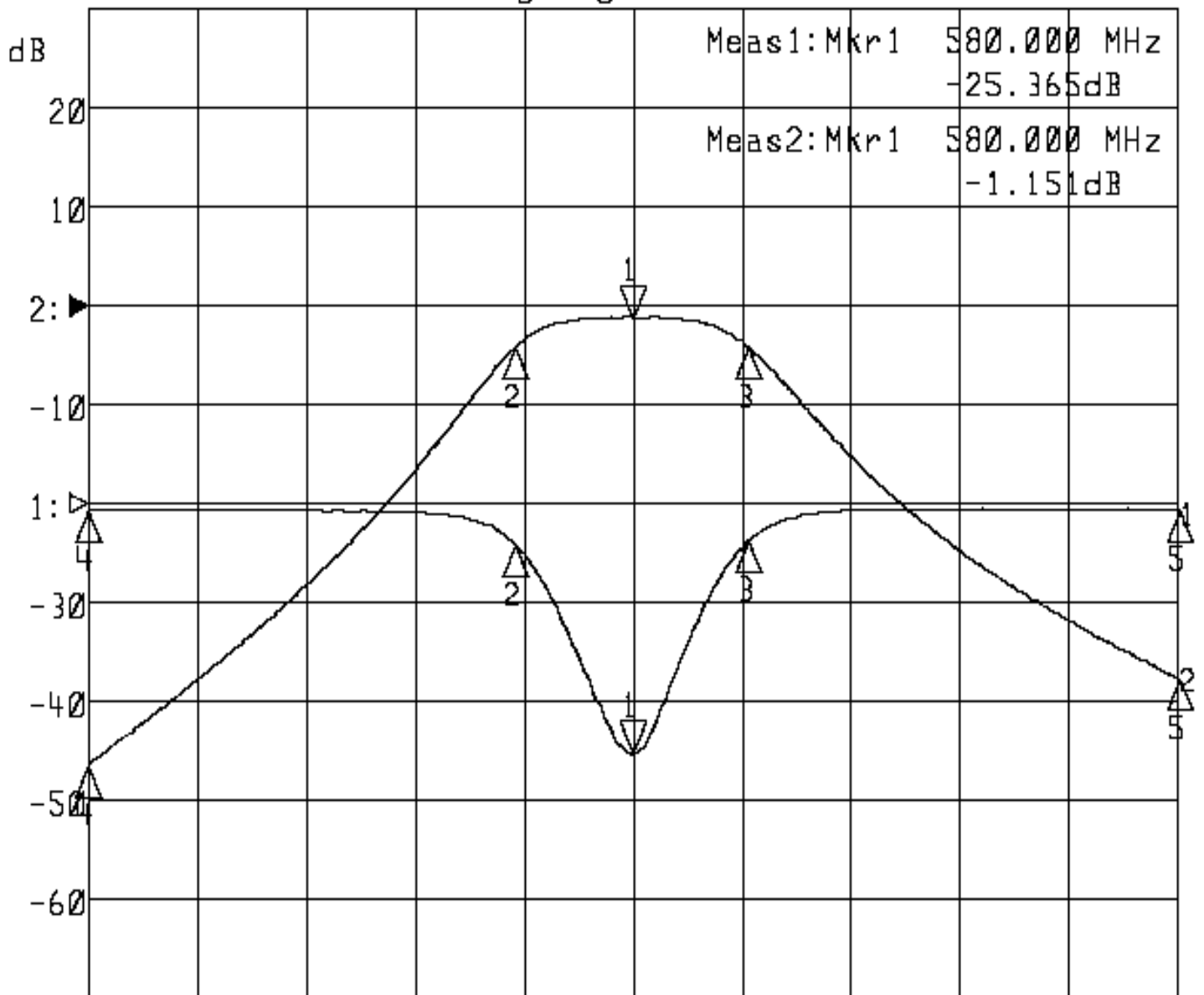
Approval	Supervisor	Designer	Aperture size
C.Y.Chang	C.S.Chang	C.S.Chang	7H3S(4*5.5)F 7H046LB5

TEMWELL CORPORATION

Performance-TT67474B-580M

20105045DC

▶1:S11 Refl Port1 Log Mag 10.0 dB/ Ref 0.00 dB C
▶2:S21 Fwd Trans Log Mag 10.0 dB/ Ref 0.00 dB C



Center 580.000 MHz

Span 200.000 MHz

1:Mkr (MHz)	dB	2:Mkr (MHz)	dB
1> 580.0000	-25.365	1> 580.0000	-1.151
2: 558.4667	-4.136	2: 558.4667	-4.148
3: 601.2000	-3.785	3: 601.2000	-4.153
4: 480.0000	-0.634	4: 480.0000	-46.550
5: 680.0000	-0.756	5: 680.0000	-37.651