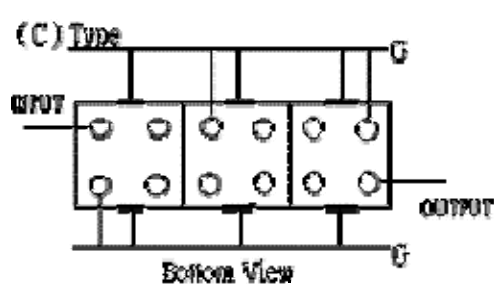
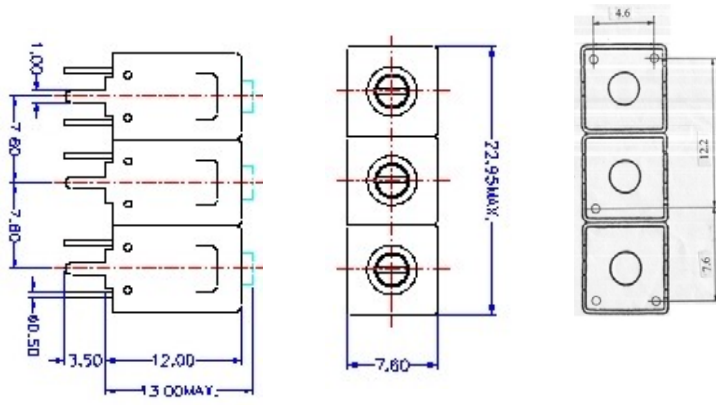


VHF UHF Helical Filter Specification Sheet

Customer Name		Temwell's Part No.	TT67473C1-1011M
Approval No. /dated	20105068DC	Acceptable Specify Fo. Range	1001~1100MHz
Work Instruction No.	20105068DC	Date	

<p>(1) Pin Position</p>  <p style="text-align: center;">Bottom View</p>	<p>(2) Size Diagram</p> 
---	--

(3) Electric Character			
Item		Specify	Performance
Center Freq.(Fo) +/- 0.5 %		1011 MHz	1011 MHz
Tunable Range		1011±10 MHz	1011±10 MHz
Insertion Loss		Typ. 3.5 dB	2.6 dB
-3 dB Bandwidth		Typ. 25 MHz	31 MHz
Sensitivity (Attenuation)	Fo -100 MHz	Typ. 58 dBc	60 dBc
	Fo +100 MHz	Typ. 38 dBc	40 dBc
	Fo - ()MHz	Typ. dBc	dBc
	Fo +()MHz	Typ. dBc	dBc
Return Loss		Min. 12 dB	21.5 dB
Ripple		< 1 dB	dB
Impedance		In / Out : 50 Ω	In / Out : 50 Ω
(4) Torque for Tuning Screw		> 100gf • cm	
(5) Temperature Condition:			
Operating Temperature		0°C ~ +60°C	
Storage Temperature		-20°C ~ +70°C	
(6) Input Power		> 1Watt	
Approval	Supervisor	Designer	Aperture size
C.Y.Chang	C.S.Chang	C.S.Chang	7H3S(4*6.5)F 7H046RB4

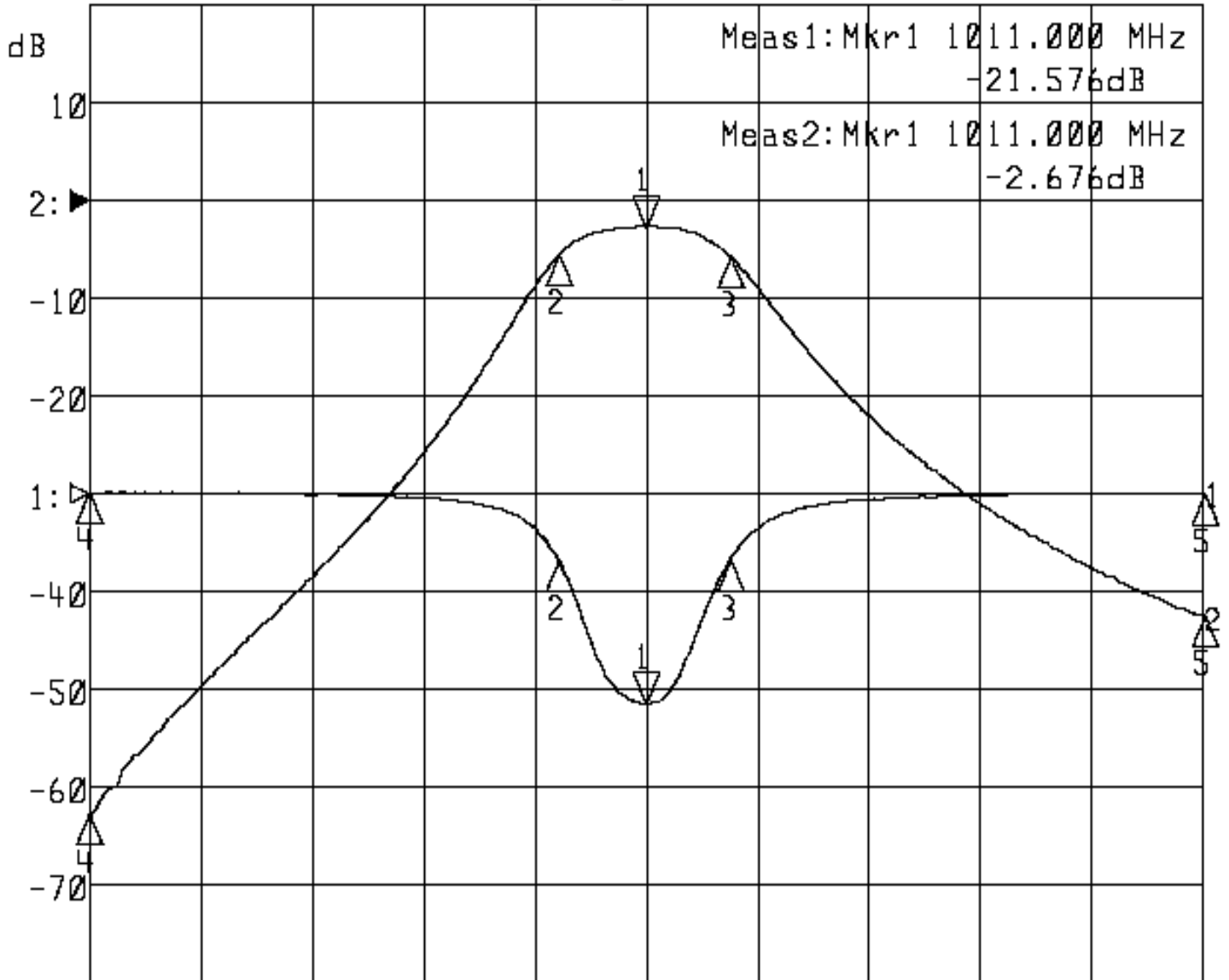
TEMWELL CORPORATION

Performance-TT67473C1-1011M

20105068DC

▶1:S11 Refl Port1 Log Mag 10.0 dB/ Ref 0.00 dB C

▶2:S21 Fwd Trans Log Mag 10.0 dB/ Ref 0.00 dB C



Center 1 011.000 MHz

Span 200.000 MHz

1:Mkr (MHz)	dB	2:Mkr (MHz)	dB
1> 1011.0000	-21.576	1> 1011.0000	-2.676
2: 995.2667	-6.792	2: 995.2667	-5.623
3: 1026.0000	-6.783	3: 1026.0000	-5.662
4: 911.1333	0.142	4: 911.1333	-62.835
5: 1111.0000	0.004	5: 1111.0000	-42.537