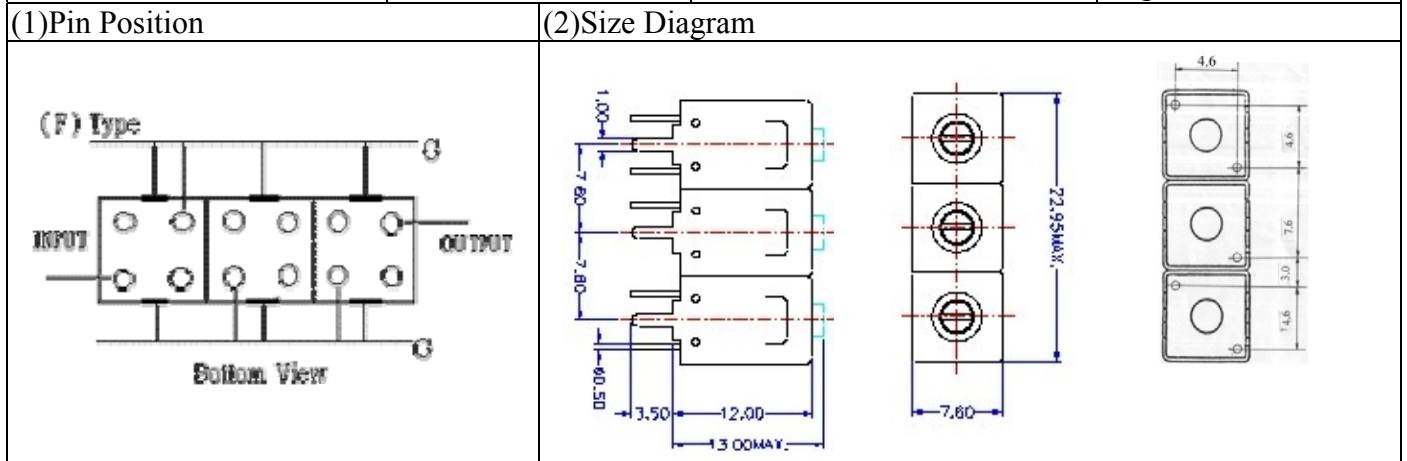


VHF UHF Helical Filter Specification Sheet

Customer Name		Temwell's Part No.	TT67460F-406M
Approval No. /dated	0607069CD	Acceptable Specify Fo Range	401~455MHz
Work Instruction No.	0607069DC	Date	Aug.09.2006



(3) Electric Character

Item	Specify	Performance	
Center Freq.(Fo) +/- 0.5 %	406 MHz	406 MHz	
Tunable Range	406±5 MHz	406±5 MHz	
Insertion Loss	Typ. 2.5 dB	1.53 dB	
-3 dB Bandwidth	Typ. 18 MHz	21.0 MHz	
Sensitivity (Attenuation)	Fo - 50 MHz	Typ. 43 dBc	46 dBc
	Fo + 50 MHz	Typ. 39 dBc	42 dBc
	Fo - ()MHz	Typ. dBc	dBc
	Fo +()MHz	Typ. dBc	dBc
Return Loss	Min. 12 dB	39.5 dB	
Ripple	< 1 dB	dB	
Impedance	In / Out : 50 Ω	In / Out : 50 Ω	

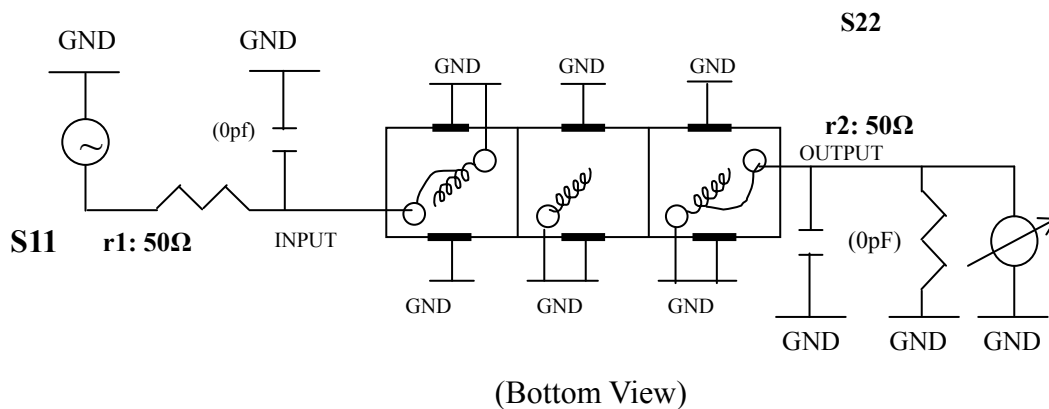
(4) Torque for Tuning Screw > 100gf · cm

(5) Temperature Condition:

Operating Temperature	0°C ~ +60°C
Storage Temperature	-20°C ~ +70°C

(6) Input Power > 1Watt

(7) Measuring Circuit: ※Easy to match Impedance S11/S22 50Ω/ by parallel with about(0)/(0pf).

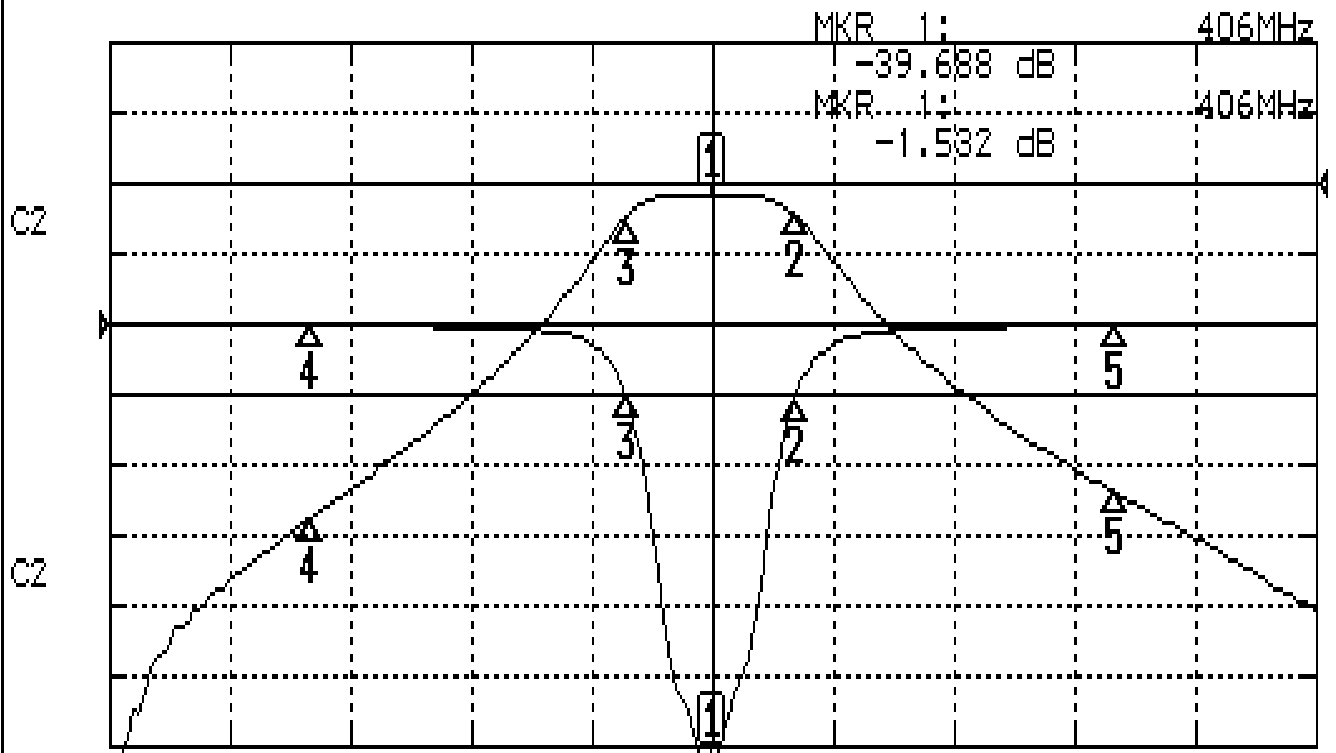


Approval	Supervisor	Designer	Aperture size
C.Y.Chang	C.S.Chang	P.H.Chiang	7H3(4*6.5)(6.58) 7H046LB4 聚 3
TEMWELL		CORPORATION	

Performance-TT67460F-406M

0607069DC

CH1 S11 LOG MAG REF 0.000 dB 5.000 dB/
CH2 S21 LOG MAG REF 0.000 dB 10.000 dB/



CENTER 406MHz

[10.00 dBm]

SPAN 150MHz

CH1 MARKER LIST

1:	406.000MHz	-39.562 dB
2:	416.375MHz	-5.150 dB
3:	395.375MHz	-5.232 dB
4:	356.000MHz	-0.075 dB
5:	456.000MHz	-0.087 dB

CH2 MARKER LIST

1:	406.000MHz	-1.532 dB
2:	416.375MHz	-4.544 dB
3:	395.375MHz	-4.603 dB
4:	356.000MHz	-47.435 dB
5:	456.000MHz	-43.901 dB