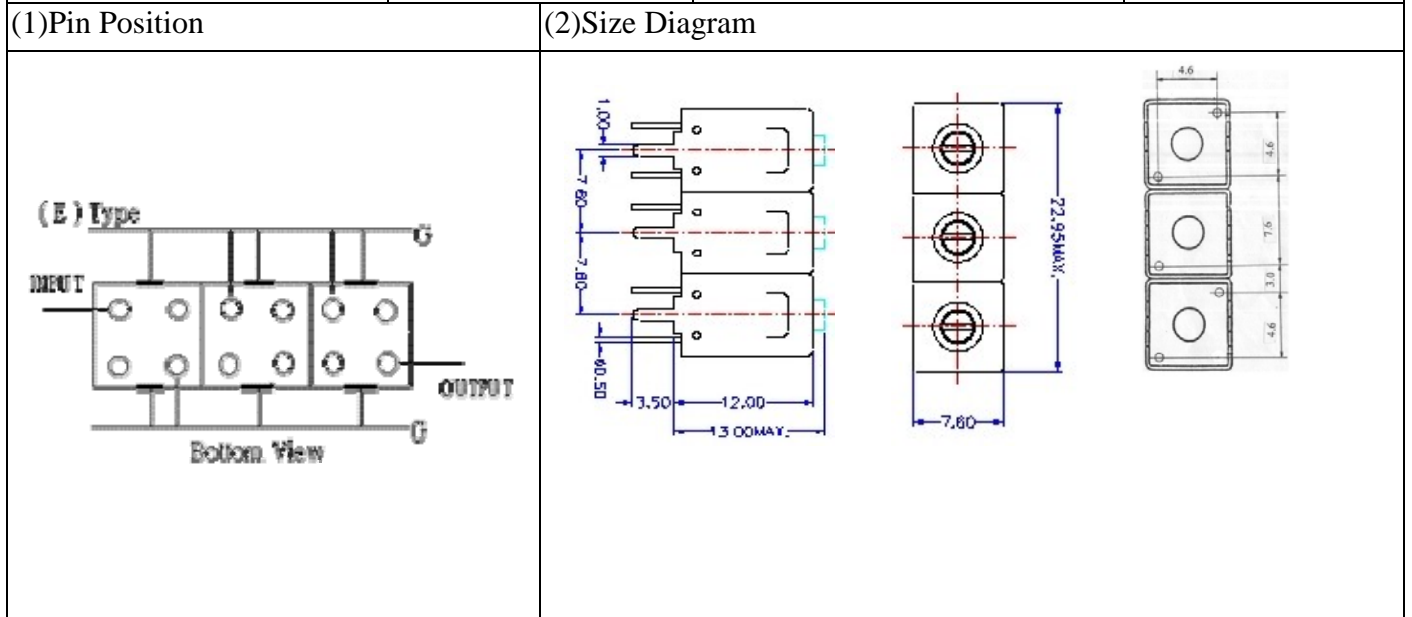


VHF UHF Helical Filter Specification Sheet

Customer Name		Temwell's Part No.	TT67458E-367M
Approval No. /dated	20302038DC	Acceptable Specify Fo. Range	356~400MHz
Work Instruction No.	20302038DC	Date	



(3) Electric Charasteric

Item	Specify	Performance
Center Freq.(Fo) +/- 0.5 %	367 MHz	367 MHz
Tunable Range:	367±4 MHz	367±4 MHz
Insertion Loss	Typ. 3.5 dB	2.2 dB
-1 dB Bandwidth	Typ. 9 MHz	11 MHz
-3 dB Bandwidth	Typ. 15 MHz	17 MHz
Sensitivity (Attenuation)	Fo - 30 MHz	Typ. 35 dBc
	Fo + 30 MHz	Typ. 34 dBc
	Fo - ()MHz	Typ. dBc
	Fo +()MHz	Typ. dBc
Return Loss	Min. 12 dB	22.9 dB
Ripple	< 1 dB	dB
Impedance	In / Out : 50 Ω	In / Out : 50 Ω

(4) Torque for Tuning Screw > 100gf · cm

(5) Temperature Condition:

Operating Temperature	0°C ~ +60°C
Storage Temperature	20°C ~ +70°C

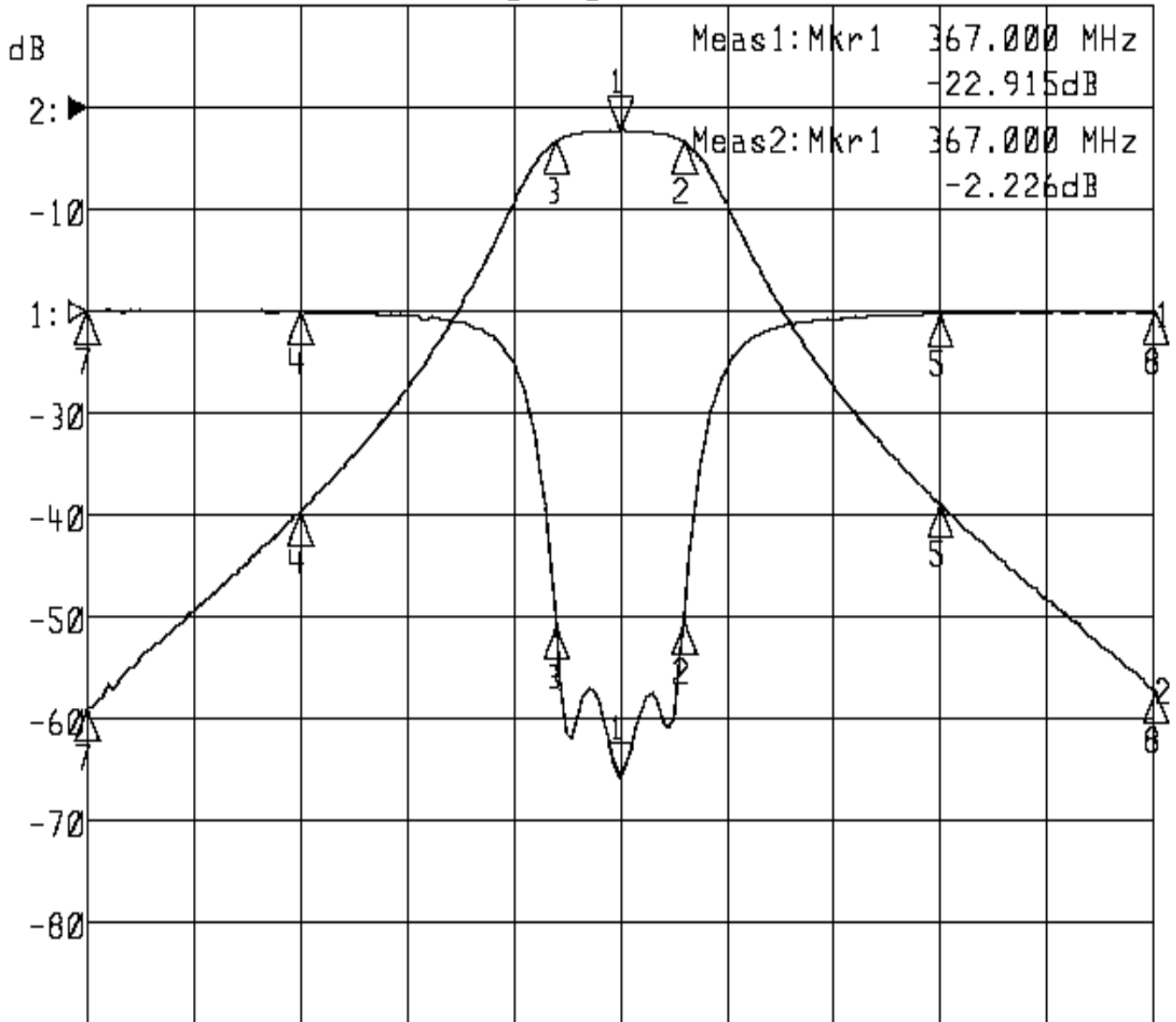
(6) Input Power > 1Watt

Approval C.Y.Chang	Supervisor C.S.Chang	Designer C.S.Chang	Aperture size 7H3S(4*6.5)F 7H046LB4 聚 3
-----------------------	-------------------------	-----------------------	---

Performance-TT67458E-367M

20302038DC

►1:S11 Refl Port1 Log Mag 5.0 dB/ Ref 0.00 dB C
►2:S21 Fwd Trans Log Mag 10.0 dB/ Ref 0.00 dB C



Center 367.000 MHz

Span 100.000 MHz

1:Mkr (MHz)	dB	2:Mkr (MHz)	dB
1> 367.0000	-22.915	1> 367.0000	-2.226
2: 372.9000	-15.223	2: 372.9000	-3.302
3: 361.0667	-15.471	3: 361.0667	-3.250
4: 337.0000	-0.037	4: 337.0000	-39.729
5: 397.0000	-0.153	5: 397.0000	-38.976
7: 317.0000	0.000	7: 317.0000	-58.898
8: 417.0000	-0.036	8: 417.0000	-57.126