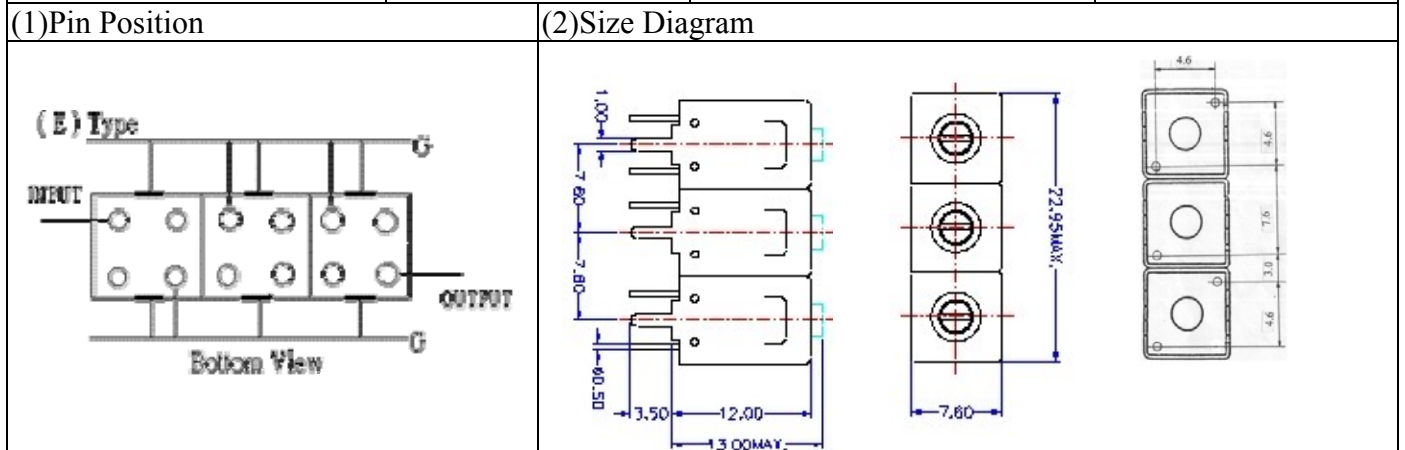


VHF UHF Helical Filter Specification Sheet

Customer Name		Temwell's Part No.	TT67455E-344M
Approval No. /dated	20103016APR	Temwell's print name.	311~355M
Work Instruction No.	20103016DC	Date	Jul.26.2006



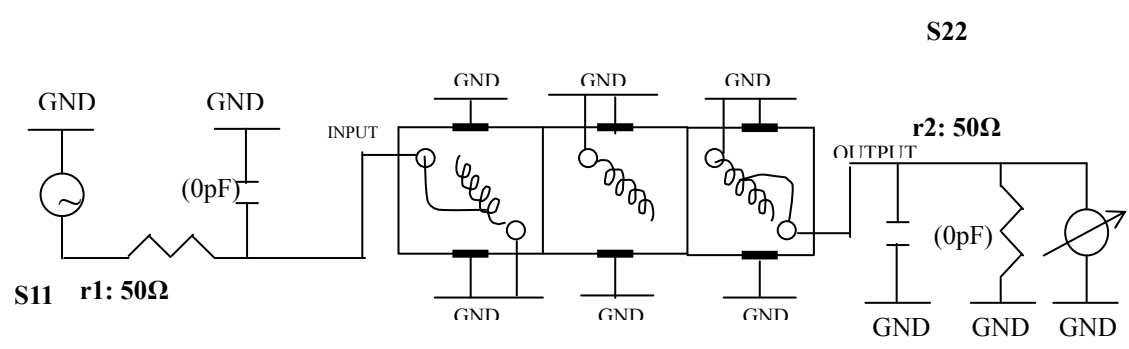
Item		Specify	Performance
Center Freq.(Fo) +/- 0.5 %		344 MHz	344 MHz
Tunable Range		344±4 MHz	344±4 MHz
Insertion Loss		Typ. 3.5 dB	2.43 dB
-1 dB Bandwidth		Typ. 8 MHz	10.8 MHz
-3 dB Bandwidth		Typ. 11 MHz	12 MHz
Sensitivity (Attenuation)	Fo - 40 MHz	Typ. 47 dBc	51 dBc
	Fo + 40 MHz	Typ. 43 dBc	44 dBc
	Fo - ()MHz	Typ. dBc	dBc
	Fo +()MHz	Typ. dBc	dBc
Return Loss		Min. 12 dB	20.6 dB
Ripple		< 1 dB	dB
Impedance		In / Out : 50 Ω	In / Out : 50 Ω

(4) Torque for Tuning Screw > 100gf · cm

(5) Temperature Condition:	
Operating Temperature	0°C ~ +60°C
Storage Temperature	-20°C ~ +70°C

(6) Input Power > 1Watt

(7) Measuring Circuit: ※Easy to match Impedance S11/S22 50Ω/ by parallel with about(0pF) / (0 pF).



(Bottom View)

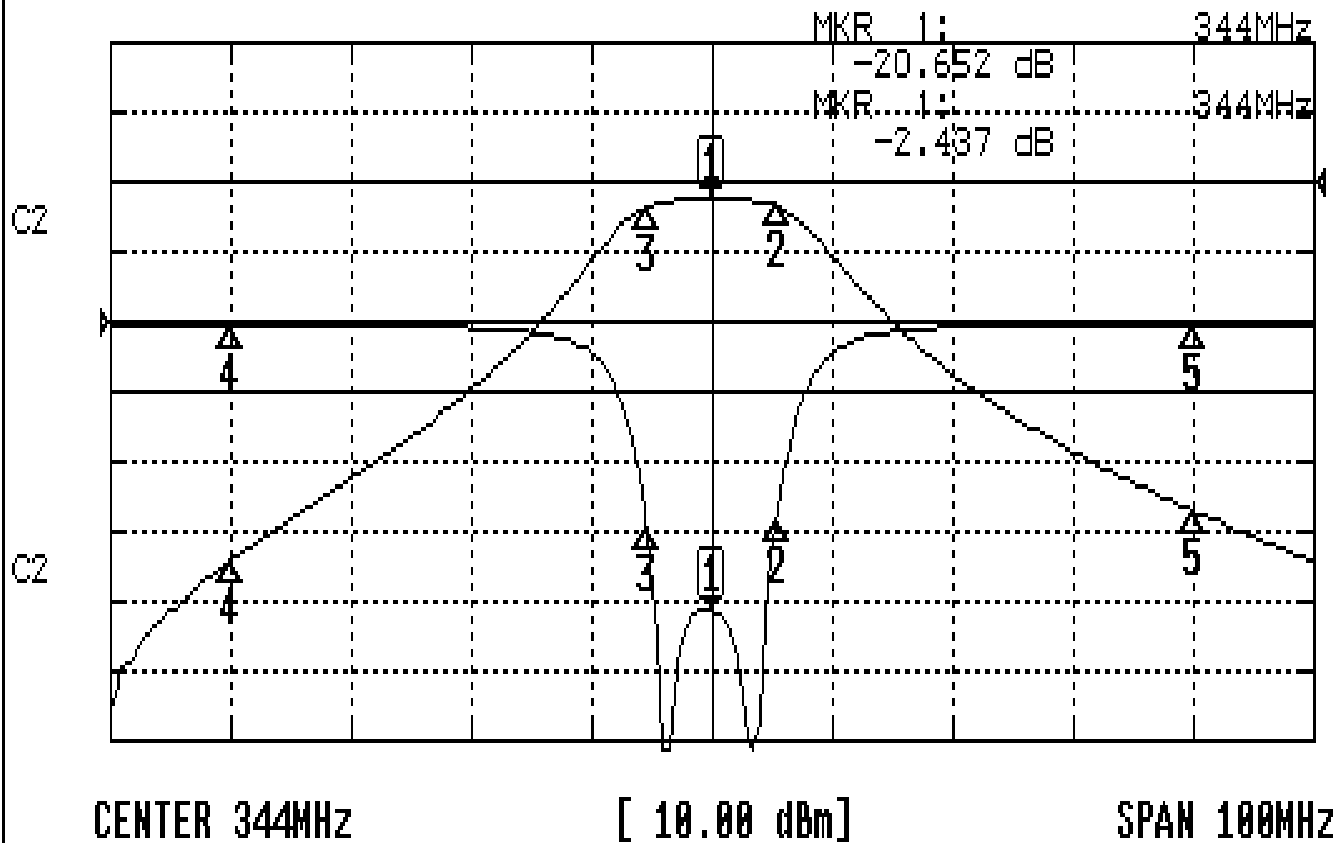
Approval	Supervisor	Designer	Aperture size
C.Y.Chang	C.S.Chang	W.W.Wang	7H3(4*6.5)F 7H046LB4 聚 3

TEMWELL CORPORATION

Performance-TT67455E-344M

20103016DC

CH1 S11 LOG MAG REF 0.000 dB 5.000 dB/
CH2 S21 LOG MAG REF 0.000 dB 10.000 dB/



CH1 MARKER LIST

Marker	Frequency (MHz)	Amplitude (dB)
1	344.000MHz	-20.653 dB
2	349.416MHz	-14.013 dB
3	338.666MHz	-14.847 dB
4	304.000MHz	-0.216 dB
5	384.000MHz	-0.188 dB

CH2 MARKER LIST

Marker	Frequency (MHz)	Amplitude (dB)
1	344.000MHz	-2.437 dB
2	349.416MHz	-3.481 dB
3	338.666MHz	-3.477 dB
4	304.000MHz	-54.085 dB
5	384.000MHz	-47.023 dB