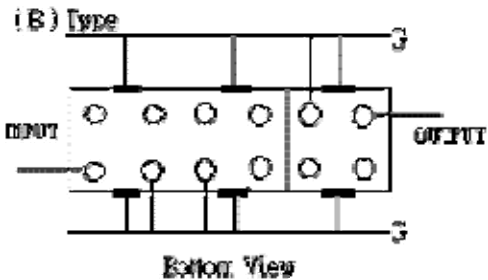
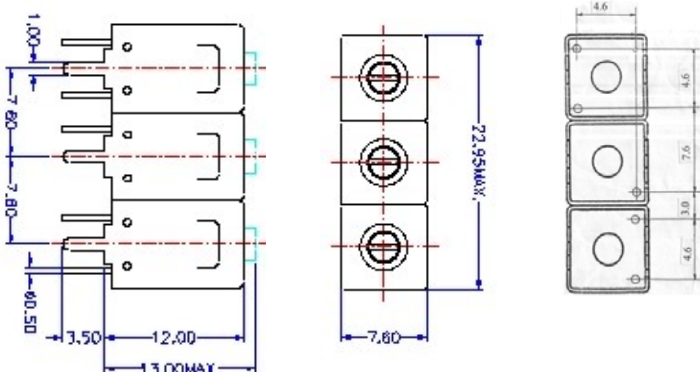


VHF UHF Helical Filter Specification Sheet

Customer Name		Temwell's Part No.	TT67452B-325M
Approval No. /dated	20103005DC	Acceptable Specify Fo. Range	276~310MHz
Work Instruction No.	20103005DC	Date	

(1)Pin Position	(2)Size Diagram
	

(3)Electric Character

Item	Specify	Performance	
Center Freq.(Fo) +/- 0.5 %	325 MHz	325 MHz	
Tunable Range	325±4 MHz	325±4 MHz	
Insertion Loss	Typ. 5 dB	3.7 dB	
-1 dB Bandwidth	Typ. 3 MHz	5 MHz	
-3 dB Bandwidth	Typ. 7 MHz	8 MHz	
Sensitivity (Attenuation)	Fo -10 MHz	Typ. 15 dBc	17 dBc
	Fo +10 MHz	Typ. 13 dBc	16 dBc
	Fo - ()MHz	Typ. dBc	dBc
	Fo +()MHz	Typ. dBc	dBc
Return Loss	Min. 12 dB	17 dB	
Ripple	< 1 dB	dB	
Impedance	In / Out : 50 Ω	In / Out : 50 Ω	

(4)Torque for Tuning Screw > 100gf • cm

(5)Temperature Condition:

Operating Temperature	0°C ~ +60°C
Storage Temperature	-20°C ~ +70°C

(6)Input Power > 1Watt

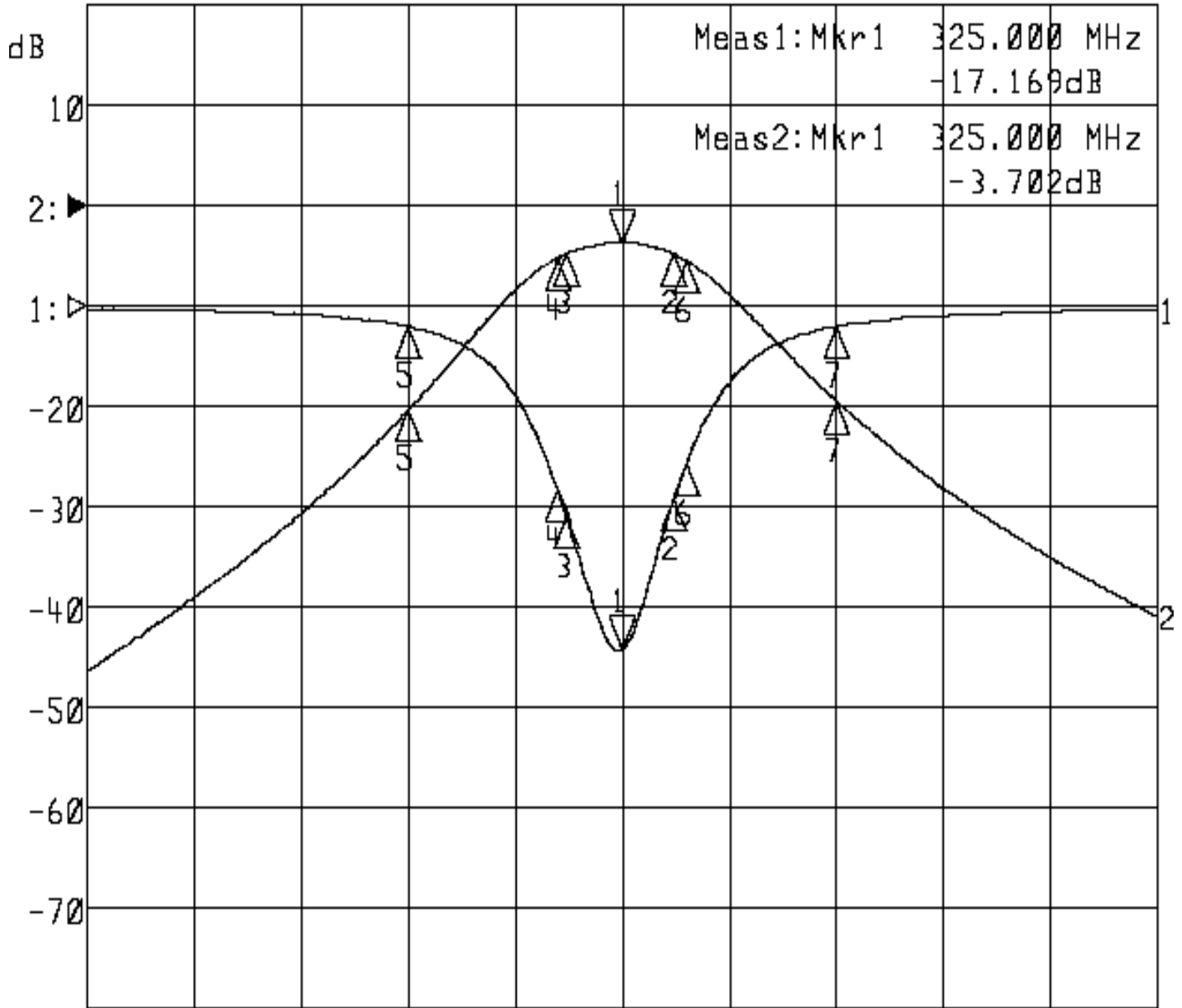
Approval	Supervisor	Designer	Aperture size
C.Y.Chang	C.S.Chang	C.S.Chang	7H3S(4*5.5)F 7H046LB4 聚 3

TEMWELL CORPORATION

Performance-TT67452B-325M

20103005DC

▶1:S11 Refl Port1 Log Mag 5.0 dB/ Ref 0.00 dB C
 ▶2:S21 Fwd Trans Log Mag 10.0 dB/ Ref 0.00 dB C



Center 325.000 MHz

Span 50.000 MHz

1: Mkr (MHz)	dB	2: Mkr (MHz)	dB
1> 325.0000	-17.169	1> 325.0000	-3.702
2: 327.4333	-9.584	2: 327.4333	-4.789
3: 322.4167	-10.497	3: 322.4167	-4.770
4: 322.0000	-9.128	4: 322.0000	-5.179
5: 315.0000	-0.961	5: 315.0000	-20.363
6: 328.0000	-7.882	6: 328.0000	-5.488
7: 335.0000	-1.018	7: 335.0000	-19.407