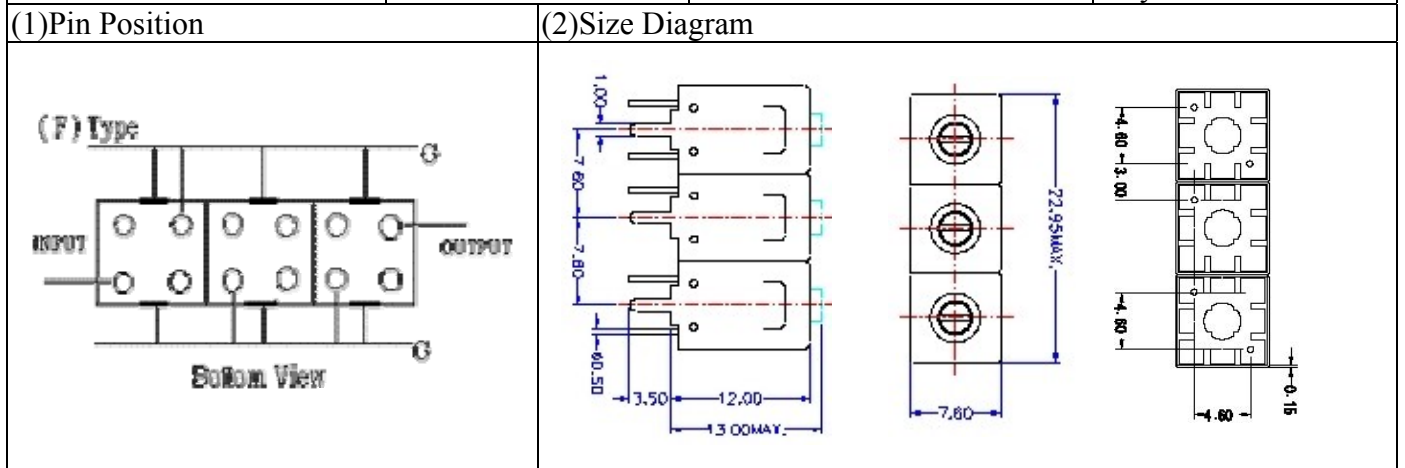


VHF UHF Helical Filter Specification Sheet

| | | | |
|----------------------|-------------|----------------------|------------------|
| Customer Name | | Temwell's Part No. | TT67450E-836.5M |
| Approval No. /dated | 0905037CD | Temwell's print name | 67450E 836.5M |
| Work Instruction No. | 200905037CD | Date | May.20.2009 |

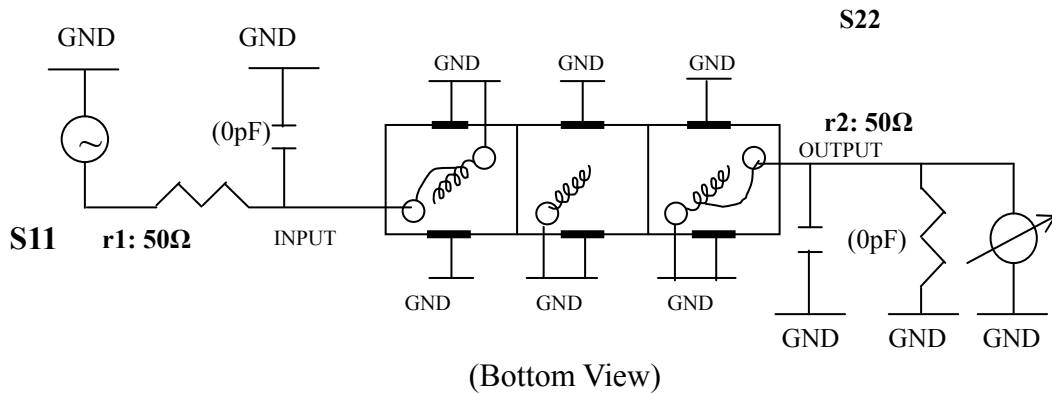


| (3) Electric Characteristic | | Item | Specify | Performance |
|------------------------------|-------------|------|-----------------|-----------------|
| Center Freq.(Fo) +/- 0.5 % | | | 836.5 MHz | 836.5 MHz |
| Insertion Loss | | Typ. | 3.0 dB | 1.66 dB |
| -3 dB Bandwidth | | Typ. | 25 MHz | 35.6 MHz |
| Sensitivity (Attenuation) | Fo - 45 MHz | Typ. | 20 dBc | 21 dBc |
| | Fo + 45 MHz | Typ. | 23 dBc | 22 dBc |
| | Fo - ()MHz | Typ. | dBc | dBc |
| | Fo +()MHz | Typ. | dBc | dBc |
| Return Loss | | Min. | 12 dB | 20.3 dB |
| Ripple | | | < 1 dB | dB |
| Impedance | | | In / Out : 50 Ω | In / Out : 50 Ω |
| (4) Torque for Tuning Screw | | | > 100gf · cm | |

| | |
|----------------------------|---------------|
| (5) Temperature Condition: | |
| Operating Temperature | 0°C ~ +60°C |
| Storage Temperature | -20°C ~ +70°C |

| | |
|-----------------|---------|
| (6) Input Power | > 1Watt |
|-----------------|---------|

(7) Measuring Circuit: ※Easy to match Impedance S11/S22 50Ω by parallel with about(0pF) / (0pF).



| | | | |
|-----------|------------|----------|-------------------------------------|
| Approval | Supervisor | Designer | Aperture size |
| C.Y.Chang | C.K.Chang | Y.H.Yeh | 7H3S(4*6.5)(6.58) 7H046LB4.3 聚 3 |

TEMWELL CORPORATION

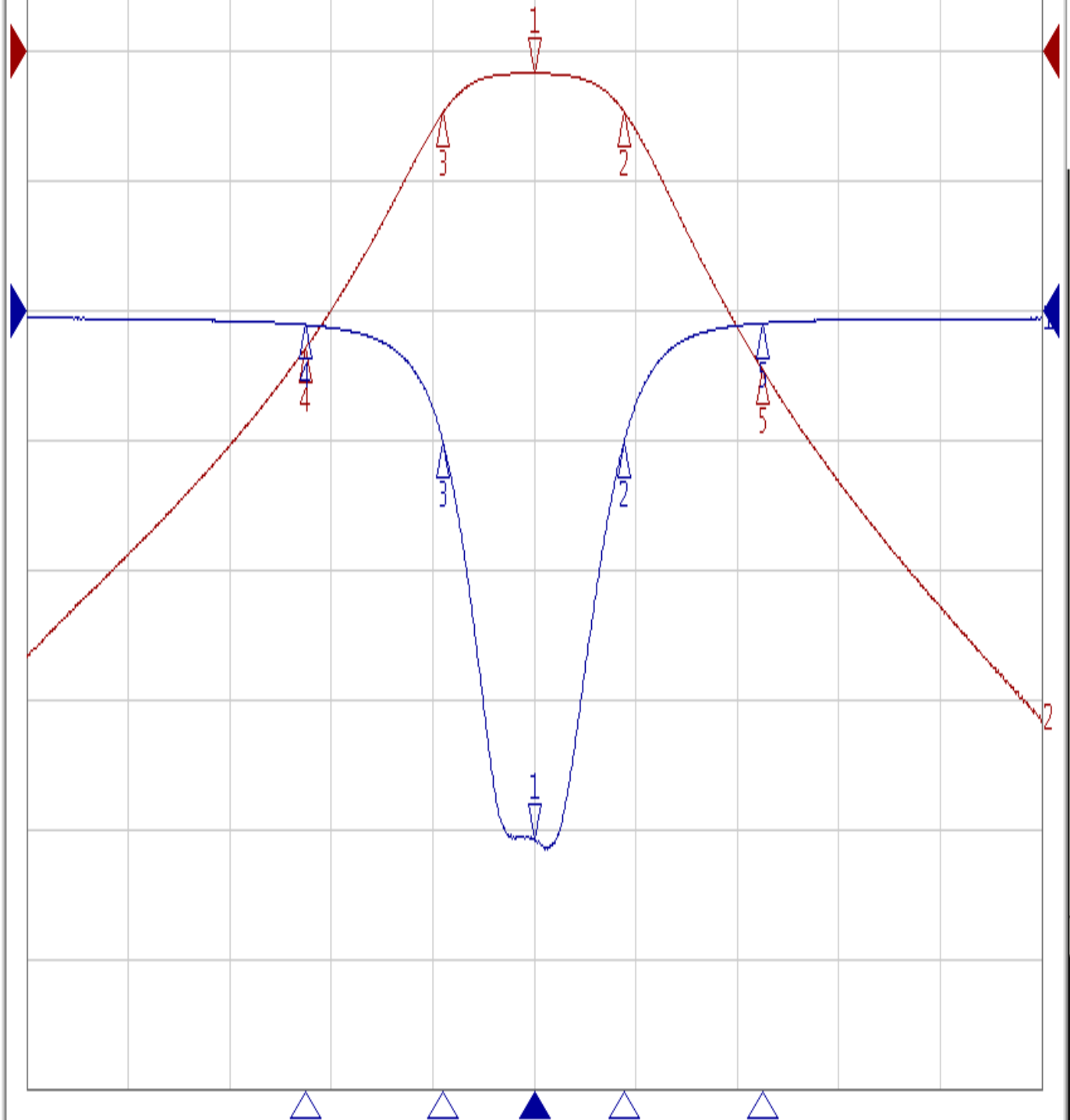
Performance-TT67450E-836.5M

200905037CD

Tr1 S11 Log Mag 5.000dB/ Ref 0.000dB [F2]
Tr2 S21 Log Mag 10.00dB/ Ref 0.000dB [F2]

| | | | | |
|----|-----------|-----|---------|----|
| >1 | 836.50000 | MHz | -20.392 | dB |
| 2 | 854.19800 | MHz | -5.0641 | dB |
| 3 | 818.56833 | MHz | -5.0736 | dB |
| 4 | 791.50000 | MHz | -0.5319 | dB |
| 5 | 881.50000 | MHz | -0.4682 | dB |

| | | | | |
|---|-----------|-----|---------|----|
| 1 | 836.50000 | MHz | -1.6600 | dB |
| 2 | 854.19800 | MHz | -4.6353 | dB |
| 3 | 818.56833 | MHz | -4.6783 | dB |
| 4 | 791.50000 | MHz | -22.828 | dB |
| 5 | 881.50000 | MHz | -24.532 | dB |



1 Center 836.5 MHz

IFBW 10 kHz

Span 200 MHz Cor !