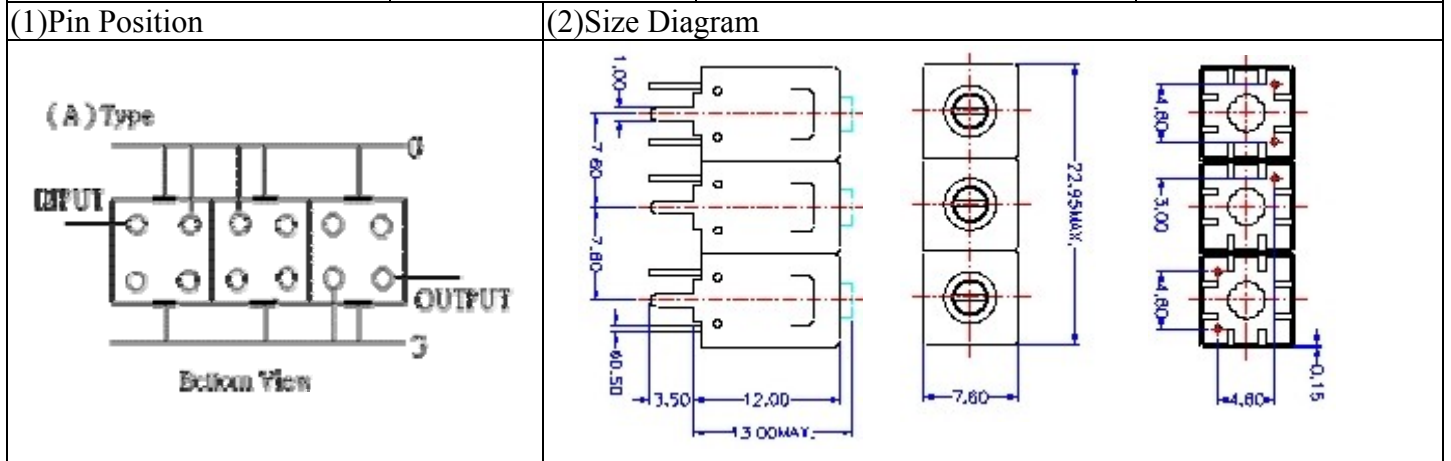


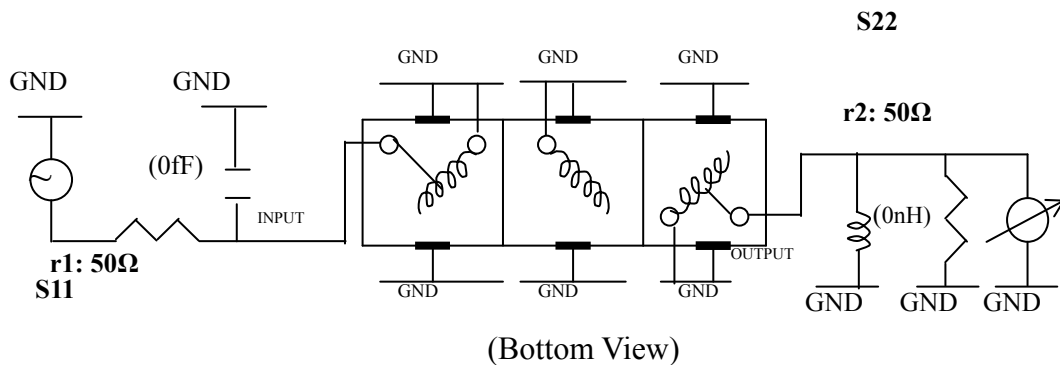
VHF UHF Helical Filter Specification Sheet

Customer Name		Temwell's Part No.	TT67449A-902.5M
Approval No. /dated	20102058DC	Acceptable Specify Fo Range	901~930MHz
Work Instruction No.	20102058DC	Date	Nov.27.2007



(3) Electric Characteristic			
Item	Specify	Performance	
Center Freq.(Fo) +/- 0.5 %	902.5 MHz	902.5 MHz	
Tunable Range	902.5±10 MHz	902.5±10 MHz	
Insertion Loss	Typ. 3.0 dB	1.92 dB	
-3 dB Bandwidth	Typ. 30 MHz	35.6 MHz	
Sensitivity (Attenuation)	Fo - 50 MHz	Typ. 28 dBc	31 dBc
	Fo + 50 MHz	Typ. 17 dBc	20 dBc
	Fo - ()MHz	Typ. dBc	dBc
	Fo + ()MHz	Typ. dBc	dBc
Return Loss	Min. 12 dB	23.5 dB	
Ripple	< 1 dB	dB	
Impedance	In / Out : 50 Ω	In / Out : 50 Ω	
(4) Torque for Tuning Screw	> 100gf • cm		
(5) Temperature Condition:			
Operating Temperature	0°C ~ +60°C		
Storage Temperature	-20°C ~ +70°C		
(6) Input Power	> 1Watt		

(7) Measuring Circuit: ※Easy to match Impedance S11/S22 50Ω by parallel with about(0 fF) / (0 nH).

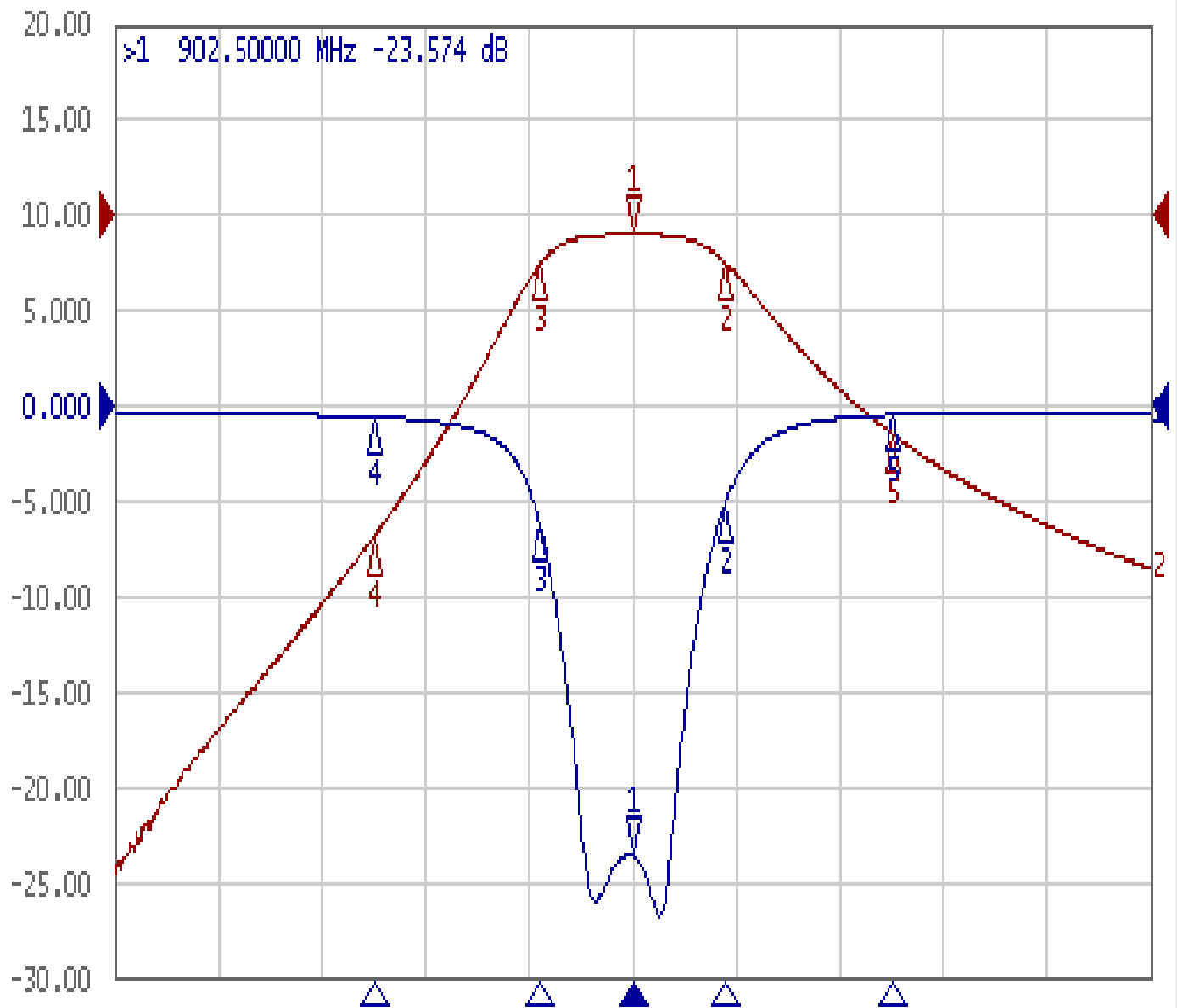


Approval	Supervisor	Designer	Aperture size
C.Y.Chang	C.S.Chang	C.S.Chang	7H3(4*7.5)F 7H046LB4 聚 3
TEMWELL CORPORATION			

Performance-TT67449A-902.5M

20102058DC

▶ Tr1 S11 Log Mag 5.000dB/ Ref 0.000dB [F2]
Tr2 S21 Log Mag 10.00dB/ Ref 0.000dB [F2]



1 Center 902.5 MHz

IFBW 10 kHz

Span 200 MHz

Cor !

Ch1	Tr1	S11	>1	902.50000	MHz	-23.574	dB
Ch1	Tr1	S11	2	920.24700	MHz	-5.1833	dB
Ch1	Tr1	S11	3	884.60250	MHz	-6.2134	dB
Ch1	Tr1	S11	4	852.50000	MHz	-0.5633	dB
Ch1	Tr1	S11	5	952.50000	MHz	-0.4454	dB
Ch1	Tr2	S21	1	902.50000	MHz	-1.9297	dB
Ch1	Tr2	S21	2	920.24700	MHz	-4.8562	dB
Ch1	Tr2	S21	3	884.60250	MHz	-5.0737	dB
Ch1	Tr2	S21	4	852.50000	MHz	-33.699	dB
Ch1	Tr2	S21	5	952.50000	MHz	-22.887	dB