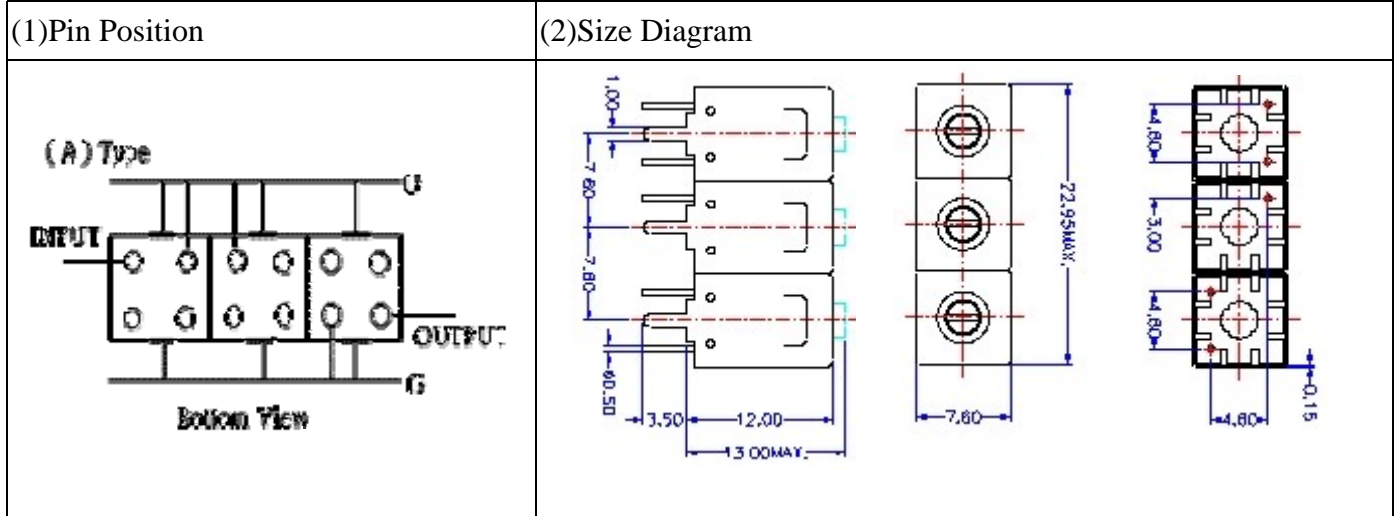


VHF UHF Helical Filter Specification Sheet

Customer Name		Temwell's Part No.	TT67447A-895.5M
Approval No. /dated	20102054DC	Acceptable Specify Fo. Range	861~900MHz
Work Instruction No.	20102054DC	Date	



(3) Electric Character			
Item	Specify	Performance	
Center Freq.(Fo) +/- 0.5 %	895.5 MHz	895.5 MHz	
Tunable Range	895.5±5 MHz	895.5±5 MHz	
Insertion Loss	Typ. 2.0 dB	1.8 dB	
-3 dB Bandwidth	Typ. 35 MHz	45 MHz	
Sensitivity (Attenuation)	Fo -50 MHz	Typ. 15 dBc	18 dBc
	Fo +95 MHz	Typ. 29 dBc	32 dBc
	Fo - ()MHz	Typ. dBc	dBc
	Fo +()MHz	Typ. dBc	dBc
Return Loss	Min. 12 dB	15.1 dB	
Ripple	< 1 dB	dB	
Impedance	In / Out : 50 Ω	In / Out : 50 Ω	

(4) Torque for Tuning Screw > 100gf • cm

(5) Temperature Condition:	
Operating Temperature	0°C ~ +60°C
Storage Temperature	-20°C ~ +70°C

(6) Input Power > 1Watt

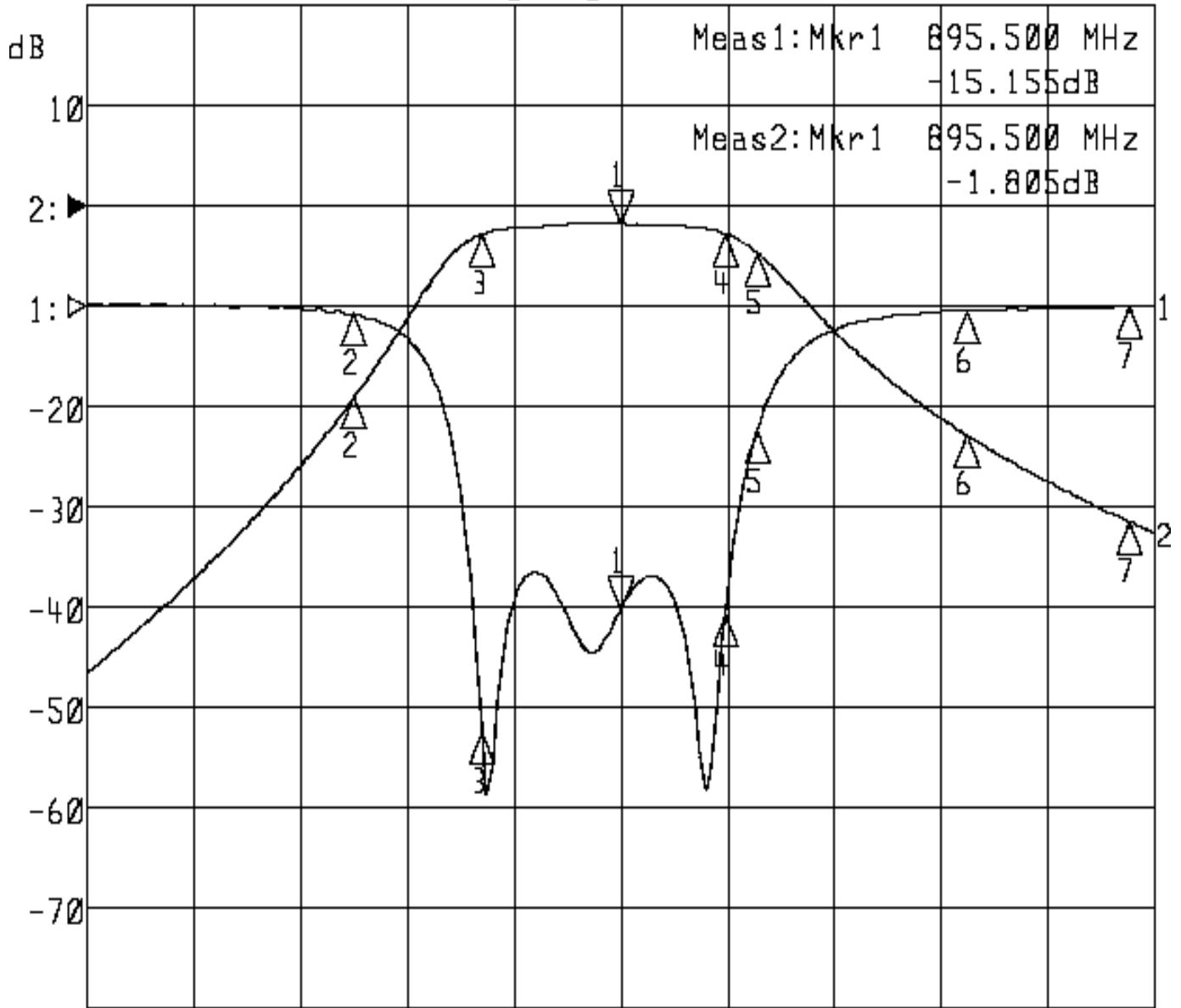
Approval	Supervisor	Designer	Aperture size
C.Y.Chang	C.S.Chang	C.S.Chang	7H3S(4*6.5)F 7H046LB5

TEMWELL CORPORATION

Performance-TT67447A-895.5M

20102054DC

▶1:S11 Refl Port1 Log Mag 5.0 dB/ Ref 0.00 dB C
 ▶2:S21 Fwd Trans Log Mag 10.0 dB/ Ref 0.00 dB C



Center 895.500 MHz

Span 200.000 MHz

1:Mkr (MHz)	dB	2:Mkr (MHz)	dB
1> 895.5000	-15.155	1> 895.5000	-1.805
2: 845.5000	-0.388	2: 845.5000	-19.109
3: 869.6000	-21.207	3: 869.6000	-2.754
4: 915.0000	-15.424	4: 915.0000	-2.740
5: 921.0000	-6.218	5: 921.0000	-4.667
6: 960.0000	-0.222	6: 960.0000	-22.746
7: 990.5000	0.002	7: 990.5000	-31.396