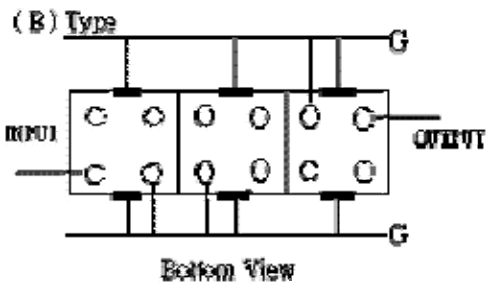
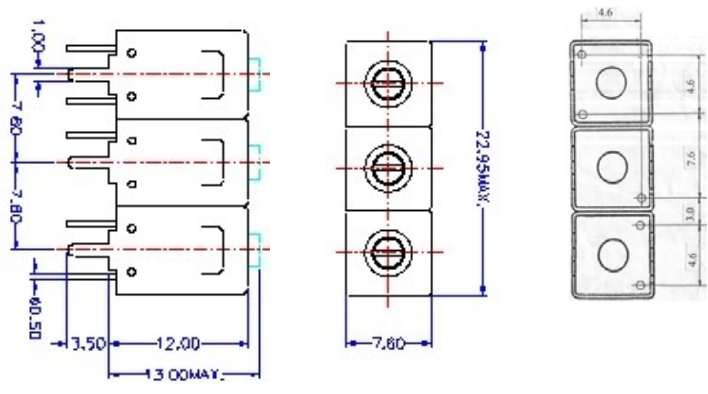


VHF UHF Helical Filter Specification Sheet

Customer Name		Temwell's Part No.	TT67444B-149M
Approval No. /dated	20203044DB	Acceptable Specify Fo. Range	146~165MHz
Work Instruction No.	20203044DB	Date	Mar.19.2003

<p>(1) Pin Position</p>  <p style="text-align: center;">Bottom View</p>	<p>(2) Size Diagram</p> 
--	--

(3) Electric Character			
Item	Specify	Performance	
Center Freq.(Fo) +/- 0.5 %	149 MHz	149 MHz	
Tunable Range	149±2 MHz	149±2 MHz	
Insertion Loss	Typ. 2.0 dB	1.1 dB	
-3 dB Bandwidth	Typ. 32 MHz	33 MHz	
Sensitivity (Attenuation)	Fo - 50 MHz	Typ. 40 dBc	42 dBc
	Fo + 50 MHz	Typ. 27 dBc	29 dBc
	Fo - ()MHz	Typ. dBc	dBc
	Fo +()MHz	Typ. dBc	dBc
Return Loss	Min. 12 dB	23 dB	
Ripple	< 1 dB	dB	
Impedance	In / Out : 50 Ω	In / Out : 50 Ω	

(4) Torque for Tuning Screw	> 100gf · cm
-----------------------------	--------------

(5) Temperature Condition:	
Operating Temperature	0°C ~ +60°C
Storage Temperature	-20°C ~ +70°C

(6) Input Power	> 1Watt
-----------------	---------

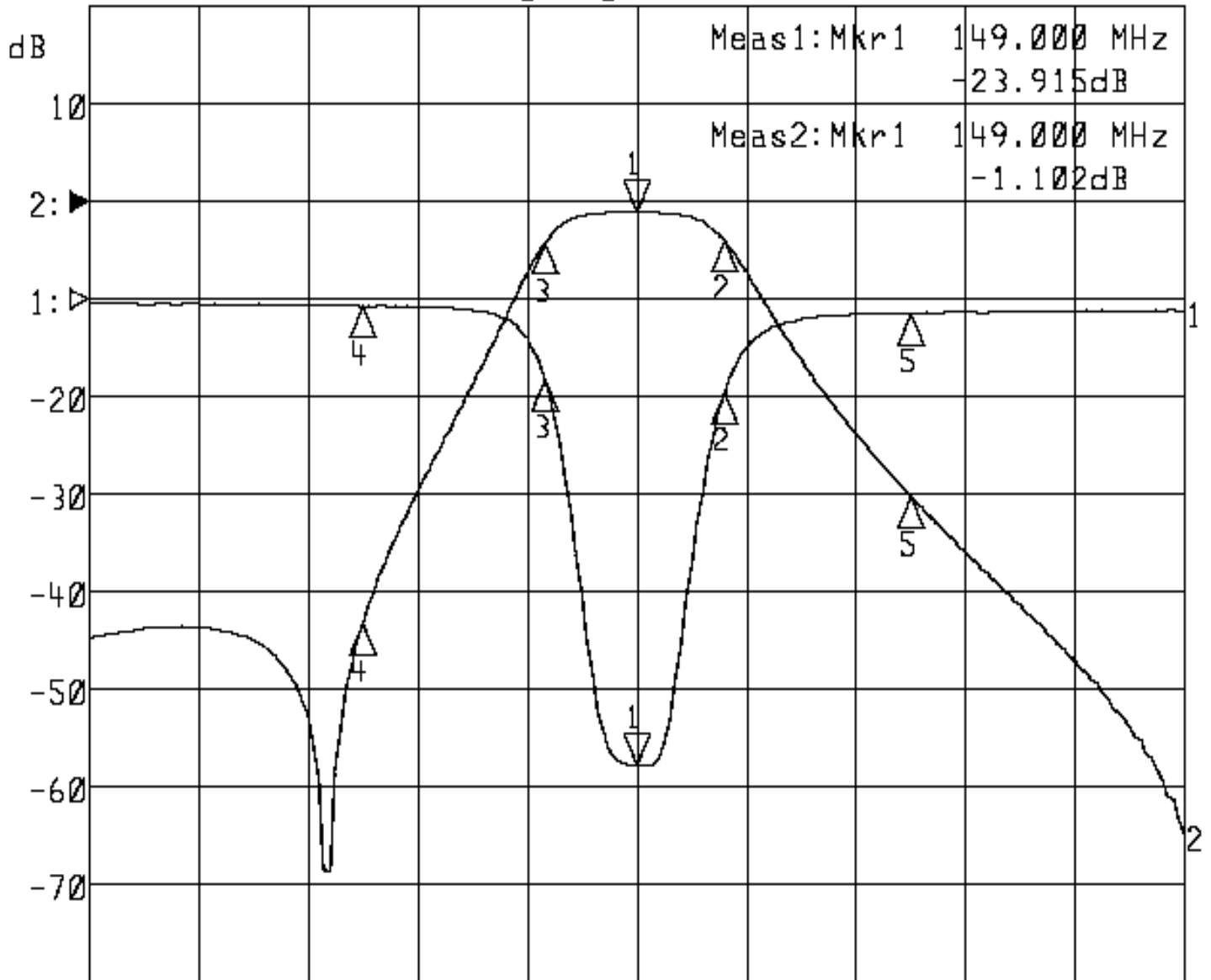
Approval	Supervisor	Designer	Aperture size
C.Y. Chang	C.S. Chang	C.S. Chang	7H3S(4*8.0)F 7H00LB6

TEMWELL CORPORATION

Performance-TT67444B-149M

20203044DB

▶1:S11 Refl Port1 Log Mag 5.0 dB/ Ref 0.00 dB C
▶2:S21 Fwd Trans Log Mag 10.0 dB/ Ref 0.00 dB C



Center 149.000 MHz

Span 200.000 MHz

1:Mkr (MHz)	dB	2:Mkr (MHz)	dB
1> 149.0000	-23.915	1> 149.0000	-1.102
2: 165.1333	-4.714	2: 165.1333	-4.107
3: 132.3333	-4.183	3: 132.3333	-4.181
4: 99.0000	-0.395	4: 99.0000	-43.193
5: 199.0000	-0.737	5: 199.0000	-30.154