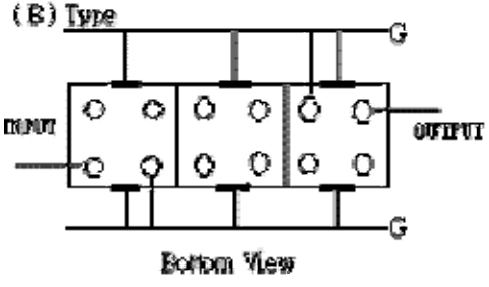
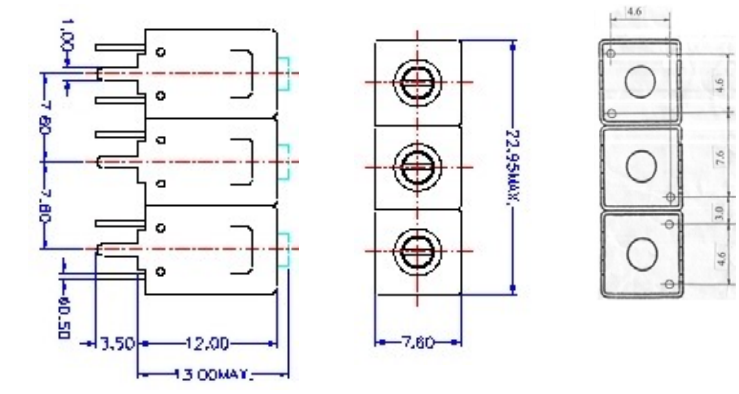


VHF UHF Helical Filter Specification Sheet

Customer Name		Temwell's Part No.	TT67442B-113.5M
Approval No. /dated	20012028DB	Acceptable Specify Fo. Range	108~125MHz
Work Instruction No.	20012028DB	Date	

<p>(1) Pin Position</p>  <p style="text-align: center;">Bottom View</p>	<p>(2) Size Diagram</p> 
---	--

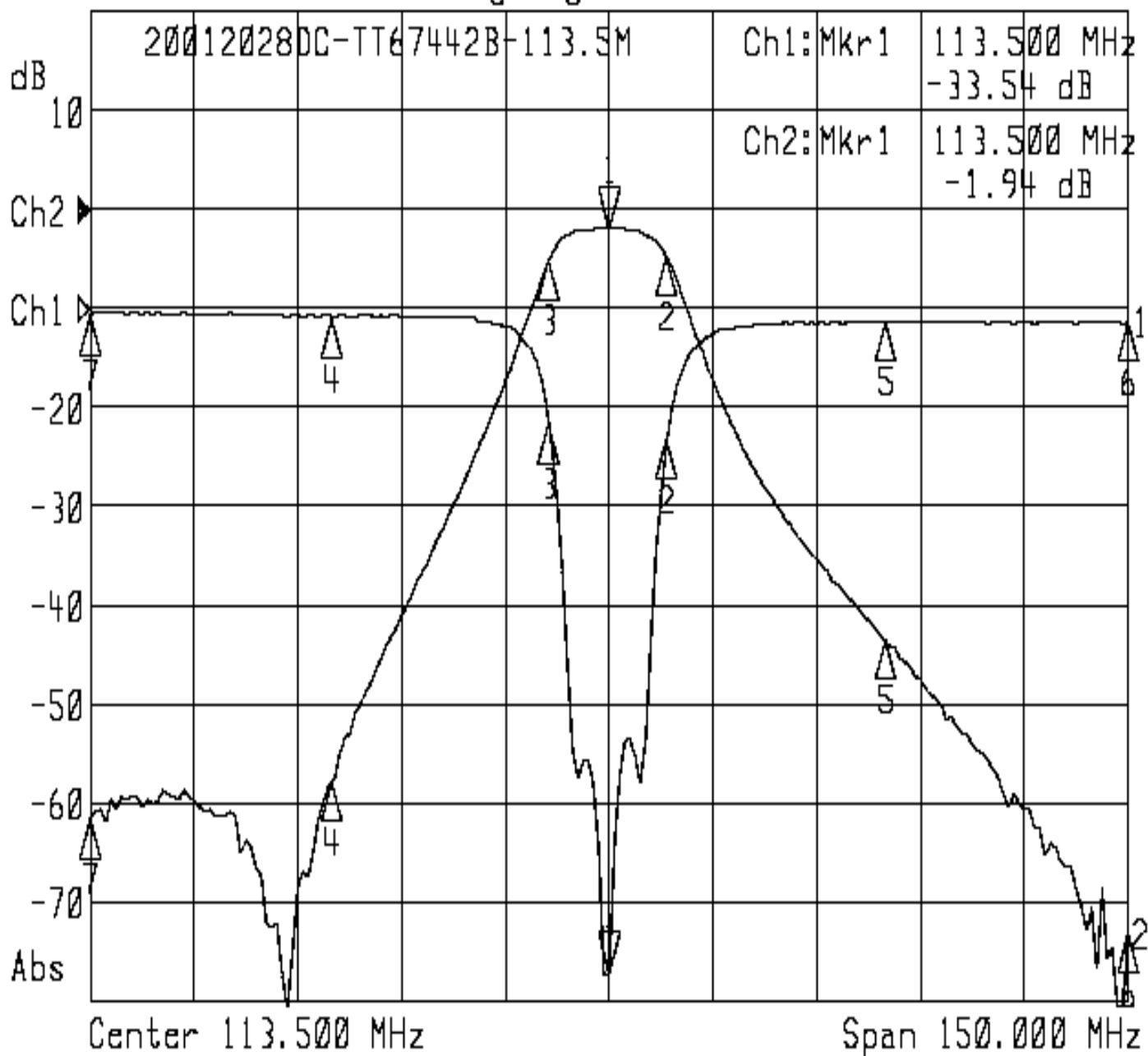
(3) Electric Character			
Item	Specify	Performance	
Center Freq.(Fo) +/- 0.5 %	113.5 MHz	113.5 MHz	
Tunable Range	113.5±2 MHz	113.5±2 MHz	
Insertion Loss	Typ. 3.0 dB	1.9 dB	
-3 dB Bandwidth	Typ. 15 MHz	17.0 MHz	
Sensitivity (Attenuation)	Fo -75 MHz	Typ. 56 dBc	59 dBc
	Fo +75 MHz	Typ. 68 dBc	71 dBc
	Fo - ()MHz	Typ. dBc	dBc
	Fo +()MHz	Typ. dBc	dBc
Return Loss	Min. 12 dB	33.5 dB	
Ripple	< 1 dB	dB	
Impedance	In / Out : 50 Ω	In / Out : 50 Ω	
(4) Torque for Tuning Screw	> 100gf • cm		
(5) Temperature Condition:			
Operating Temperature	0°C ~ +60°C		
Storage Temperature	-20°C ~ +70°C		
(6) Input Power	> 1Watt		
Approval	Supervisor	Designer	Aperture size
C.Y. Chang	C.S. Chang	C.S. Chang	7H3S(4*5.5)F 7H00LB6

TEMWELL CORPORATION

Performance-TT67442B-113.5M

20012028DC

▶1: Reflection Log Mag 5.0 dB/ Ref 0.00 dB C
 ▶2: Transmission Log Mag 10.0 dB/ Ref 0.00 dB C



1: Mkr (MHz)		dB	2: Mkr (MHz)		dB
1>	113.50	-33.54	1>	113.50	-1.94
2:	121.90	-6.49	2:	121.90	-4.83
3:	104.81	-5.76	3:	104.81	-5.10
4:	73.50	-0.41	4:	73.50	-57.72
5:	153.50	-0.61	5:	153.50	-43.57
6:	188.50	-0.65	6:	188.50	-73.21
7:	38.50	-0.29	7:	38.50	-61.56