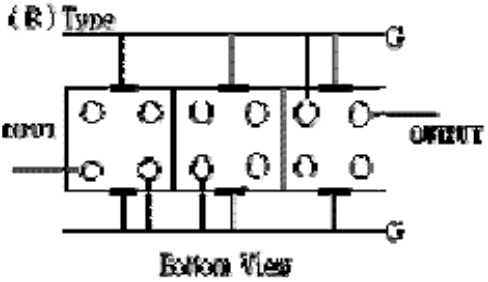
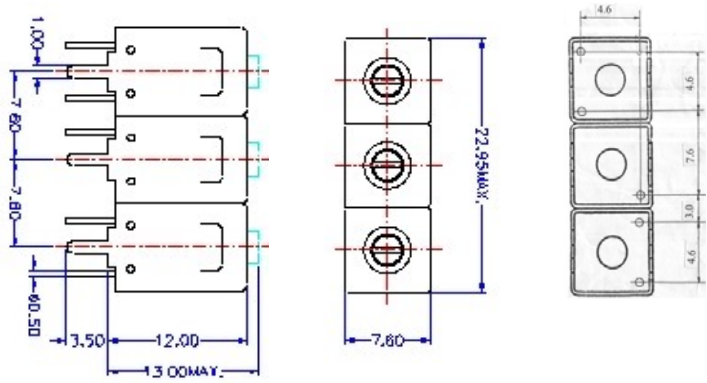


VHF UHF Helical Filter Specification Sheet

Customer Name		Temwell's Part No.	TT67440B-318M
Approval No. /dated	20011053DC	Acceptable Specify Fo. Range	311~355MHz
Work Instruction No.	20011053DC	Date	

(1)Pin Position	(2)Size Diagram
 <p>(R) Type Bottom View</p>	

(3)Electric Character

Item	Specify	Performance
Center Freq.(Fo) +/- 0.75 %	318 MHz	318 MHz
Tunable Range	318±4 MHz	318±4 MHz
Insertion Loss	Typ. 2.5 dB	1.3 dB
-3 dB Bandwidth	Typ. 25 MHz	27 MHz
Sensitivity (Attenuation)	Fo -50 MHz	Typ. 42 dBc
	Fo +50 MHz	Typ. 29 dBc
	Fo - ()MHz	Typ. dBc
	Fo +()MHz	Typ. dBc
Return Loss	Min. 12 dB	35 dB
Ripple	< 1 dB	dB
Impedance	In / Out : 50 Ω	In / Out : 50 Ω
(4)Torque for Tuning Screw	> 100gf · cm	

(5)Temperature Condition:

Operating Temperature	-30°C ~ +70°C
Storage Temperature	-30°C ~ +80°C

(6)Input Power

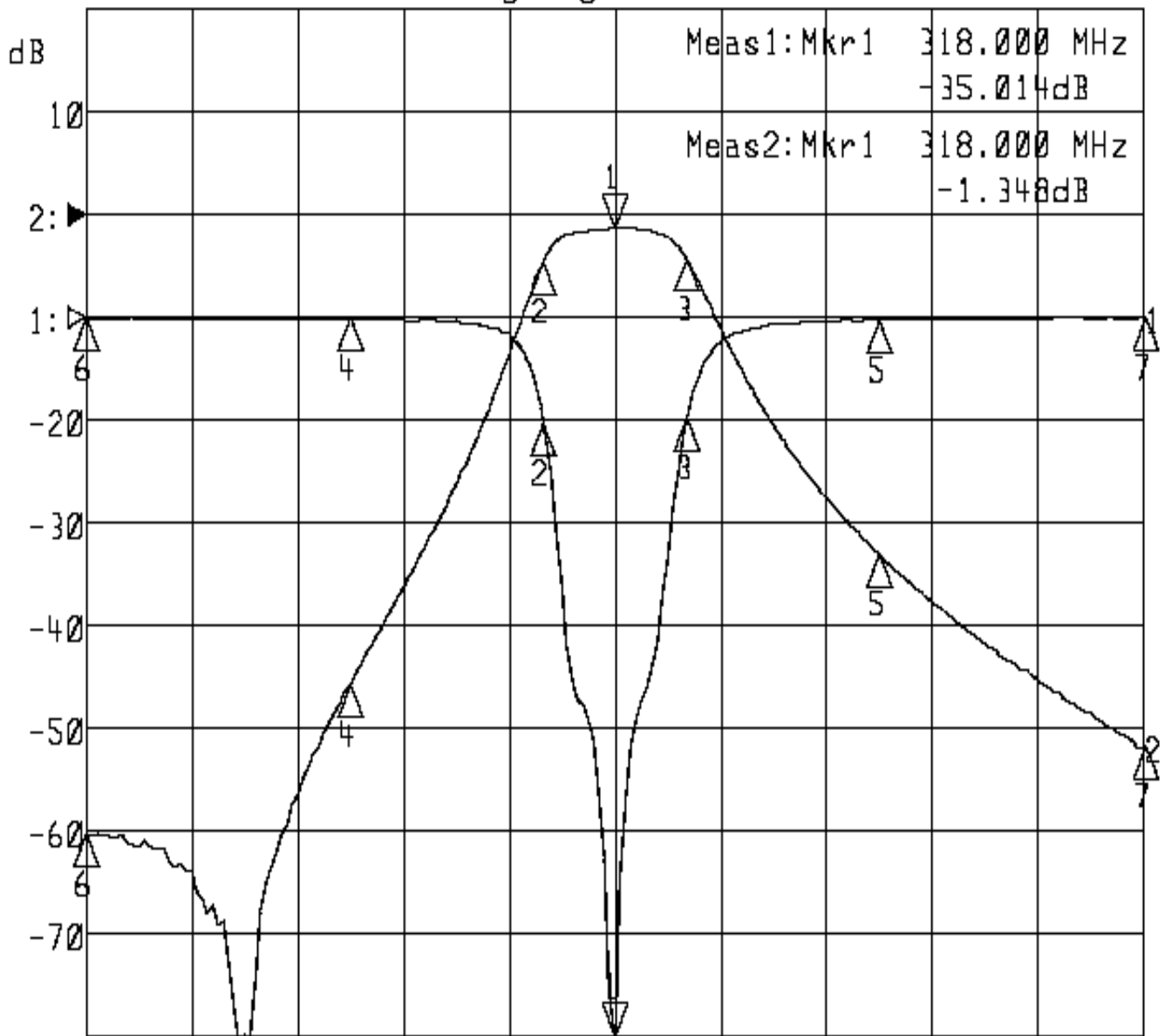
		> 1Watt
Approval	Supervisor	Designer
C.Y.Chang	C.S.Chang	C.S.Chang
		Aperture size
		7H3S(4*5.5)F 7H046LB5

TEMWELL CORPORATION

Performance-TT67440B-318M

20011053DC

►1:S11 Refl Port1 Log Mag 5.0 dB/ Ref 0.00 dB C
►2:S21 Fwd Trans Log Mag 10.0 dB/ Ref 0.00 dB C



Center 318.000 MHz

Span 200.000 MHz

1:Mkr (MHz)	dB	2:Mkr (MHz)	dB
1> 318.0000	-35.014	1> 318.0000	-1.348
2: 304.6000	-5.135	2: 304.6000	-4.300
3: 331.6667	-4.849	3: 331.6667	-4.310
4: 268.0000	-0.048	4: 268.0000	-45.845
5: 368.0000	-0.172	5: 368.0000	-33.050
6: 218.0000	-0.061	6: 218.0000	-60.230
7: 418.0000	-0.026	7: 418.0000	-51.865